

DATA SHEET

Premium Efficiency Motor: **LAM20-36-256TC**

60 Hz

WorldWide Electric Corporation

1 (800) 808-2131

Worldwideelectric.net



Document Generated: 14-Sep-2023
Document ID:

Customer:

MOTOR INFORMATION	
HP	20
RPM	3600
Phase	3
Frequency	60 Hz
Voltage	230/460
Frame Size	254/6TC
Enclosure	TEFC
Degree of Protection	IP55
Service Factor	1.25
Poles	2
Full Load Speed	3510
Insulation Class	F
Temp Rise	80°C
NEMA Code Letter	G
Duty Cycle	S1 / Continuous
Slip	2.50%
NEMA Design	B
Moment of Inertia	1.247 lb.ft.^2
Locked Rotor Time (Hot)	12 seconds
Sound Pressure Level	94 dB(A)
Number of Starts	2 Cold/1 Hot
Max Ambient Temperature	40°C
Max Elevation	1000 m.a.s.l (3300 f.a.s.l)
Mounting	F1
Rotation	Bi-Directional
Area of Classification	Class 1 Division 2 Groups A,B,C,D T3B
Inverter Rating	10:1 CT / 20:1 VT
Standard	NEMA MG-1
Approvals	UL, CE, IEEE45, ABS

EFFICIENCY/POWER FACTOR		
LOAD	EFF	P. F.
100%	91.0 %	0.93
75%	91.8 %	0.92
50%	91.3 %	0.9

TORQUE		
FULL LOAD	LRT	BDT
29.9 lb.ft.	394 %	561 %

AMPERAGE INFORMATION		
	230V	460V
Full Load Amps	44.6A	22.3
Locked Rotor Amps	309.2A	154.6A
No Load Current	7.6A	3.8A
Usable at 208V		49.3 A

BEARING INFORMATION	
DE Bearing	6309 C3
ODE Bearing	6307 C3
Grease Type	Mobil Polyrex EM
DE Regreasing Interval	2400 Hours
ODE Regreasing Interval	3600 Hours
Grease Quantity	13g/8g

ADDITIONAL DATA	
F2 Suitable	Yes
Shaft Material	AISI 1045
Connection Diagram	9 Lead Wye
Approximate Weight	306 lbs.

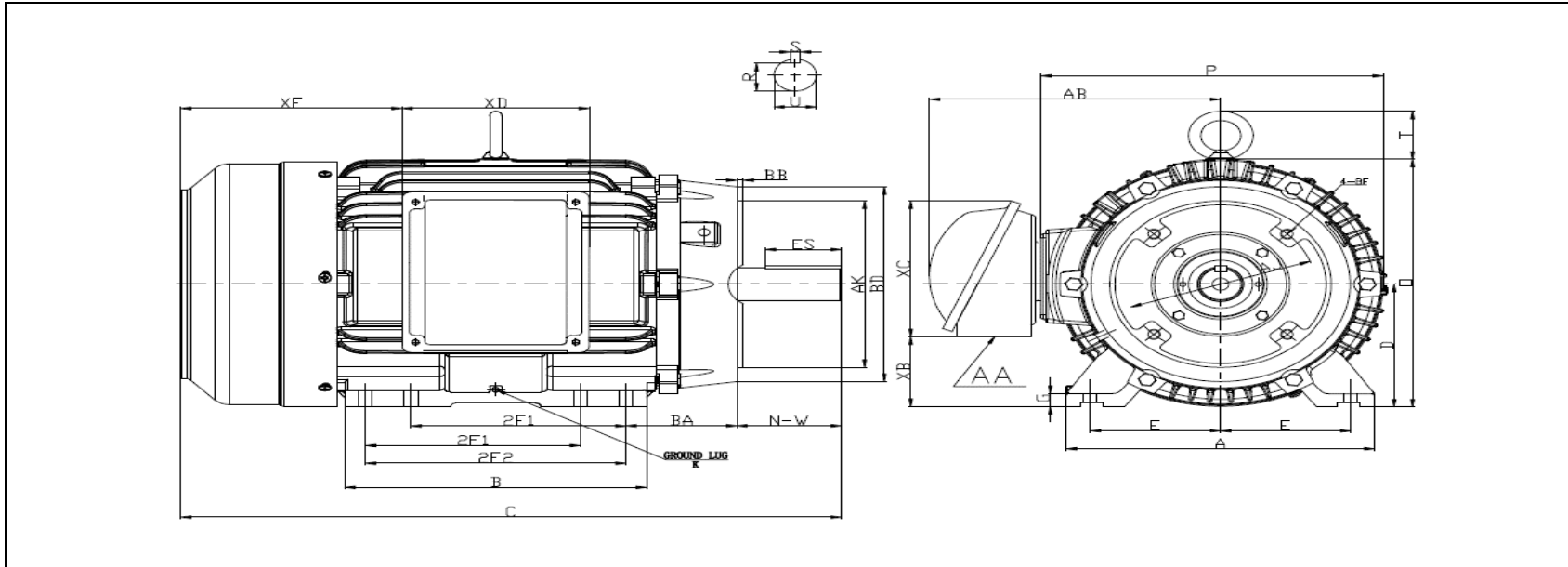
MOTOR DRAWING

Premium Efficiency Motor: **LAM20-36-256TC**

WorldWide Electric Corporation

1 (800) 808-2131

Worldwideelectric.net



DIMENSION - INCHES

MOUNTING					A	B	C	D	G	P	O	T	AB
E	2F1	2F2	H	BA									
5	8.25	10	0.53	4.25	11.8	11.57	25.39	6.25	0.669	13.46	12.68	2.03	10.57

SHAFT & KEY				
S	ES	R	N-W	U
0.375	2.91	1.416	4	1.625

TERMINAL BOX				
AA	XB	XC	XD	XE
1-1/2 NPT	2.86	7.2	5.8	8.1

GROUND LUG
M8

FLANGE				
AK	BD	AJ	BF	BB
8.5	10	7.25	4*1/2-13	0.25

PERFORMANCE CURVES

WorldWide Electric Corporation

1 (800) 808-2131

Worldwideelectric.net



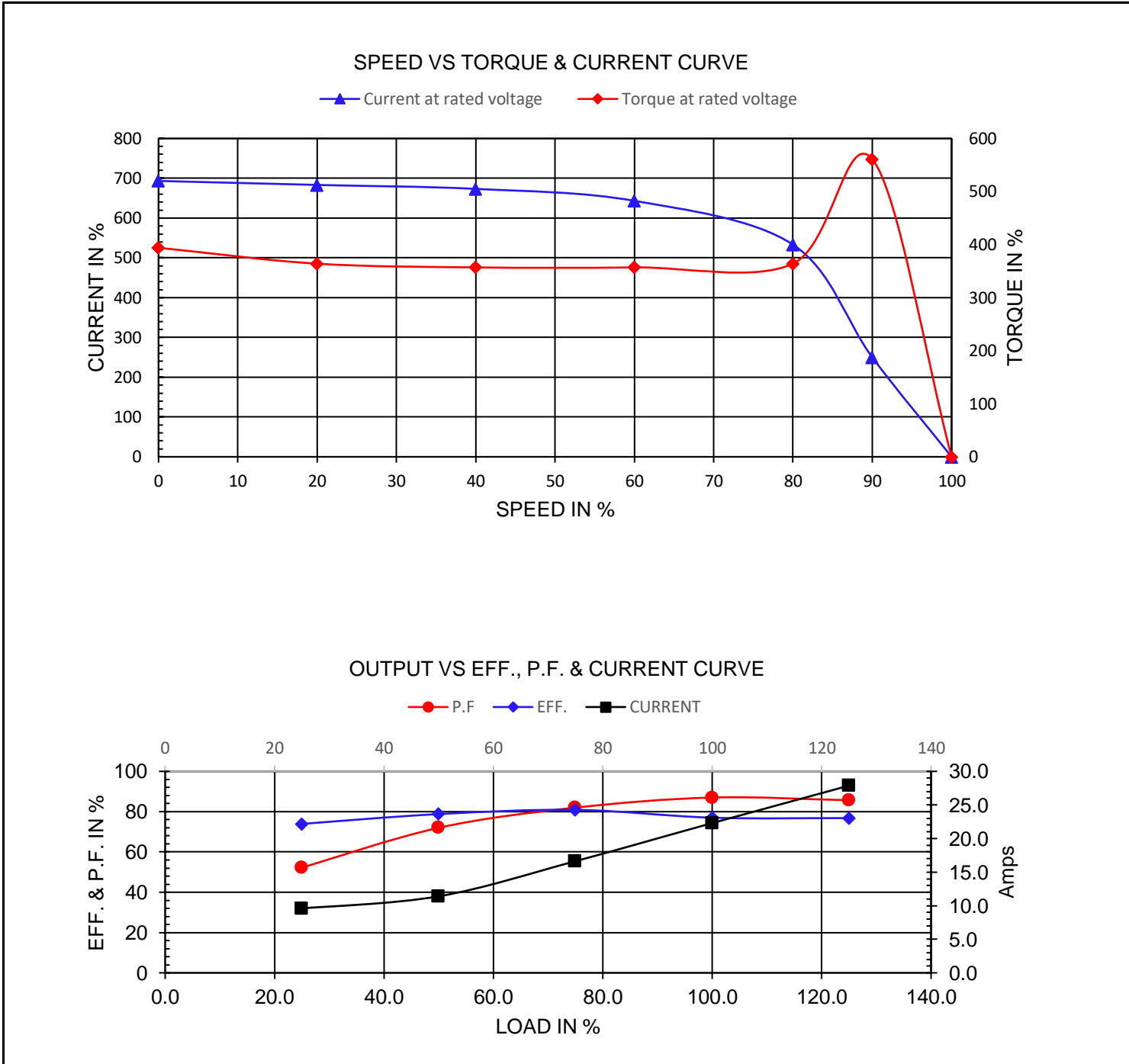
Premium Efficiency Motor:

LAM20-36-256TC

Document Generated: 14-Sep-2023
Document ID:

Customer:

Motor Type	LAM		FL Speed	3510	
Output Rating (HP)	20		LRT (%FLT)	394	460 volt FLA 22.3
Full Load Torque	29.9 lb.ft		BDT (%FLT)	561	230 volt FLA 44.6A
Rotor Wk ²	1.247 lb-ft ²				



NAMEPLATE / WIRING

Premium Efficiency Motor: **LAM20-36-256TC**

WorldWide Electric Corporation

1 (800) 808-2131

Worldwideelectric.net



Document Generated: 14-Sep-2023
Document ID:

Customer:

SAMPLE NAMEPLATE DATA

		THREE PHASE SEVERE DUTY MOTOR IEEE45																																					
Model :		Encl :	Type :		SN :			<table border="0"> <tr><td>4</td><td>5</td><td>6</td></tr> <tr><td>7</td><td>8</td><td>9</td></tr> <tr><td>1</td><td>2</td><td>3</td></tr> <tr><td>L1</td><td>L2</td><td>L3</td></tr> <tr><td colspan="3" style="text-align: center;">230 V</td></tr> <tr><td>7</td><td>8</td><td>9</td></tr> <tr><td>4</td><td>5</td><td>6</td></tr> <tr><td>1</td><td>2</td><td>3</td></tr> <tr><td>L1</td><td>L2</td><td>L3</td></tr> <tr><td colspan="3" style="text-align: center;">460 V</td></tr> </table>		4	5	6	7	8	9	1	2	3	L1	L2	L3	230 V			7	8	9	4	5	6	1	2	3	L1	L2	L3	460 V		
4	5	6																																					
7	8	9																																					
1	2	3																																					
L1	L2	L3																																					
230 V																																							
7	8	9																																					
4	5	6																																					
1	2	3																																					
L1	L2	L3																																					
460 V																																							
HP :	Poles :	FR:	Ins:	Duty: Cont	IP :	Max Amb 40°C																																	
Hz :	CODE :		Hz :		Design :																																		
Volts :	P.F :		Volts :		DE BRG :																																		
Amps :	Eff :		Amps :		ODE BRG :																																		
RPM :	S.F :		RPM :		WT :																																		
			S.F :		Date :																																		
CC306B					LOUIS ALLIS A WORLDWIDE ELECTRIC COMPANY				UL certified Class I, Division II, Groups A,B,C,D T3B																														

Model:	LAM20-36-256TC	Encl:	TEFC	Type:	AEH3	
HP:	20	Poles	2	FR:	254/6TC	Ins: F
Hz:	60	CODE:	G	Hz	50	HP: 20
Volts:	230/460	P.F:	0.93	Volts:	190/380	Design: B
Amps:	44.6/22.3	Eff:	0.91	Amps	56.2/28.1	DE BRG: 6309 C3
RPM:	3510	S.F:	1.25	RPM	2860	ODE BRG: 6307 C3
				S.F:	1.00	WT: 306 lbs.