

DATA SHEET

Premium Efficiency Motor: **LAM200-18-445/7T**

60 Hz

WorldWide Electric Corporation

1 (800) 808-2131

Worldwideelectric.net



Document Generated: 8-Sep-2023
Document ID:

Customer:

MOTOR INFORMATION	
HP	200
RPM	1800
Phase	3
Frequency	60 Hz
Voltage	230/460
Frame Size	445/7T
Enclosure	TEFC
Degree of Protection	IP55
Service Factor	1.25
Poles	4
Full Load Speed	1790
Insulation Class	F
Temp Rise	80°C
NEMA Code Letter	G
Duty Cycle	S1 / Continuous
Slip	0.56%
NEMA Design	B
Moment of Inertia	76.948 lb.ft.^2
Locked Rotor Time (Hot)	12 seconds
Sound Pressure Level	103 dB(A)
Number of Starts	2 Cold/1 Hot
Max Ambient Temperature	40°C
Max Elevation	1000 m.a.s.l (3300 f.a.s.l)
Mounting	Rigid
Rotation	Bi-Directional
Area of Classification	Class 1 Division 2 Groups A,B,C,D T3B
Inverter Rating	10:1 CT / 20:1 VT
Standard	NEMA MG-1
Approvals	UL, CE, IEEE45, ABS

EFFICIENCY/POWER FACTOR		
LOAD	EFF	P. F.
100%	96.2 %	0.89
75%	96.1 %	0.87
50%	95.7 %	0.8

TORQUE		
FULL LOAD	LRT	BDT
590 lb.ft.	202 %	343 %

AMPERAGE INFORMATION		
	230V	460V
Full Load Amps	442.2A	221.1A
Locked Rotor Amps	3150A	1575A
No Load Current	129A	64.5A
Usable at 208V		489 A

BEARING INFORMATION	
DE Bearing	NU320 C3
ODE Bearing	6316 C3
Grease Type	Mobil Polyrex EM
DE Regreasing Interval	2400 Hours
ODE Regreasing Interval	3600 Hours
Grease Quantity	51g/33g

ADDITIONAL DATA	
F2 Suitable	Yes
Shaft Material	AISI 1045
Connection Diagram	12 Lead Delta
Approximate Weight	2314.8 lbs.

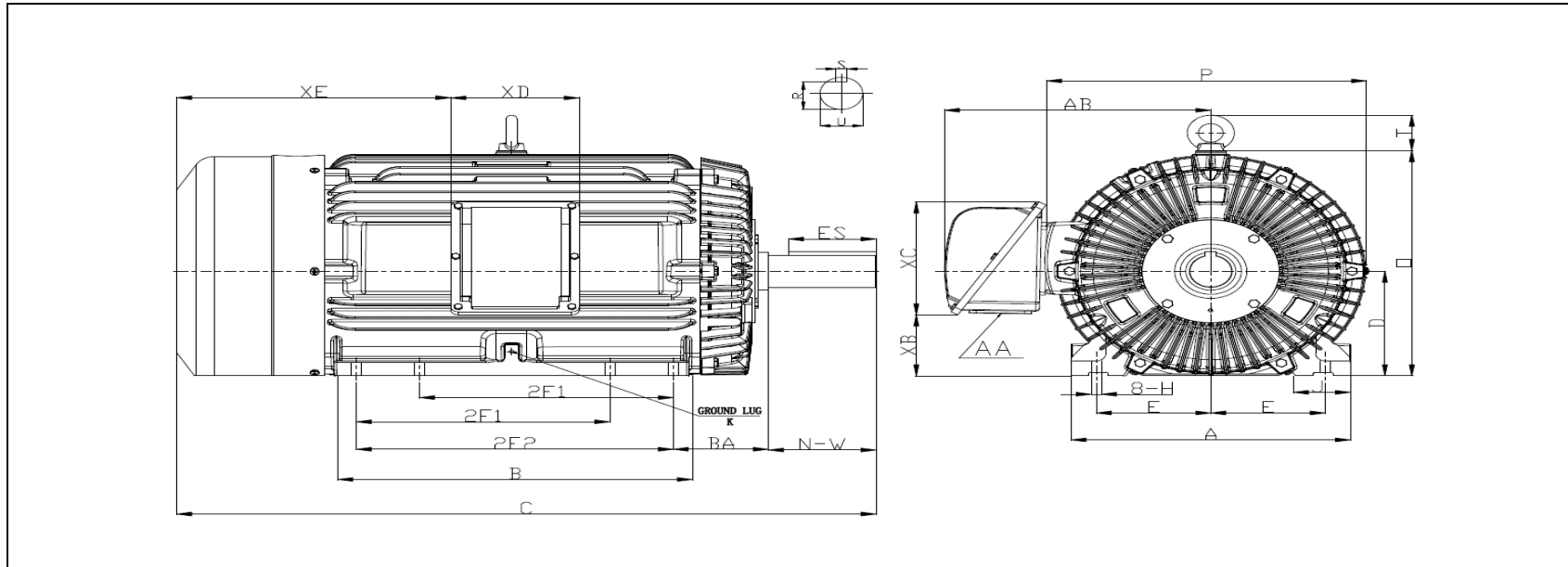
MOTOR DRAWING

Premium Efficiency Motor: **LAM200-18-445/7T**

WorldWide Electric Corporation

1 (800) 808-2131

Worldwideelectric.net



DIMENSION - INCHES

MOUNTING					A	B	C	D	G	J	P	O	T	AB
E	2F1	2F2	H	BA										
9	16.5	20	0.81	7.5	22	29	54.4	11	1.417	4.33	23.75	23.6	4.06	19.095

SHAFT & KEY				
S	ES	R	N-W	U
0.875	6.91	2.88	8.5	3.375

TERMINAL BOX				
AA	XB	XC	XD	XE
3 NPT	4.13	16.2	11.6	19.2

GROUND LUG
M10

PERFORMANCE CURVES

Premium Efficiency Motor:

LAM200-18-445/7T

WorldWide Electric Corporation

1 (800) 808-2131

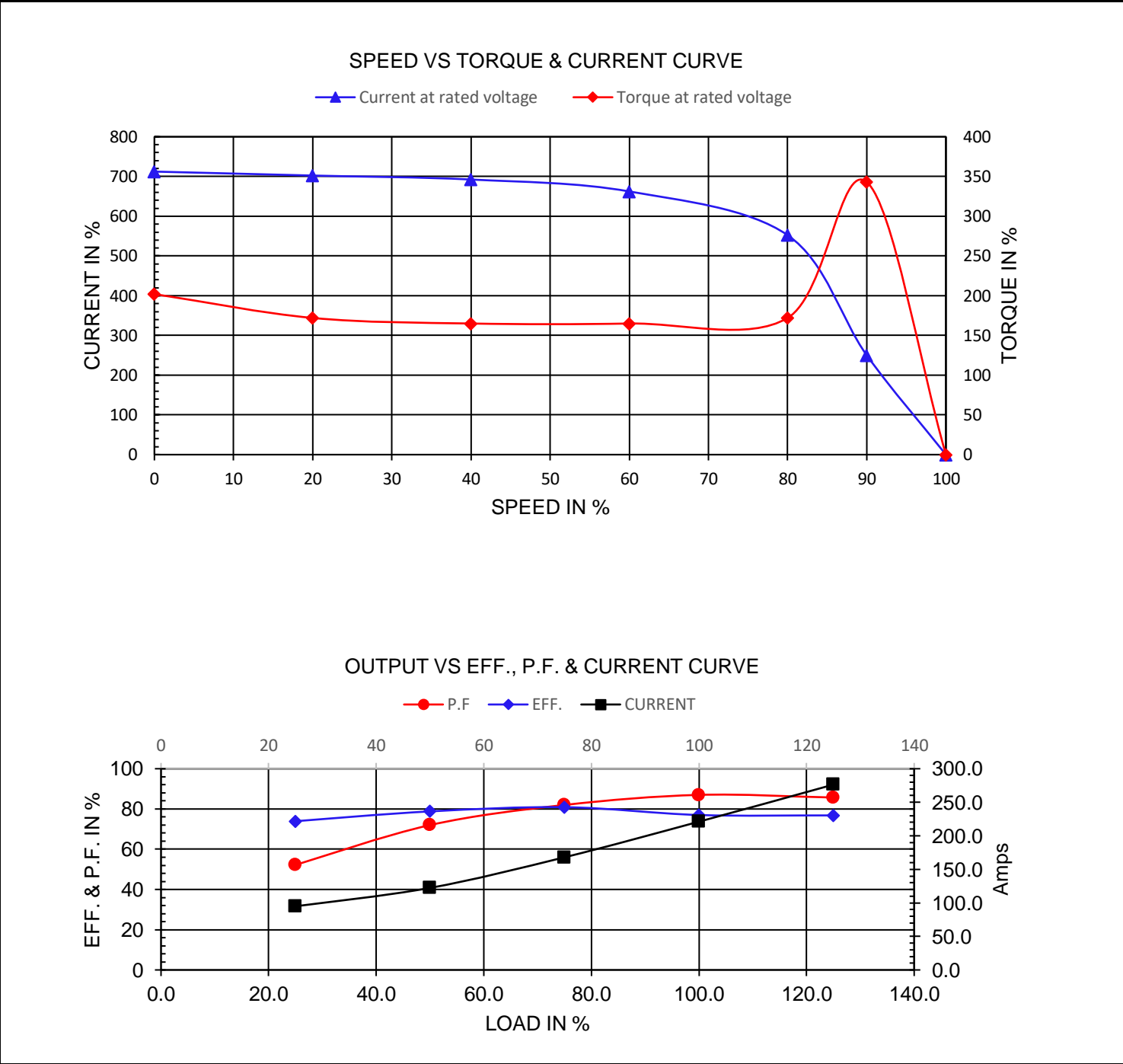
Worldwideelectric.net



Document Generated: 8-Sep-2023
Document ID:

Customer:

Motor Type	AEH3		FL Speed	1790	
Output Rating (HP)	200		LRT (%FLT)	202	460 volt FLA 221.1
Full Load Torque	590 lb.ft		BDT (%FLT)	343	230 volt FLA 442.2
Rotor Wk ²	76.948 lb-ft ²				



NAMEPLATE / WIRING

Premium Efficiency Motor: **LAM200-18-445/7T**

WorldWide Electric Corporation

1 (800) 808-2131

Worldwideelectric.net



Document Generated: 8-Sep-2023
Document ID:

Customer:

SAMPLE NAMEPLATE DATA

		THREE PHASE SEVERE DUTY MOTOR I EEE45																									
Model :		Encl :		Type :		SN :		<table style="width: 100%; text-align: center;"> <tr> <td>7</td><td>8</td><td>9</td></tr> <tr> <td>6</td><td>4</td><td>5</td></tr> <tr> <td>12</td><td>10</td><td>11</td></tr> <tr> <td>1</td><td>2</td><td>3</td></tr> <tr> <td>L1</td><td>L2</td><td>L3</td></tr> <tr> <td colspan="3">230 V</td></tr> </table>		7	8	9	6	4	5	12	10	11	1	2	3	L1	L2	L3	230 V		
7	8	9																									
6	4	5																									
12	10	11																									
1	2	3																									
L1	L2	L3																									
230 V																											
HP :	Poles :	FR:	Ins:	Duty: Cont	IP :	Max Amb 40°C		<table style="width: 100%; text-align: center;"> <tr> <td>7</td><td>8</td><td>9</td></tr> <tr> <td>4</td><td>5</td><td>6</td></tr> <tr> <td>12</td><td>10</td><td>11</td></tr> <tr> <td>1</td><td>2</td><td>3</td></tr> <tr> <td>L1</td><td>L2</td><td>L3</td></tr> <tr> <td colspan="3">460 V</td></tr> </table>		7	8	9	4	5	6	12	10	11	1	2	3	L1	L2	L3	460 V		
7	8	9																									
4	5	6																									
12	10	11																									
1	2	3																									
L1	L2	L3																									
460 V																											
Hz :	CODE :		Hz :	HP :	Design :		<p>UL certified Class I, Division II, Groups A,B,C,D T3B</p>																				
Volts :	P.F :		Volts :	DE BRG :																							
Amps :	Eff :		Amps :	ODE BRG :																							
RPM :	S.F :		RPM :	WT :																							
CC306B				LOUIS ALLIS A WORLDWIDE ELECTRIC COMPANY																							

Model:	LAM200-18-445/7T	Encl:	TEFC	Type:	AEH3		
HP:	200	Poles	4	FR:	445/7T	IP:	55
Hz:	60	CODE:	G	Hz	50	HP:	200
Volts:	230/460	P.F:	0.89	Volts:	190/380	Design:	B
Amps:	442.2/221.1	Eff:	0.962	Amps	408.0/204.0	DE BRG:	NU320 C3
RPM:	1790	S.F:	1.25	RPM	1485	ODE BRG:	6316 C3
				S.F:	1.00	WT:	2314.8 lbs.