

# DATA SHEET

Premium Efficiency Motor: **LAM25-12-324T**

**60 Hz**

WorldWide Electric Corporation

1 (800) 808-2131

Worldwideelectric.net



Document Generated: 8-Sep-2023  
Document ID:

Customer:

| MOTOR INFORMATION       |                                       |
|-------------------------|---------------------------------------|
| HP                      | 25                                    |
| RPM                     | 1200                                  |
| Phase                   | 3                                     |
| Frequency               | 60 Hz                                 |
| Voltage                 | 230/460                               |
| Frame Size              | 324/6T                                |
| Enclosure               | TEFC                                  |
| Degree of Protection    | IP55                                  |
| Service Factor          | 1.25                                  |
| Poles                   | 6                                     |
| Full Load Speed         | 1185                                  |
| Insulation Class        | F                                     |
| Temp Rise               | 80°C                                  |
| NEMA Code Letter        | G                                     |
| Duty Cycle              | S1 / Continuous                       |
| Slip                    | 1.25%                                 |
| NEMA Design             | B                                     |
| Moment of Inertia       | 9.049 lb.ft.^2                        |
| Locked Rotor Time (Hot) | 12 seconds                            |
| Sound Pressure Level    | 83 dB(A)                              |
| Number of Starts        | 2 Cold/1 Hot                          |
| Max Ambient Temperature | 40°C                                  |
| Max Elevation           | 1000 m.a.s.l (3300 f.a.s.l)           |
| Mounting                | Rigid                                 |
| Rotation                | Bi-Directional                        |
| Area of Classification  | Class 1 Division 2 Groups A,B,C,D T3B |
| Inverter Rating         | 10:1 CT / 20:1 VT                     |
| Standard                | NEMA MG-1                             |
| Approvals               | UL, CE, IEEE45, ABS                   |

| EFFICIENCY/POWER FACTOR |        |       |
|-------------------------|--------|-------|
| LOAD                    | EFF    | P. F. |
| 100%                    | 93.0 % | 0.8   |
| 75%                     | 92.6 % | 0.80  |
| 50%                     | 91.9 % | 0.71  |

| TORQUE       |       |       |
|--------------|-------|-------|
| FULL LOAD    | LRT   | BDT   |
| 110.6 lb.ft. | 288 % | 298 % |

| AMPERAGE INFORMATION |        |        |
|----------------------|--------|--------|
|                      | 230V   | 460V   |
| Full Load Amps       | 62.6A  | 31.3A  |
| Locked Rotor Amps    | 393.8A | 196.8A |
| No Load Current      | 22.8A  | 11.4A  |
| Usable at 208V       |        | 66.8 A |

| BEARING INFORMATION     |                  |
|-------------------------|------------------|
| DE Bearing              | 6314 C3          |
| ODE Bearing             | 6212 C3          |
| Grease Type             | Mobil Polyrex EM |
| DE Regreasing Interval  | 2400 Hours       |
| ODE Regreasing Interval | 3600 Hours       |
| Grease Quantity         | 26g/12g          |

| ADDITIONAL DATA    |               |
|--------------------|---------------|
| F2 Suitable        | Yes           |
| Shaft Material     | AISI 1045     |
| Connection Diagram | 12 Lead Delta |
| Approximate Weight | 595.3 lbs.    |

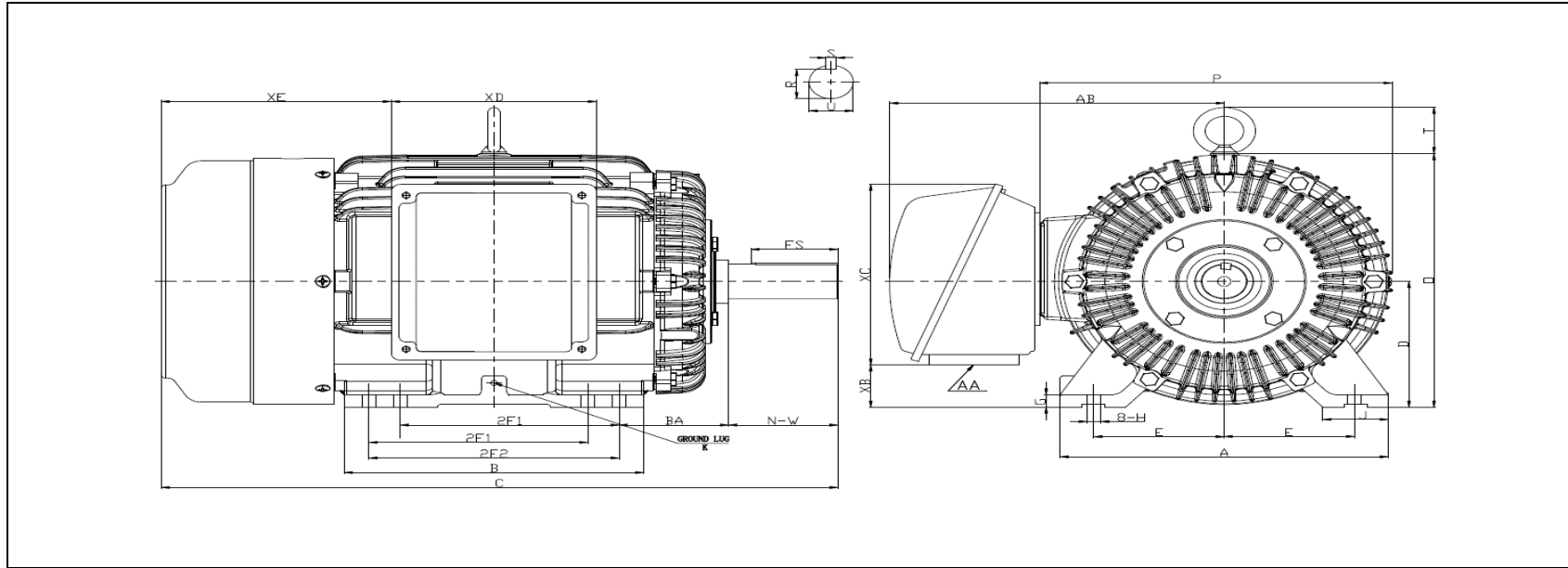
# MOTOR DRAWING

Premium Efficiency Motor: **LAM25-12-324T**

WorldWide Electric Corporation

1 (800) 808-2131

Worldwideelectric.net



## DIMENSION - INCHES

| MOUNTING |      |     |      |      | A     | B     | C     | D | G     | J    | P    | O     | T    | AB   |
|----------|------|-----|------|------|-------|-------|-------|---|-------|------|------|-------|------|------|
| E        | 2F1  | 2F2 | H    | BA   |       |       |       |   |       |      |      |       |      |      |
| 6.25     | 10.5 | 12  | 0.66 | 5.25 | 15.75 | 14.37 | 32.67 | 8 | 0.984 | 3.15 | 16.9 | 16.13 | 2.42 | 16.2 |

| SHAFT & KEY |      |       |      |       |
|-------------|------|-------|------|-------|
| S           | ES   | R     | N-W  | U     |
| 0.5         | 3.91 | 1.845 | 5.25 | 2.125 |

| TERMINAL BOX |     |       |      |      |
|--------------|-----|-------|------|------|
| AA           | XB  | XC    | XD   | XE   |
| 2 NPT        | 2.7 | 11.27 | 9.17 | 11.1 |

| GROUND LUG |
|------------|
| M8         |

# PERFORMANCE CURVES

WorldWide Electric Corporation

1 (800) 808-2131

Worldwideelectric.net

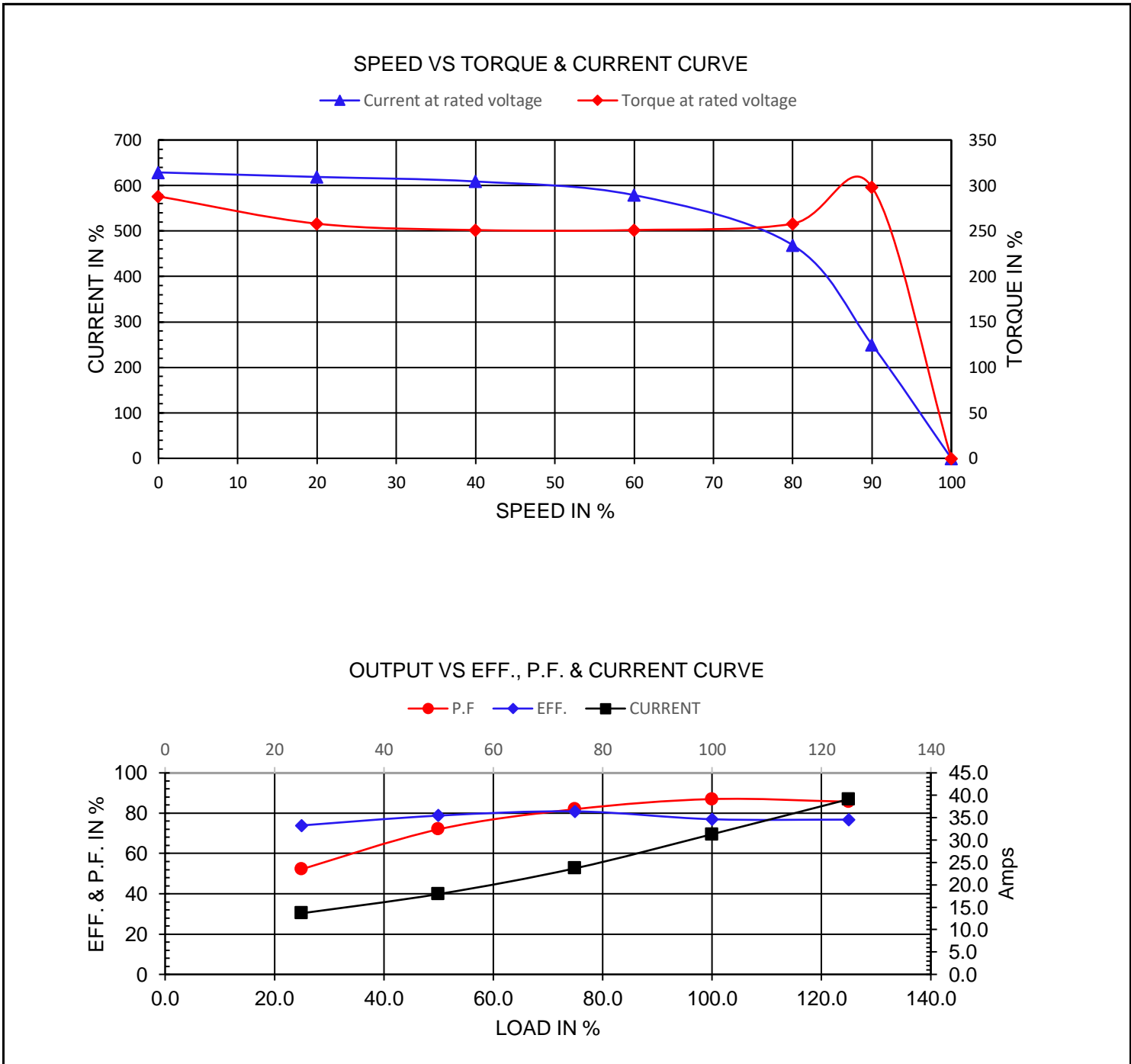


Premium Efficiency Motor:

**LAM25-12-324T**

|                                |           |
|--------------------------------|-----------|
| Document Generated: 8-Sep-2023 | Customer: |
| Document ID:                   |           |

|                    |               |  |              |      |  |
|--------------------|---------------|--|--------------|------|--|
| Motor Type         | AEH3          |  | FL Speed     | 1185 |  |
| Output Rating (HP) | 25            |  | LRT (%FLT)   | 288  |  |
| Full Load Torque   | 110.6 lb.ft   |  | 460 volt FLA | 31.3 |  |
| Rotor Wk^2         | 9.049 lb-ft^2 |  | 230 volt FLA | 62.6 |  |
|                    |               |  | BDT (%FLT)   | 298  |  |



# NAMEPLATE / WIRING

Premium Efficiency Motor: **LAM25-12-324T**

WorldWide Electric Corporation

1 (800) 808-2131

Worldwideelectric.net



Document Generated: 8-Sep-2023  
Document ID:

Customer:

## SAMPLE NAMEPLATE DATA

|         |         |  |         |            |          |              |   |   |  |   |   |   |   |   |   |    |    |    |   |   |   |    |    |    |       |  |  |
|---------|---------|--|---------|------------|----------|--------------|---|---|--|---|---|---|---|---|---|----|----|----|---|---|---|----|----|----|-------|--|--|
|         |         | <b>THREE PHASE<br/>SEVERE DUTY MOTOR<br/>I EEE45</b> |         |            |          |              |   |   |  |   |   |   |   |   |   |    |    |    |   |   |   |    |    |    |       |  |  |
| Model : |         | Encl :   |         | Type :     |          | SN :         |   | <table style="width: 100%; text-align: center;"> <tr> <td>7</td><td>8</td><td>9</td></tr> <tr> <td>6</td><td>4</td><td>5</td></tr> <tr> <td>12</td><td>10</td><td>11</td></tr> <tr> <td>1</td><td>2</td><td>3</td></tr> <tr> <td>L1</td><td>L2</td><td>L3</td></tr> <tr> <td colspan="3">230 V</td></tr> </table> |  | 7 | 8 | 9 | 6 | 4 | 5 | 12 | 10 | 11 | 1 | 2 | 3 | L1 | L2 | L3 | 230 V |  |  |
| 7       | 8       | 9  |         |            |          |              |   |   |  |   |   |   |   |   |   |    |    |    |   |   |   |    |    |    |       |  |  |
| 6       | 4       | 5  |         |            |          |              |   |   |  |   |   |   |   |   |   |    |    |    |   |   |   |    |    |    |       |  |  |
| 12      | 10      | 11   |         |            |          |              |   |   |  |   |   |   |   |   |   |    |    |    |   |   |   |    |    |    |       |  |  |
| 1       | 2       | 3  |         |            |          |              |   |   |  |   |   |   |   |   |   |    |    |    |   |   |   |    |    |    |       |  |  |
| L1      | L2      | L3   |         |            |          |              |   |   |  |   |   |   |   |   |   |    |    |    |   |   |   |    |    |    |       |  |  |
| 230 V   |         |  |         |            |          |              |   |   |  |   |   |   |   |   |   |    |    |    |   |   |   |    |    |    |       |  |  |
| HP :    | Poles : | FR:  | Ins:    | Duty: Cont | IP :     | Max Amb 40°C |   | <table style="width: 100%; text-align: center;"> <tr> <td>7</td><td>8</td><td>9</td></tr> <tr> <td>4</td><td>5</td><td>6</td></tr> <tr> <td>12</td><td>10</td><td>11</td></tr> <tr> <td>1</td><td>2</td><td>3</td></tr> <tr> <td>L1</td><td>L2</td><td>L3</td></tr> <tr> <td colspan="3">460 V</td></tr> </table> |  | 7 | 8 | 9 | 4 | 5 | 6 | 12 | 10 | 11 | 1 | 2 | 3 | L1 | L2 | L3 | 460 V |  |  |
| 7       | 8       | 9  |         |            |          |              |   |   |  |   |   |   |   |   |   |    |    |    |   |   |   |    |    |    |       |  |  |
| 4       | 5       | 6  |         |            |          |              |   |   |  |   |   |   |   |   |   |    |    |    |   |   |   |    |    |    |       |  |  |
| 12      | 10      | 11   |         |            |          |              |   |   |  |   |   |   |   |   |   |    |    |    |   |   |   |    |    |    |       |  |  |
| 1       | 2       | 3  |         |            |          |              |   |   |  |   |   |   |   |   |   |    |    |    |   |   |   |    |    |    |       |  |  |
| L1      | L2      | L3   |         |            |          |              |   |   |  |   |   |   |   |   |   |    |    |    |   |   |   |    |    |    |       |  |  |
| 460 V   |         |  |         |            |          |              |   |   |  |   |   |   |   |   |   |    |    |    |   |   |   |    |    |    |       |  |  |
| Hz :    | CODE :  |  | Hz :    | HP :       | Design : |              | <p><b>UL certified Class I,<br/>Division II, Groups<br/>A,B,C,D T3B</b></p> |   |  |   |   |   |   |   |   |    |    |    |   |   |   |    |    |    |       |  |  |
| Volts : | P.F :   |  | Volts : | DE BRG :   |          |              |   |   |  |   |   |   |   |   |   |    |    |    |   |   |   |    |    |    |       |  |  |
| Amps :  | Eff :   |  | Amps :  | ODE BRG :  |          |              |   |   |  |   |   |   |   |   |   |    |    |    |   |   |   |    |    |    |       |  |  |
| RPM :   | S.F :   |  | RPM :   | WT :       |          |              |   |   |  |   |   |   |   |   |   |    |    |    |   |   |   |    |    |    |       |  |  |
| CC306B  |         | <b>LOUIS ALLIS</b><br>A WORLDWIDE ELECTRIC COMPANY   |         |            |          |              |   |   |  |   |   |   |   |   |   |    |    |    |   |   |   |    |    |    |       |  |  |

|               |               |              |      |               |           |                         |
|---------------|---------------|--------------|------|---------------|-----------|-------------------------|
| <b>Model:</b> | LAM25-12-324T | <b>Encl:</b> | TEFC | <b>Type:</b>  | AEH3      |                         |
| <b>HP:</b>    | 25            | <b>Poles</b> | 6    | <b>FR:</b>    | 324/6T    | <b>IP:</b> 55           |
| <b>Hz:</b>    | 60            | <b>CODE:</b> | G    | <b>Hz</b>     | 50        | <b>HP:</b> 25           |
| <b>Volts:</b> | 230/460       | <b>P.F:</b>  | 0.8  | <b>Volts:</b> | 190/380   | <b>Design:</b> B        |
| <b>Amps:</b>  | 62.6/31.3     | <b>Eff:</b>  | 0.93 | <b>Amps</b>   | 75.2/37.6 | <b>DE BRG:</b> 6314 C3  |
| <b>RPM:</b>   | 1185          | <b>S.F:</b>  | 1.25 | <b>RPM</b>    | 980       | <b>ODE BRG:</b> 6212 C3 |
|               |               |              |      | <b>S.F:</b>   | 1.00      | <b>WT:</b> 595.3 lbs.   |