

# DATA SHEET

Premium Efficiency Motor: **LAM25-12-324TC**

**60 Hz**

WorldWide Electric Corporation

1 (800) 808-2131

Worldwideelectric.net



Document Generated: 14-Sep-2023  
Document ID:

Customer:

MOTOR INFORMATION	
HP	25
RPM	1200
Phase	3
Frequency	60 Hz
Voltage	230/460
Frame Size	324/6TC
Enclosure	TEFC
Degree of Protection	IP55
Service Factor	1.25
Poles	6
Full Load Speed	1185
Insulation Class	F
Temp Rise	80°C
NEMA Code Letter	G
Duty Cycle	S1 / Continuous
Slip	1.25%
NEMA Design	B
Moment of Inertia	9.049 lb.ft.^2
Locked Rotor Time (Hot)	12 seconds
Sound Pressure Level	83 dB(A)
Number of Starts	2 Cold/1 Hot
Max Ambient Temperature	40°C
Max Elevation	1000 m.a.s.l (3300 f.a.s.l)
Mounting	F1
Rotation	Bi-Directional
Area of Classification	Class 1 Division 2 Groups A,B,C,D T3B
Inverter Rating	10:1 CT / 20:1 VT
Standard	NEMA MG-1
Approvals	UL, CE, IEEE45, ABS

EFFICIENCY/POWER FACTOR		
LOAD	EFF	P. F.
100%	93.0 %	0.8
75%	92.6 %	0.80
50%	91.9 %	0.71

TORQUE		
FULL LOAD	LRT	BDT
110.6 lb.ft.	288 %	298 %

AMPERAGE INFORMATION		
	230V	460V
Full Load Amps	62.6A	31.3
Locked Rotor Amps	393.8A	196.8A
No Load Current	22.8A	11.4A
Usable at 208V		66.8 A

BEARING INFORMATION	
DE Bearing	6314 C3
ODE Bearing	6212 C3
Grease Type	Mobil Polyrex EM
DE Regreasing Interval	2400 Hours
ODE Regreasing Interval	3600 Hours
Grease Quantity	26g/12g

ADDITIONAL DATA	
F2 Suitable	Yes
Shaft Material	AISI 1045
Connection Diagram	12 Lead Delta
Approximate Weight	595.3 lbs.

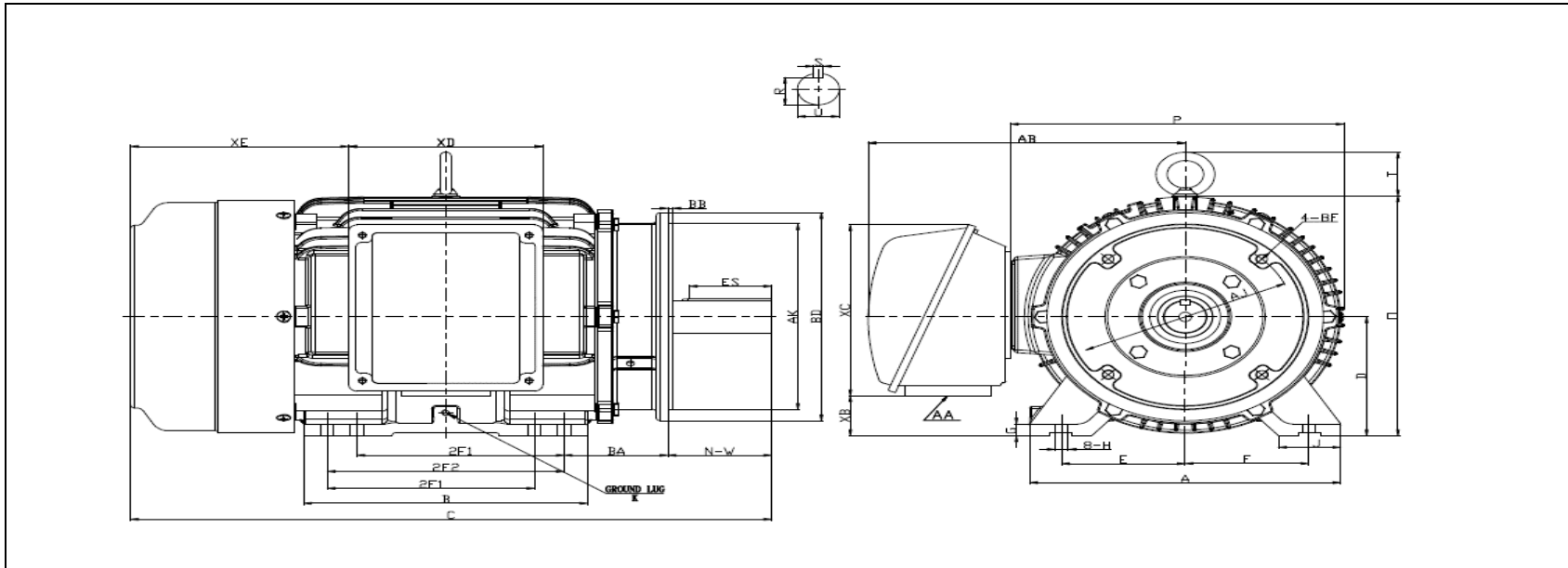
# MOTOR DRAWING

Premium Efficiency Motor: **LAM25-12-324TC**

WorldWide Electric Corporation

1 (800) 808-2131

Worldwideelectric.net



## DIMENSION - INCHES

MOUNTING					A	B	C	D	G	P	O	T	AB
E	2F1	2F2	H	BA									
6.25	10.5	12	0.66	5.25	15.75	14.37	32.67	8	0.984	16.9	16.19	2.42	16.2

SHAFT & KEY				
S	ES	R	N-W	U
0.5	3.91	1.845	5.25	2.125

TERMINAL BOX				
AA	XB	XC	XD	XE
2 NPT	2.7	11.27	9.17	11.1

GROUND LUG
M8

FLANGE				
AK	BD	AJ	BF	BB
12.5	14	11	4*5/8-11	0.25

# PERFORMANCE CURVES

Premium Efficiency Motor:

**LAM25-12-324TC**

WorldWide Electric Corporation

1 (800) 808-2131

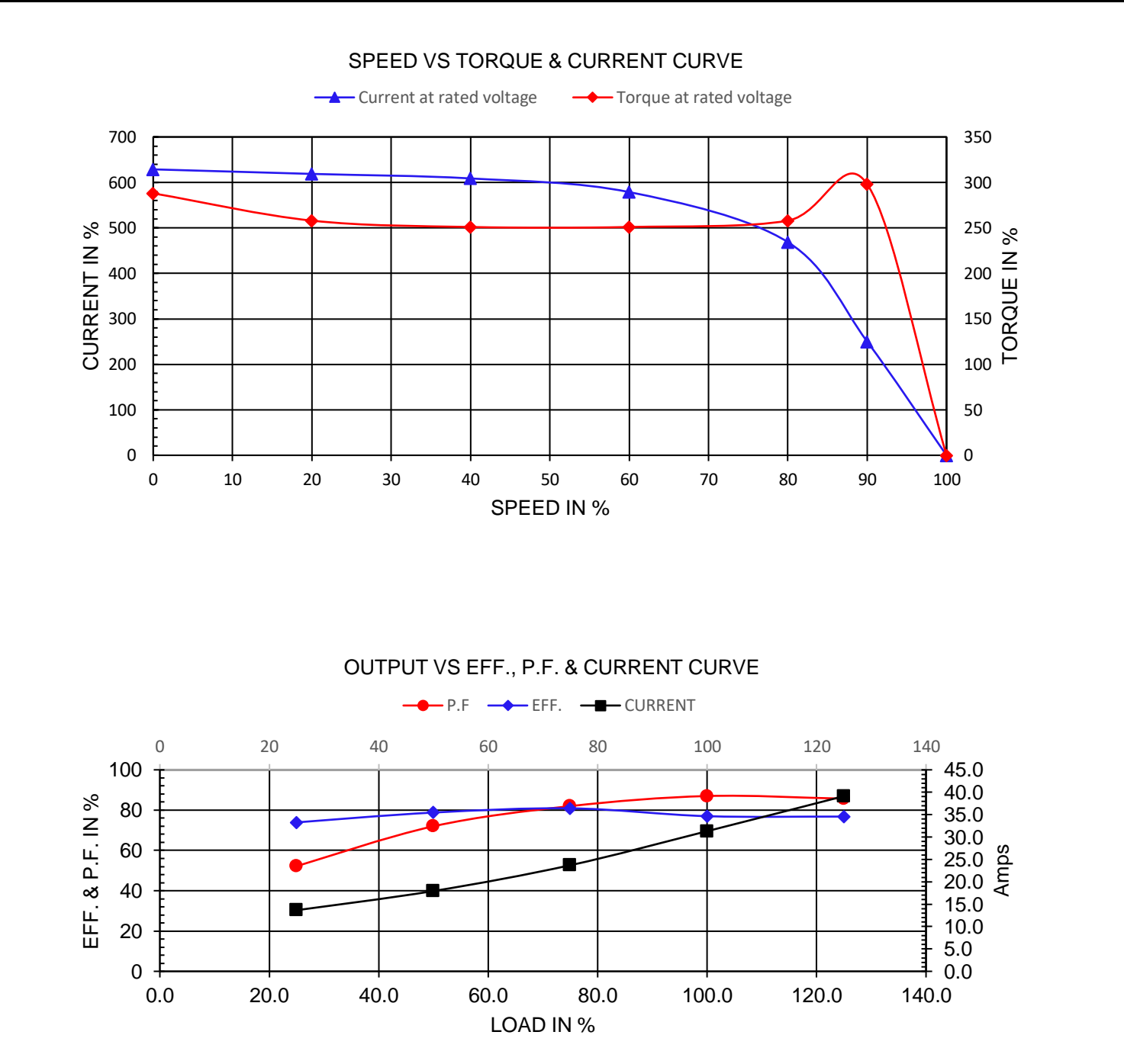
Worldwideelectric.net



Document Generated: 14-Sep-2023  
Document ID:

Customer:

Motor Type	LAM		FL Speed	1185	
Output Rating (HP)	25		LRT (%FLT)	288	460 volt FLA 31.3
Full Load Torque	110.6	lb.ft	BDT (%FLT)	298	230 volt FLA 62.6A
Rotor Wk <sup>2</sup>	9.049	lb-ft <sup>2</sup>			



# NAMEPLATE / WIRING

Premium Efficiency Motor: **LAM25-12-324TC**

WorldWide Electric Corporation

1 (800) 808-2131

Worldwideelectric.net



Document Generated: 14-Sep-2023  
Document ID:

Customer:

## SAMPLE NAMEPLATE DATA

		<b>THREE PHASE SEVERE DUTY MOTOR IEEE45</b>																									
Model :		Encl :	Type :	SN :			<table style="width: 100%; text-align: center;"> <tr> <td>7</td><td>8</td><td>9</td></tr> <tr> <td>6</td><td>4</td><td>5</td></tr> <tr> <td>12</td><td>10</td><td>11</td></tr> <tr> <td>1</td><td>2</td><td>3</td></tr> <tr> <td>L1</td><td>L2</td><td>L3</td></tr> <tr> <td colspan="3">230 V</td></tr> </table>			7	8	9	6	4	5	12	10	11	1	2	3	L1	L2	L3	230 V		
7	8	9																									
6	4	5																									
12	10	11																									
1	2	3																									
L1	L2	L3																									
230 V																											
HP :	Poles :	FR:	Ins:	Duty: Cont	IP :	Max Amb 40°C	<table style="width: 100%; text-align: center;"> <tr> <td>7</td><td>8</td><td>9</td></tr> <tr> <td>4</td><td>5</td><td>6</td></tr> <tr> <td>12</td><td>10</td><td>11</td></tr> <tr> <td>1</td><td>2</td><td>3</td></tr> <tr> <td>L1</td><td>L2</td><td>L3</td></tr> <tr> <td colspan="3">460 V</td></tr> </table>			7	8	9	4	5	6	12	10	11	1	2	3	L1	L2	L3	460 V		
7	8	9																									
4	5	6																									
12	10	11																									
1	2	3																									
L1	L2	L3																									
460 V																											
Hz :		CODE :		Hz :	HP :	Design :																					
Volts :		P.F :		Volts :		DE BRG :																					
Amps :		Eff :		Amps :		ODE BRG :																					
RPM :		S.F :		RPM :		WT :																					
				S.F :		Date :																					
CC306B		<b>LOUIS ALLIS</b> A WORLDWIDE ELECTRIC COMPANY					UL certified Class I, Division II, Groups A,B,C,D T3B																				

<b>Model:</b>	LAM25-12-324TC	<b>Encl:</b>	TEFC	<b>Type:</b>	AEH3		
<b>HP:</b>	25	<b>Poles</b>	6	<b>FR:</b>	324/6TC	<b>Ins:</b>	F
<b>Hz:</b>	60	<b>CODE:</b>	G	<b>Hz</b>	50	<b>HP:</b>	25
<b>Volts:</b>	230/460	<b>P.F:</b>	0.8	<b>Volts:</b>	190/380	<b>Design:</b>	B
<b>Amps:</b>	62.6/31.3	<b>Eff:</b>	0.93	<b>Amps</b>	75.2/37.6	<b>DE BRG:</b>	6314 C3
<b>RPM:</b>	1185	<b>S.F:</b>	1.25	<b>RPM</b>	980	<b>ODE BRG:</b>	6212 C3
				<b>S.F:</b>	1.00	<b>WT:</b>	595.3 lbs.