

# DATA SHEET

Premium Efficiency Motor: **LAM25-18-284TC**

**60 Hz**

WorldWide Electric Corporation

1 (800) 808-2131

Worldwideelectric.net



Document Generated: 14-Sep-2023  
Document ID:

Customer:

MOTOR INFORMATION	
HP	25
RPM	1800
Phase	3
Frequency	60 Hz
Voltage	230/460
Frame Size	284/6TC
Enclosure	TEFC
Degree of Protection	IP55
Service Factor	1.25
Poles	4
Full Load Speed	1775
Insulation Class	F
Temp Rise	80°C
NEMA Code Letter	G
Duty Cycle	S1 / Continuous
Slip	1.39%
NEMA Design	B
Moment of Inertia	3.25 lb.ft.^2
Locked Rotor Time (Hot)	12 seconds
Sound Pressure Level	88 dB(A)
Number of Starts	2 Cold/1 Hot
Max Ambient Temperature	40°C
Max Elevation	1000 m.a.s.l (3300 f.a.s.l)
Mounting	F1
Rotation	Bi-Directional
Area of Classification	Class 1 Division 2 Groups A,B,C,D T3B
Inverter Rating	10:1 CT / 20:1 VT
Standard	NEMA MG-1
Approvals	UL, CE, IEEE45, ABS

EFFICIENCY/POWER FACTOR		
LOAD	EFF	P. F.
100%	93.6 %	0.83
75%	93.9 %	0.79
50%	93.4 %	0.7

TORQUE		
FULL LOAD	LRT	BDT
73.3 lb.ft.	268 %	285 %

AMPERAGE INFORMATION		
	230V	460V
Full Load Amps	59.6A	29.8
Locked Rotor Amps	369.4A	184.7A
No Load Current	22.4A	11.2A
Usable at 208V	65.9 A	

BEARING INFORMATION	
DE Bearing	6311 C3
ODE Bearing	6310 C3
Grease Type	Mobil Polyrex EM
DE Regreasing Interval	2400 Hours
ODE Regreasing Interval	3600 Hours
Grease Quantity	17g/15g

ADDITIONAL DATA	
F2 Suitable	Yes
Shaft Material	AISI 1045
Connection Diagram	12 Lead Delta
Approximate Weight	414.5 lbs.

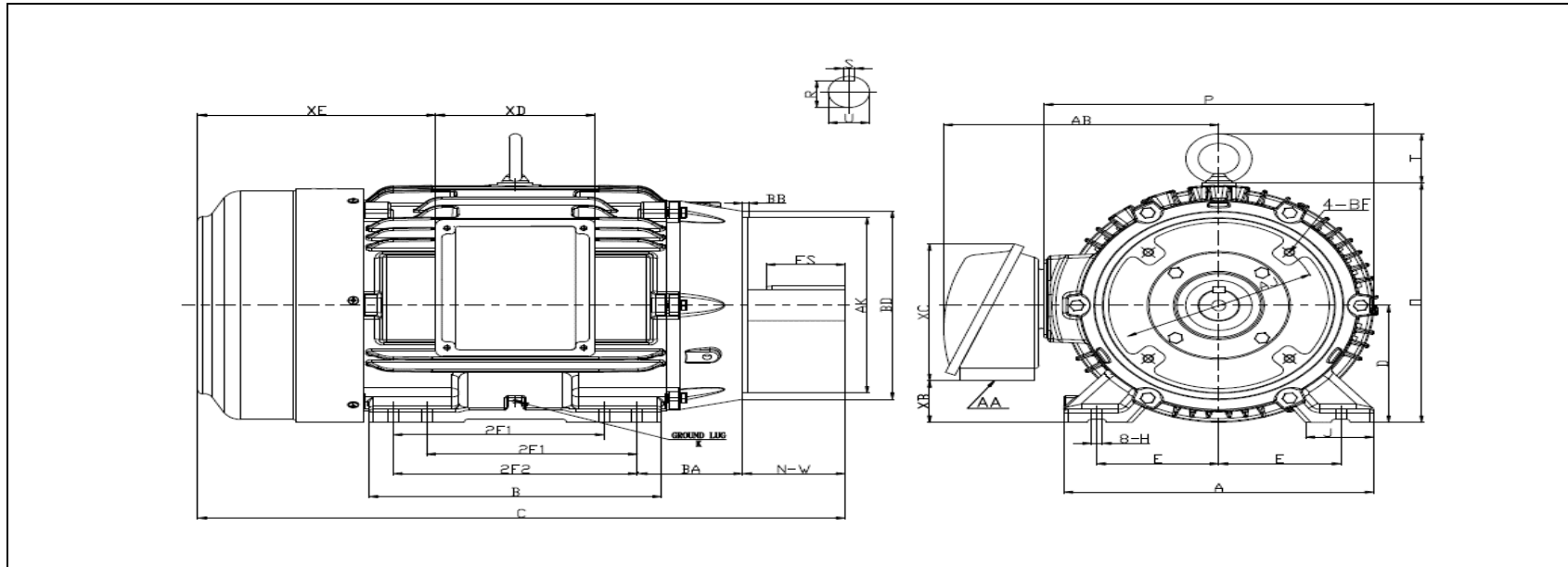
# MOTOR DRAWING

Premium Efficiency Motor: **LAM25-18-284TC**

WorldWide Electric Corporation

1 (800) 808-2131

Worldwideelectric.net



## DIMENSION - INCHES

MOUNTING					A	B	C	D	G	P	O	T	AB
E	2F1	2F2	H	BA									
5.5	9.5	11	0.53	4.75	13.97	13.18	29.1	7	0.7795	14.56	14.04	2.42	12.02

SHAFT & KEY				
S	ES	R	N-W	U
0.5	3.28	1.59	4.62	1.875

TERMINAL BOX				
AA	XB	XC	XD	XE
1-1/2 NPT	2.75	8.17	6.85	10.3

GROUND LUG
M8

FLANGE				
AK	BD	AJ	BF	BB
10.5	11.25	9	4*1/2-13	0.25

# PERFORMANCE CURVES

Premium Efficiency Motor:

**LAM25-18-284TC**

WorldWide Electric Corporation

1 (800) 808-2131

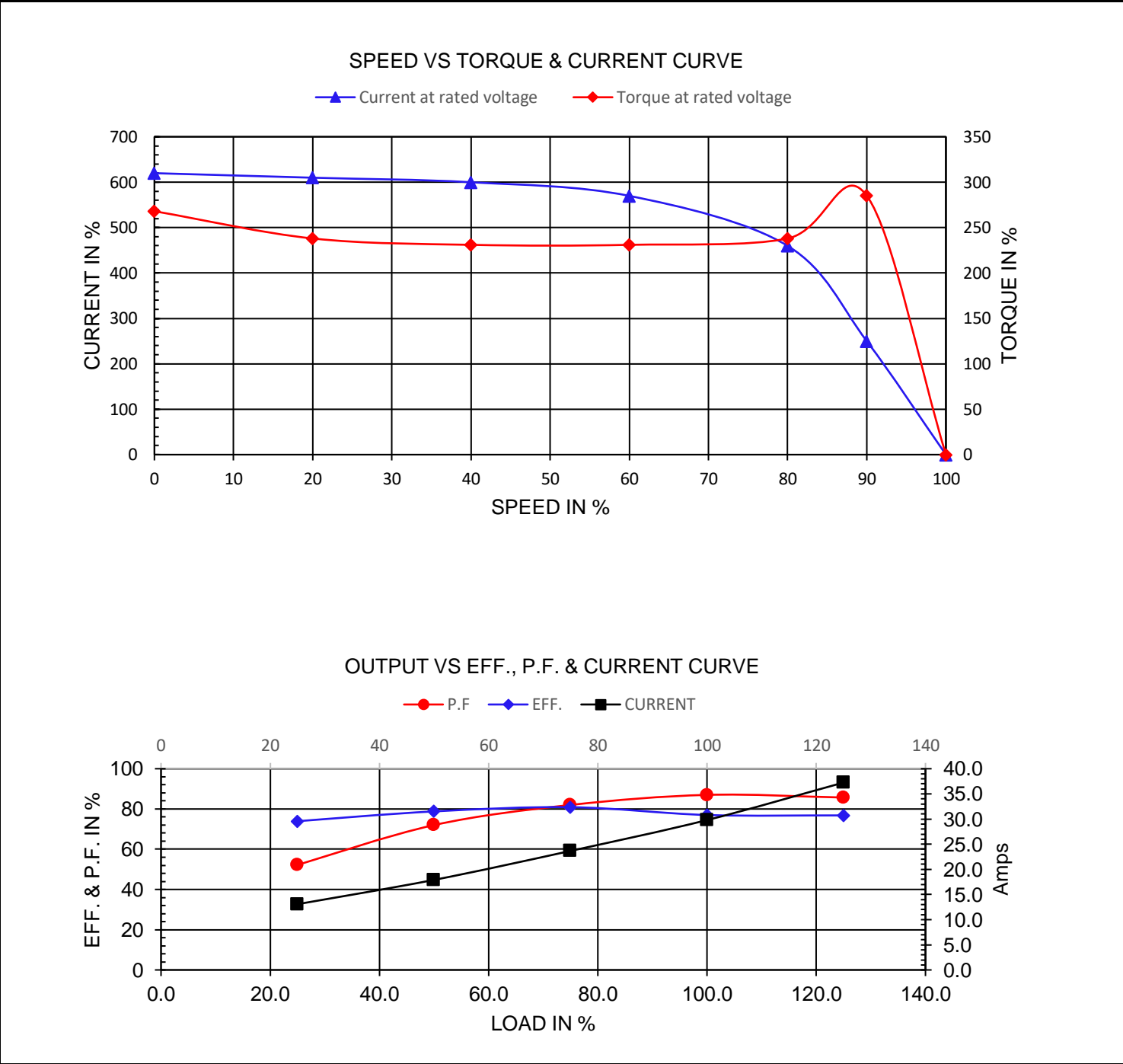
Worldwideelectric.net



Document Generated: 14-Sep-2023  
Document ID:

Customer:

Motor Type	LAM		FL Speed	1775	
Output Rating (HP)	25		LRT (%FLT)	268	
Full Load Torque	73.3	lb.ft	460 volt FLA	29.8	
Rotor Wk <sup>2</sup>	3.25	lb-ft <sup>2</sup>	230 volt FLA	59.6A	
			BDT (%FLT)	285	



# NAMEPLATE / WIRING

Premium Efficiency Motor: **LAM25-18-284TC**

WorldWide Electric Corporation

1 (800) 808-2131

Worldwideelectric.net



Document Generated: 14-Sep-2023  
Document ID:

Customer:

## SAMPLE NAMEPLATE DATA

		<b>THREE PHASE SEVERE DUTY MOTOR IEEE45</b>																																											
Model :		Encl :	Type :	SN :				<table style="border: none;"> <tr><td>7</td><td>8</td><td>9</td></tr> <tr><td>6</td><td>4</td><td>5</td></tr> <tr><td>12</td><td>10</td><td>11</td></tr> <tr><td>1</td><td>2</td><td>3</td></tr> <tr><td>L1</td><td>L2</td><td>L3</td></tr> <tr><td colspan="3" style="text-align: center;">230 V</td></tr> <tr><td>7</td><td>8</td><td>9</td></tr> <tr><td>4</td><td>5</td><td>6</td></tr> <tr><td>12</td><td>10</td><td>11</td></tr> <tr><td>1</td><td>2</td><td>3</td></tr> <tr><td>L1</td><td>L2</td><td>L3</td></tr> <tr><td colspan="3" style="text-align: center;">460 V</td></tr> </table>		7	8	9	6	4	5	12	10	11	1	2	3	L1	L2	L3	230 V			7	8	9	4	5	6	12	10	11	1	2	3	L1	L2	L3	460 V		
7	8	9																																											
6	4	5																																											
12	10	11																																											
1	2	3																																											
L1	L2	L3																																											
230 V																																													
7	8	9																																											
4	5	6																																											
12	10	11																																											
1	2	3																																											
L1	L2	L3																																											
460 V																																													
HP :	Poles :	FR:	Ins:	Duty: Cont	IP :	Max Amb 40°C																																							
Hz :	CODE :		Hz :	HP :	Design :																																								
Volts :	P.F :		Volts :	DE BRG :																																									
Amps :	Eff :		Amps :	ODE BRG :																																									
RPM :	S.F :		RPM :	WT :																																									
			S.F :	Date :																																									
CC306B					LOUIS ALLIS A WORLDWIDE ELECTRIC COMPANY				UL certified Class I, Division II, Groups A,B,C,D T3B																																				

<b>Model:</b>	LAM25-18-284TC	<b>Encl:</b>	TEFC	<b>Type:</b>	AEH3				
<b>HP:</b>	25	<b>Poles</b>	4	<b>FR:</b>	284/6TC	<b>Ins:</b>	F	<b>IP:</b>	55
<b>Hz:</b>	60	<b>CODE:</b>	G	<b>Hz</b>	50	<b>HP:</b>	25	<b>Design:</b>	B
<b>Volts:</b>	230/460	<b>P.F:</b>	0.83	<b>Volts:</b>	190/380				
<b>Amps:</b>	59.6/29.8	<b>Eff:</b>	0.936	<b>Amps</b>	71.6/35.8				
<b>RPM:</b>	1775	<b>S.F:</b>	1.25	<b>RPM</b>	1465				
			<b>S.F:</b>	1.00					
								<b>WT:</b>	414.5 lbs.