

DATA SHEET

Premium Efficiency Motor: **LAM25-18-284TCRD**

60 Hz

WorldWide Electric Corporation

1 (800) 808-2131

Worldwideelectric.net



Document Generated: 14-Sep-2023
Document ID:

Customer:

MOTOR INFORMATION	
HP	25
RPM	1800
Phase	3
Frequency	60 Hz
Voltage	230/460
Frame Size	284/6TC
Enclosure	TEFC
Degree of Protection	IP55
Service Factor	1.25
Poles	4
Full Load Speed	1775
Insulation Class	F
Temp Rise	80°C
NEMA Code Letter	G
Duty Cycle	S1 / Continuous
Slip	1.39%
NEMA Design	B
Moment of Inertia	3.25 lb.ft.^2
Locked Rotor Time (Hot)	12 seconds
Sound Pressure Level	88 dB(A)
Number of Starts	2 Cold/1 Hot
Max Ambient Temperature	40°C
Max Elevation	1000 m.a.s.l (3300 f.a.s.l)
Mounting	F1
Rotation	Bi-Directional
Area of Classification	Class 1 Division 2 Groups A,B,C,D T3B
Inverter Rating	10:1 CT / 20:1 VT
Standard	NEMA MG-1
Approvals	UL, CE, IEEE45, ABS

EFFICIENCY/POWER FACTOR		
LOAD	EFF	P. F.
100%	93.6 %	0.83
75%	93.9 %	0.79
50%	93.4 %	0.7

TORQUE		
FULL LOAD	LRT	BDT
73.3 lb.ft.	268 %	285 %

AMPERAGE INFORMATION		
	230V	460V
Full Load Amps	59.6A	29.8
Locked Rotor Amps	369.4A	184.7A
No Load Current	22.4A	11.2A
Usable at 208V	65.9 A	

BEARING INFORMATION	
DE Bearing	6311 C3
ODE Bearing	6310 C3
Grease Type	Mobil Polyrex EM
DE Regreasing Interval	2400 Hours
ODE Regreasing Interval	3600 Hours
Grease Quantity	17g/15g

ADDITIONAL DATA	
F2 Suitable	Yes
Shaft Material	AISI 1045
Connection Diagram	12 Lead Delta
Approximate Weight	414.5 lbs.

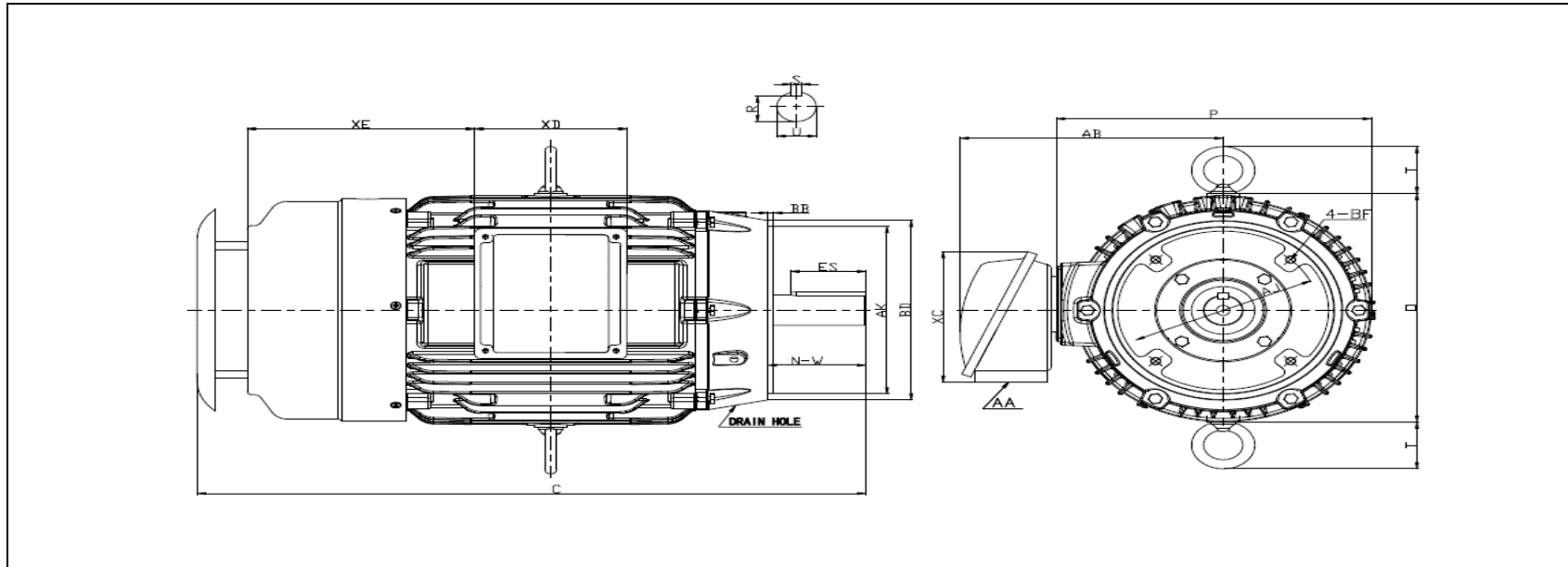
MOTOR DRAWING

Premium Efficiency Motor: **LAM25-18-284TCRD**

WorldWide Electric Corporation

1 (800) 808-2131

Worldwideelectric.net



DIMENSION - INCHES

FLANGE MOUNTING					C	P	O	T	AB
AK	BD	AJ	BF	BB					
10.5	11.25	9	4*1/2-13	0.25	31.5	14.56	14.04	2.42	12.02

SHAFT & KEY				
S	ES	R	N-W	U
0.5	3.28	1.59	4.62	1.875

TERMINAL BOX			
AA	XC	XD	XE
1-1/2 NPT	8.17	6.85	10.3

PERFORMANCE CURVES

Premium Efficiency Motor:

LAM25-18-284TCRD

WorldWide Electric Corporation

1 (800) 808-2131

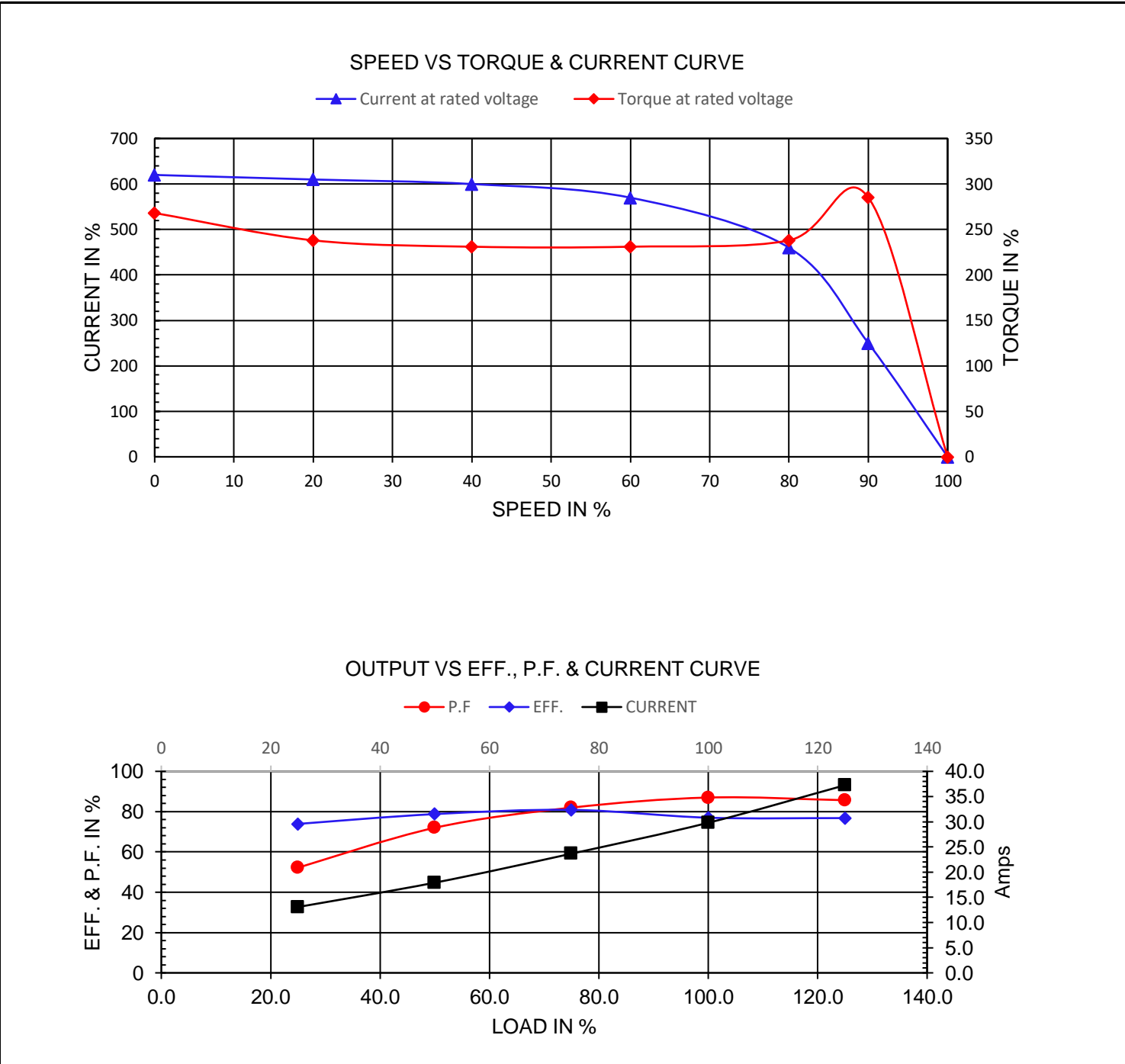
Worldwideelectric.net



Document Generated: 14-Sep-2023
 Document ID:

Customer:

Motor Type	LAM		FL Speed	1775	
Output Rating (HP)	25		LRT (%FLT)	268	
Full Load Torque	73.3	lb.ft	460 volt FLA	29.8	
Rotor Wk^2	3.25	lb-ft^2	230 volt FLA	59.6A	
			BDT (%FLT)	285	



NAMEPLATE / WIRING

Premium Efficiency Motor: **LAM25-18-284TCRD**

WorldWide Electric Corporation

1 (800) 808-2131

Worldwideelectric.net



Document Generated: 14-Sep-2023
Document ID:

Customer:

SAMPLE NAMEPLATE DATA

		THREE PHASE SEVERE DUTY MOTOR IEEE45																									
Model :		Encl :	Type :	SN :			<table style="width: 100%; border-collapse: collapse;"> <tr> <td style="text-align: center;">7</td> <td style="text-align: center;">8</td> <td style="text-align: center;">9</td> </tr> <tr> <td style="text-align: center;">6</td> <td style="text-align: center;">4</td> <td style="text-align: center;">5</td> </tr> <tr> <td style="text-align: center;">12</td> <td style="text-align: center;">10</td> <td style="text-align: center;">11</td> </tr> <tr> <td style="text-align: center;">1</td> <td style="text-align: center;">2</td> <td style="text-align: center;">3</td> </tr> <tr> <td style="text-align: center;">L1</td> <td style="text-align: center;">L2</td> <td style="text-align: center;">L3</td> </tr> <tr> <td colspan="3" style="text-align: center;">230 V</td> </tr> </table>			7	8	9	6	4	5	12	10	11	1	2	3	L1	L2	L3	230 V		
7	8	9																									
6	4	5																									
12	10	11																									
1	2	3																									
L1	L2	L3																									
230 V																											
HP :	Poles :	FR:	Ins:	Duty: Cont	IP :	Max Amb 40°C	<table style="width: 100%; border-collapse: collapse;"> <tr> <td style="text-align: center;">7</td> <td style="text-align: center;">8</td> <td style="text-align: center;">9</td> </tr> <tr> <td style="text-align: center;">4</td> <td style="text-align: center;">5</td> <td style="text-align: center;">6</td> </tr> <tr> <td style="text-align: center;">12</td> <td style="text-align: center;">10</td> <td style="text-align: center;">11</td> </tr> <tr> <td style="text-align: center;">1</td> <td style="text-align: center;">2</td> <td style="text-align: center;">3</td> </tr> <tr> <td style="text-align: center;">L1</td> <td style="text-align: center;">L2</td> <td style="text-align: center;">L3</td> </tr> <tr> <td colspan="3" style="text-align: center;">460 V</td> </tr> </table>			7	8	9	4	5	6	12	10	11	1	2	3	L1	L2	L3	460 V		
7	8	9																									
4	5	6																									
12	10	11																									
1	2	3																									
L1	L2	L3																									
460 V																											
Hz :	CODE :		Hz :	HP :	Design :		<p>UL certified Class I, Division II, Groups A,B,C,D T3B</p>																				
Volts :	P.F :		Volts :	DE BRG :																							
Amps :	Eff :		Amps :	ODE BRG :																							
RPM :	S.F :		RPM :	WT :																							
CC306B				LOUIS ALLIS A WORLDWIDE ELECTRIC COMPANY																							

Model:	LAM25-18-284TCRD	Encl:	TEFC	Type:	AEH3	
HP:	25	Poles	4	FR:	284/6TC	Ins: F
Hz:	60	CODE:	G	Hz	50	HP: 25
Volts:	230/460	P.F:	0.83	Volts:	190/380	Design: B
Amps:	59.6/29.8	Eff:	0.936	Amps	71.6/35.8	DE BRG: 6311 C3
RPM:	1775	S.F:	1.25	RPM	1465	ODE BRG: 6310 C3
				S.F:	1.00	WT: 414.5 lbs.