

DATA SHEET

Premium Efficiency Motor: **LAM250-18-449TCRD**

60 Hz

WorldWide Electric Corporation

1 (800) 808-2131

Worldwideelectric.net



Document Generated: 14-Sep-2023
Document ID:

Customer:

MOTOR INFORMATION	
HP	250
RPM	1800
Phase	3
Frequency	60 Hz
Voltage	460
Frame Size	447/9TC
Enclosure	TEFC
Degree of Protection	IP55
Service Factor	1.15
Poles	4
Full Load Speed	1790
Insulation Class	F
Temp Rise	80°C
NEMA Code Letter	G
Duty Cycle	S1 / Continuous
Slip	0.56%
NEMA Design	B
Moment of Inertia	96.5 lb.ft.^2
Locked Rotor Time (Hot)	12 seconds
Sound Pressure Level	105 dB(A)
Number of Starts	2 Cold/1 Hot
Max Ambient Temperature	40°C
Max Elevation	1000 m.a.s.l (3300 f.a.s.l)
Mounting	Rigid
Rotation	Bi-Directional
Area of Classification	Class 1 Division 2 Groups A,B,C,D T3B
Inverter Rating	10:1 CT / 20:1 VT
Standard	NEMA MG-1
Approvals	UL, CE, IEEE45, ABS

EFFICIENCY/POWER FACTOR		
LOAD	EFF	P. F.
100%	96.2 %	0.89
75%	96.5 %	0.87
50%	96.2 %	0.81

TORQUE		
FULL LOAD	LRT	BDT
728 lb.ft.	216 %	360 %

AMPERAGE INFORMATION		
	230V	460V
Full Load Amps	--A	270.2
Locked Rotor Amps	--A	1941A
No Load Current	--A	76.8A
Usable at 208V		-- A

BEARING INFORMATION	
DE Bearing	6320 C3
ODE Bearing	6316 C3
Grease Type	Mobil Polyrex EM
DE Regreasing Interval	2400 Hours
ODE Regreasing Interval	3600 Hours
Grease Quantity	51g/33g

ADDITIONAL DATA	
F2 Suitable	Yes
Shaft Material	4140
Connection Diagram	6 Lead Delta
Approximate Weight	2529.8 lbs.

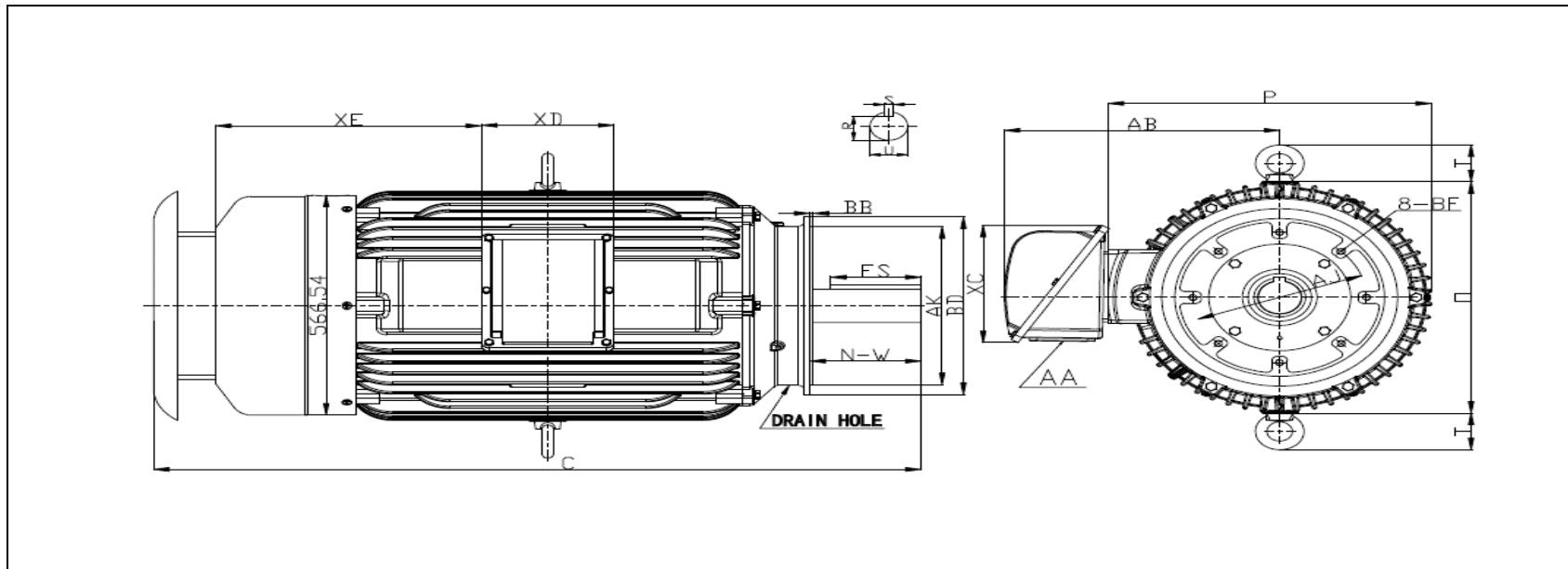
MOTOR DRAWING

Premium Efficiency Motor: **LAM250-18-449TCRD**

WorldWide Electric Corporation

1 (800) 808-2131

Worldwideelectric.net



DIMENSION - INCHES

FLANGE MOUNTING					C	P	O	T	AB
AK	BD	AJ	BF	BB					
#N/A	#N/A	#N/A	#N/A	#N/A	#N/A	#N/A	#N/A	#N/A	#N/A

SHAFT & KEY				
S	ES	R	N-W	U
#N/A	#N/A	#N/A	#N/A	#N/A

TERMINAL BOX			
AA	XC	XD	XE
#N/A	#N/A	#N/A	#N/A

PERFORMANCE CURVES

WorldWide Electric Corporation

1 (800) 808-2131

Worldwideelectric.net



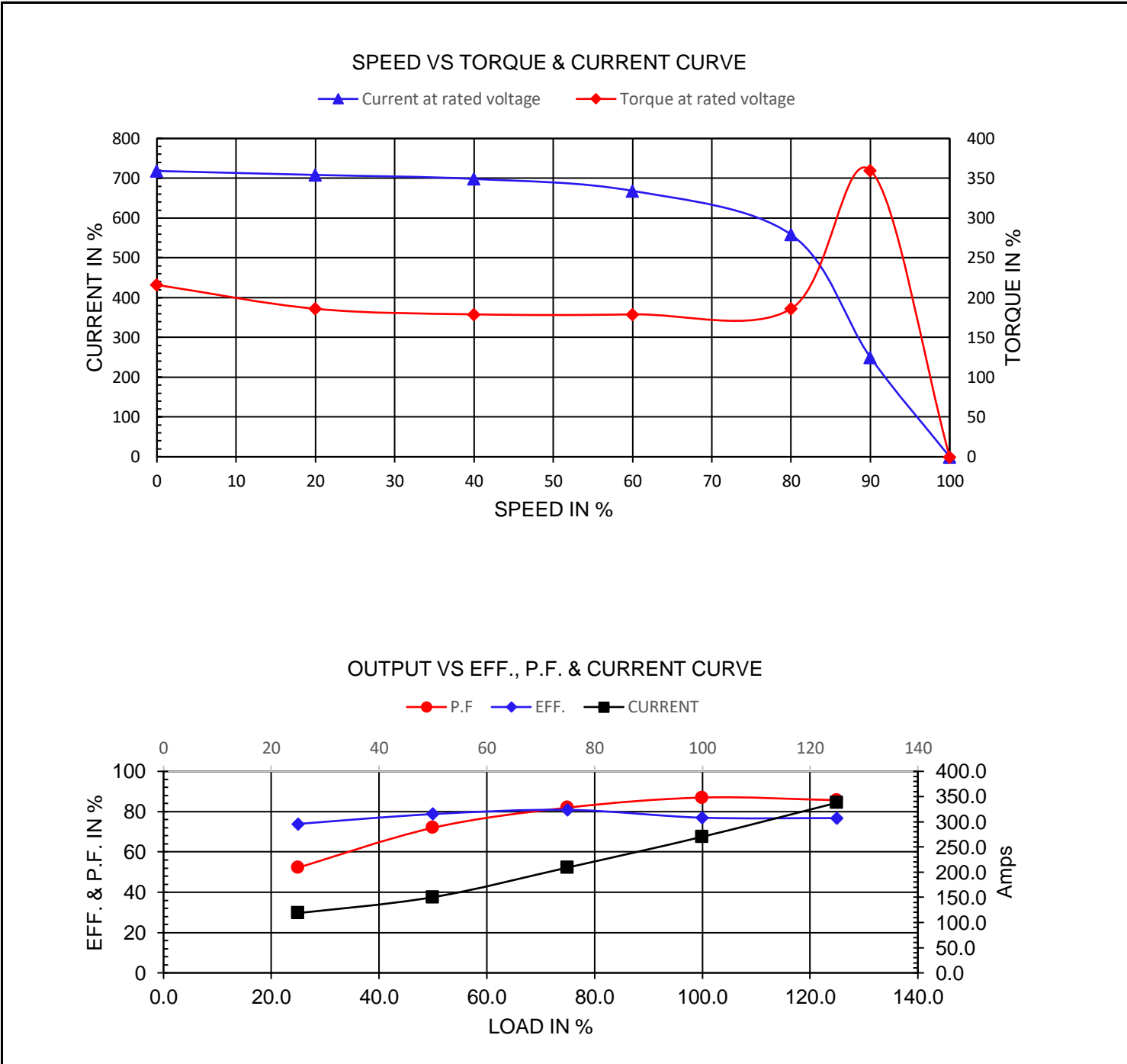
Premium Efficiency Motor:

LAM250-18-449TCRD

Document Generated: 14-Sep-2023
Document ID:

Customer:

Motor Type	LAM		FL Speed	1790	
Output Rating (HP)	250		LRT (%FLT)	216	460 volt FLA 270.2
Full Load Torque	728 lb.ft		BDT (%FLT)	360	230 volt FLA --A
Rotor Wk^2	96.5 lb-ft^2				



NAMEPLATE / WIRING

Premium Efficiency Motor: **LAM250-18-449TCRD**

WorldWide Electric Corporation

1 (800) 808-2131

Worldwideelectric.net



Document Generated: 14-Sep-2023
Document ID:

Customer:

SAMPLE NAMEPLATE DATA

		THREE PHASE SEVERE DUTY MOTOR IEEE45								
Model :			Encl :		Type :		SN :			
HP :	Poles :	FR:	Ins:	Duty: Cont	IP :	Max Amb 40°C				
Hz :	CODE :		Hz :	HP :	Design :					
Volts :	P.F :		Volts :	DE BRG :						
Amps :	Eff :		Amps :	ODE BRG :						
RPM :	S.F :		RPM :	WT :						
			S.F :		Date :					
CC306B					LOUIS ALLIS					
					A WORLDWIDE ELECTRIC COMPANY					
							UL certified Class I, Division II, Groups A,B,C,D T3B			

Model:	LAM250-18-449TCRD	Encl:	TEFC	Type:	AEH3
HP:	250	Poles	4	FR:	447/9TC
Hz:	60	CODE:	G	Ins:	F
Volts:	460	P.F:	0.89	HP:	200
Amps:	270.2	Eff:	0.962	Design:	B
RPM:	1790	S.F:	1.25	DE BRG:	6320 C3
				ODE BRG:	6316 C3
				WT:	2529.8 lbs.
				S.F:	1.00