

# DATA SHEET

Premium Efficiency Motor: **LAM30-12-326TC**

**60 Hz**

WorldWide Electric Corporation

1 (800) 808-2131

Worldwideelectric.net



Document Generated: 14-Sep-2023  
Document ID:

Customer:

MOTOR INFORMATION	
HP	30
RPM	1200
Phase	3
Frequency	60Hz
Voltage	230/460
Frame Size	324/6TC
Enclosure	TEFC
Degree of Protection	IP55
Service Factor	1.25
Poles	6
Full Load Speed	1185
Insulation Class	F
Temp Rise	80°C
NEMA Code Letter	G
Duty Cycle	S1 / Continuous
Slip	1.25%
NEMA Design	B
Moment of Inertia	10.748 lb.ft.^2
Locked Rotor Time (Hot)	12 seconds
Sound Pressure Level	83 dB(A)
Number of Starts	2 Cold/1 Hot
Max Ambient Temperature	40°C
Max Elevation	1000 m.a.s.l (3300 f.a.s.l)
Mounting	F1
Rotation	Bi-Directional
Area of Classification	Class 1 Division 2 Groups A,B,C,D T3B
Inverter Rating	10:1 CT / 20:1 VT
Standard	NEMA MG-1
Approvals	UL, CE, IEEE45, ABS

EFFICIENCY/POWER FACTOR		
LOAD	EFF	P. F.
100%	93.0 %	0.79
75%	93.2 %	0.83
50%	93.1 %	0.75

TORQUE		
FULL LOAD	LRT	BDT
131.7 lb.ft.	243 %	288 %

AMPERAGE INFORMATION		
	230V	460V
Full Load Amps	74.8A	37.4
Locked Rotor Amps	466.6A	233.3A
No Load Current	23.4A	11.7A
Usable at 208V		76.5 A

BEARING INFORMATION	
DE Bearing	6314 C3
ODE Bearing	6212 C3
Grease Type	Mobil Polyrex EM
DE Regreasing Interval	2400 Hours
ODE Regreasing Interval	3600 Hours
Grease Quantity	26g/12g

ADDITIONAL DATA	
F2 Suitable	Yes
Shaft Material	AISI 1045
Connection Diagram	12 Lead Delta
Approximate Weight	692.2 lbs.

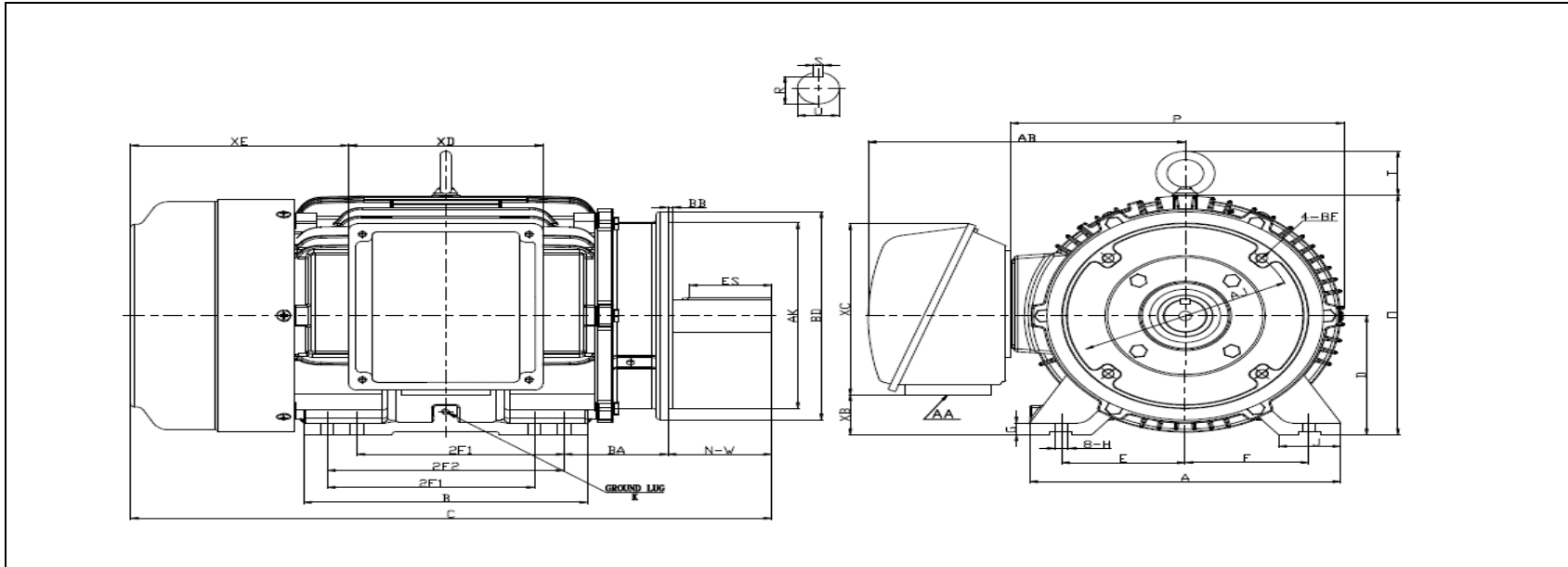
# MOTOR DRAWING

Premium Efficiency Motor: **LAM30-12-326TC**

WorldWide Electric Corporation

1 (800) 808-2131

Worldwideelectric.net



## DIMENSION - INCHES

MOUNTING					A	B	C	D	G	P	O	T	AB
E	2F1	2F2	H	BA									
6.25	10.5	12	0.66	5.25	15.75	14.37	32.67	8	0.984	16.9	16.19	2.42	16.2

SHAFT & KEY				
S	ES	R	N-W	U
0.5	3.91	1.845	5.25	2.125

TERMINAL BOX				
AA	XB	XC	XD	XE
2 NPT	2.7	11.27	9.17	11.1

GROUND LUG
M8

FLANGE				
AK	BD	AJ	BF	BB
12.5	14	11	4*5/8-11	0.25

# PERFORMANCE CURVES

Premium Efficiency Motor:

**LAM30-12-326TC**

WorldWide Electric Corporation

1 (800) 808-2131

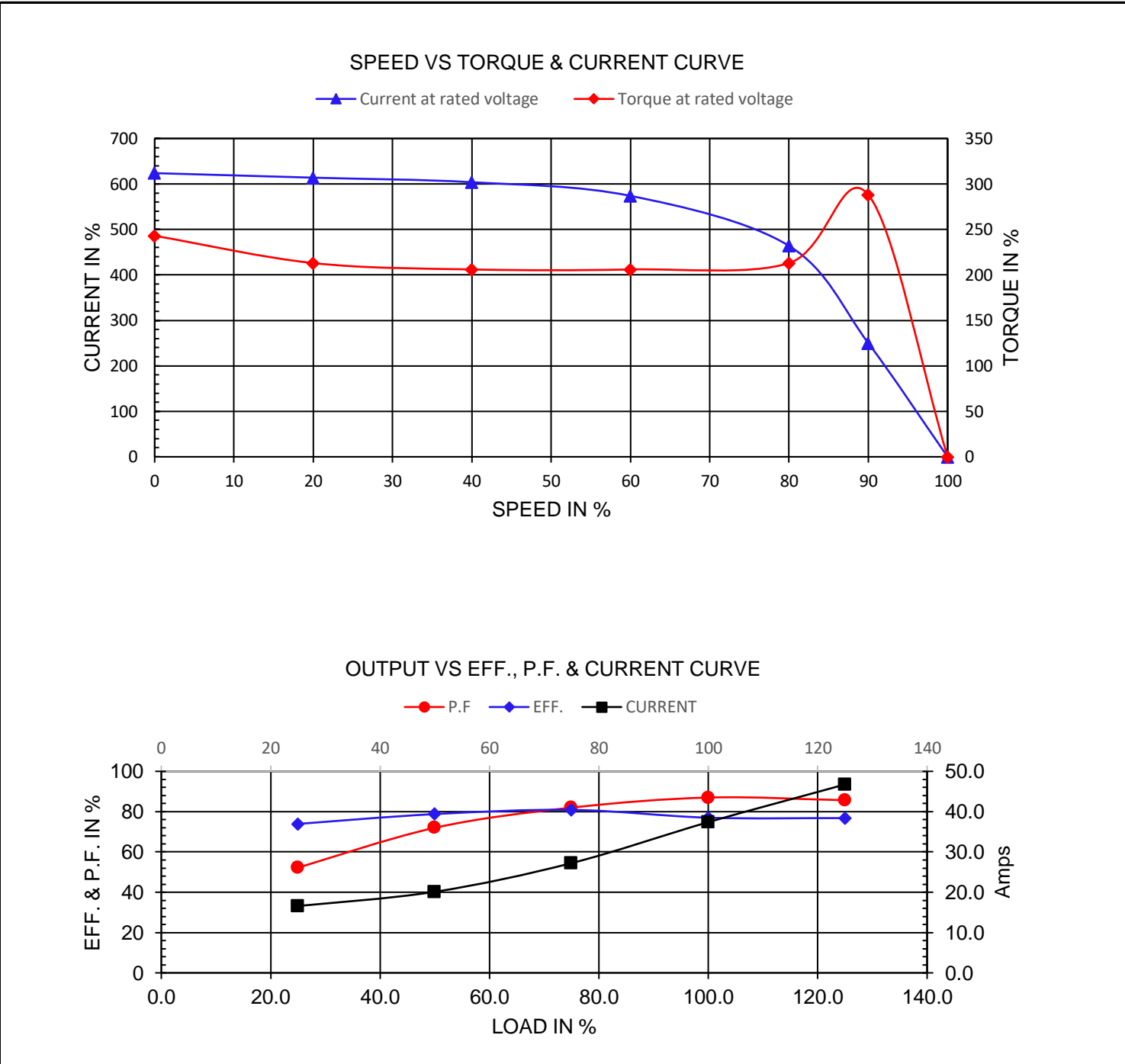
Worldwideelectric.net



Document Generated: 14-Sep-2023  
 Document ID:

Customer:

Motor Type	LAM		FL Speed	1185	
Output Rating (HP)	30		LRT (%FLT)	243	460 volt FLA 37.4
Full Load Torque	131.7	lb.ft	BDT (%FLT)	288	230 volt FLA 74.8A
Rotor Wk^2	10.748	lb-ft^2			



# NAMEPLATE / WIRING

Premium Efficiency Motor: **LAM30-12-326TC**

WorldWide Electric Corporation

1 (800) 808-2131

Worldwideelectric.net



Document Generated: 14-Sep-2023  
Document ID:

Customer:

## SAMPLE NAMEPLATE DATA

		<b>THREE PHASE SEVERE DUTY MOTOR IEEE45</b>							
Model :		Encl :	Type :	SN :		7	8	9	
HP :	Poles :	FR:	Ins:	Duty: Cont	IP :	Max Amb 40°C	6	4	5
Hz :	CODE :		Hz :	HP :	Design :		12	10	11
Volts :	P.F :		Volts :	DE BRG :		1	2	3	L1 L2 L3
Amps :	Eff :		Amps :	ODE BRG :		7	8	9	230 V
RPM :	S.F :		RPM :	WT :		4	5	6	
			S.F :	Date :		12	10	11	
						1	2	3	L1 L2 L3
									460 V
CC306B					LOUIS ALLIS A WORLDWIDE ELECTRIC COMPANY				UL certified Class I, Division II, Groups A,B,C,D T3B

<b>Model:</b>	LAM30-12-326TC	<b>Encl:</b>	TEFC	<b>Type:</b>	AEH3	
<b>HP:</b>	30	<b>Poles</b>	6	<b>FR:</b>	324/6TC	<b>Ins:</b> F
<b>Hz:</b>	60	<b>CODE:</b>	G	<b>Hz</b>	50	<b>HP:</b> 30
<b>Volts:</b>	230/460	<b>P.F:</b>	0.79	<b>Volts:</b>	190/380	<b>Design:</b> B
<b>Amps:</b>	74.8/37.4	<b>Eff:</b>	0.93	<b>Amps</b>	88.8/44.4	<b>DE BRG:</b> 6314 C3
<b>RPM:</b>	1185	<b>S.F:</b>	1.25	<b>RPM</b>	980	<b>ODE BRG:</b> 6212 C3
				<b>S.F:</b>	1.00	<b>WT:</b> 692.2 lbs.