

DATA SHEET

Premium Efficiency Motor: **LAM30-18-286TC**

60 Hz

WorldWide Electric Corporation

1 (800) 808-2131

Worldwideelectric.net



Document Generated: 14-Sep-2023
Document ID:

Customer:

MOTOR INFORMATION	
HP	30
RPM	1800
Phase	3
Frequency	60 Hz
Voltage	230/460
Frame Size	284/6TC
Enclosure	TEFC
Degree of Protection	IP55
Service Factor	1.25
Poles	4
Full Load Speed	1770
Insulation Class	F
Temp Rise	80°C
NEMA Code Letter	G
Duty Cycle	S1 / Continuous
Slip	1.67%
NEMA Design	B
Moment of Inertia	3.69 lb.ft.^2
Locked Rotor Time (Hot)	12 seconds
Sound Pressure Level	88 dB(A)
Number of Starts	2 Cold/1 Hot
Max Ambient Temperature	40°C
Max Elevation	1000 m.a.s.l (3300 f.a.s.l)
Mounting	F1
Rotation	Bi-Directional
Area of Classification	Class 1 Division 2 Groups A,B,C,D T3B
Inverter Rating	10:1 CT / 20:1 VT
Standard	NEMA MG-1
Approvals	UL, CE, IEEE45, ABS

EFFICIENCY/POWER FACTOR		
LOAD	EFF	P. F.
100%	93.6 %	0.83
75%	94.0 %	0.79
50%	93.7 %	0.69

TORQUE		
FULL LOAD	LRT	BDT
87.33 lb.ft.	266 %	311 %

AMPERAGE INFORMATION		
	230V	460V
Full Load Amps	71.4A	35.7
Locked Rotor Amps	441.8A	220.9A
No Load Current	27.2A	13.6A
Usable at 208V		79 A

BEARING INFORMATION	
DE Bearing	6311 C3
ODE Bearing	6310 C3
Grease Type	Mobil Polyrex EM
DE Regreasing Interval	2400 Hours
ODE Regreasing Interval	3600 Hours
Grease Quantity	17g/15g

ADDITIONAL DATA	
F2 Suitable	Yes
Shaft Material	AISI 1045
Connection Diagram	12 Lead Delta
Approximate Weight	459.7 lbs.

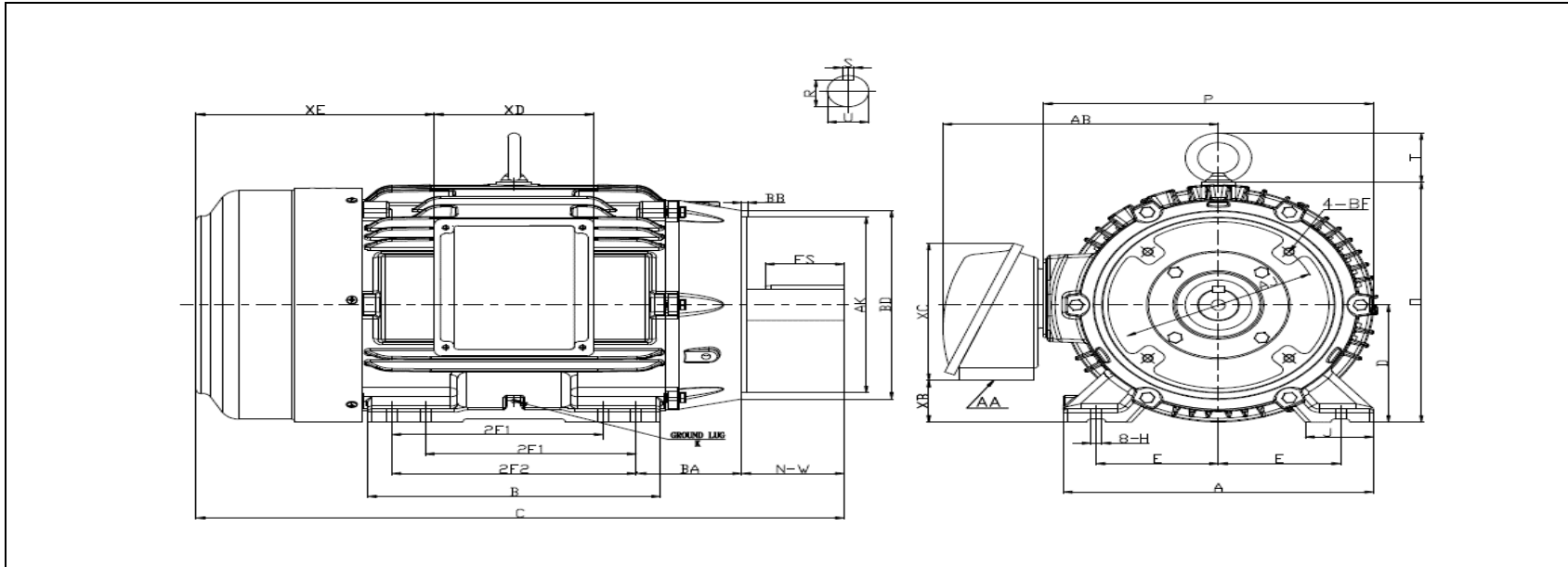
MOTOR DRAWING

Premium Efficiency Motor: **LAM30-18-286TC**

WorldWide Electric Corporation

1 (800) 808-2131

Worldwideelectric.net



DIMENSION - INCHES

MOUNTING					A	B	C	D	G	P	O	T	AB
E	2F1	2F2	H	BA									
5.5	9.5	11	0.53	4.75	13.97	13.18	29.1	7	0.7795	14.56	14.04	2.42	12.02

SHAFT & KEY				
S	ES	R	N-W	U
0.5	3.28	1.59	4.62	1.875

TERMINAL BOX				
AA	XB	XC	XD	XE
1-1/2 NPT	2.75	8.17	6.85	10.3

GROUND LUG
M8

FLANGE				
AK	BD	AJ	BF	BB
10.5	11.25	9	4*1/2-13	0.25

PERFORMANCE CURVES

WorldWide Electric Corporation

1 (800) 808-2131

Worldwideelectric.net



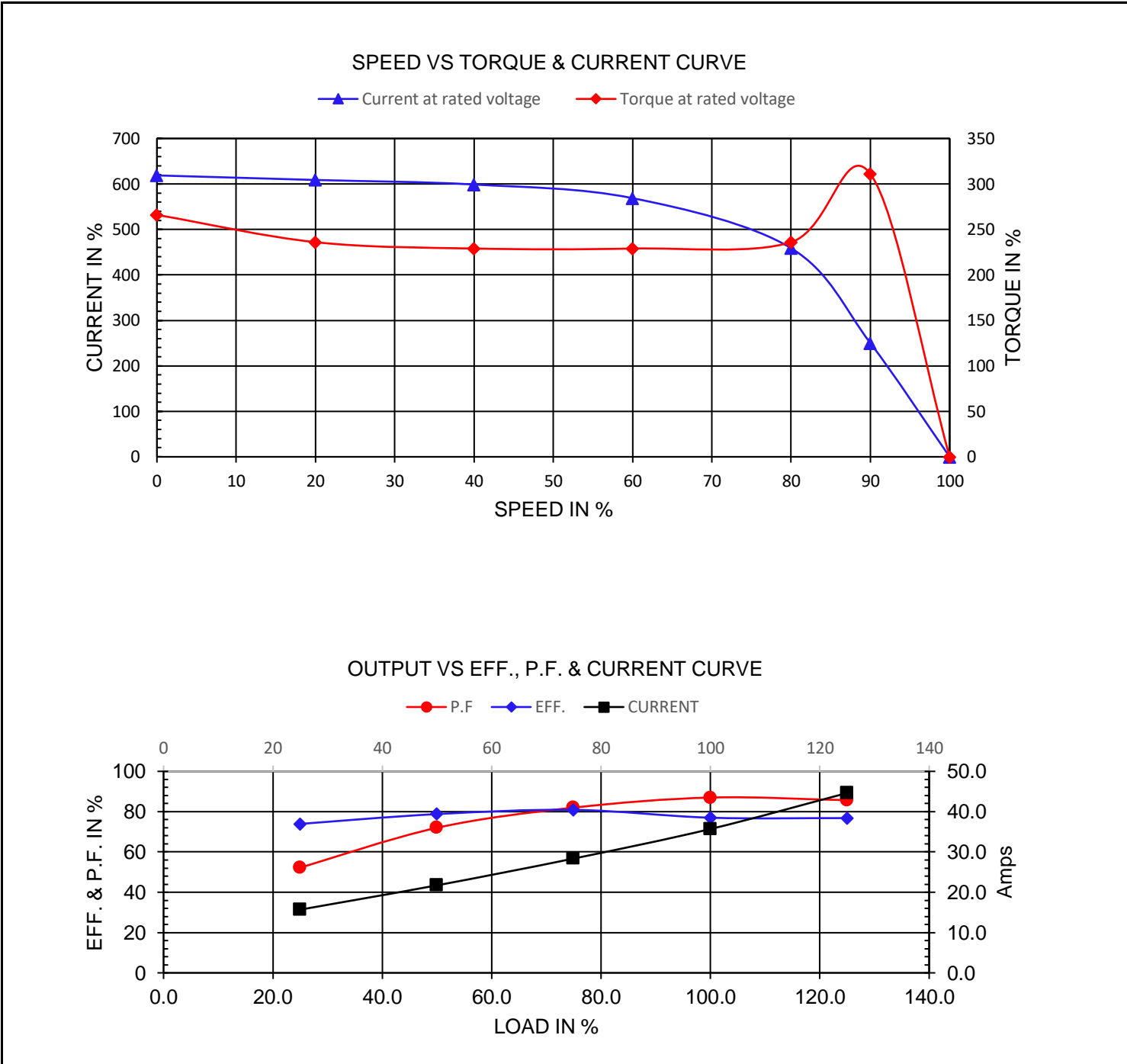
Premium Efficiency Motor:

LAM30-18-286TC

Document Generated: 14-Sep-2023
Document ID:

Customer:

Motor Type	LAM		FL Speed	1770	
Output Rating (HP)	30		LRT (%FLT)	266	460 volt FLA 35.7
Full Load Torque	87.33	lb.ft	BDT (%FLT)	311	230 volt FLA 71.4A
Rotor Wk^2	3.69	lb-ft^2			



NAMEPLATE / WIRING

Premium Efficiency Motor: **LAM30-18-286TC**

WorldWide Electric Corporation

1 (800) 808-2131

Worldwideelectric.net



Document Generated: 14-Sep-2023
Document ID:

Customer:

SAMPLE NAMEPLATE DATA

		THREE PHASE SEVERE DUTY MOTOR IEEE45							
Model :		Encl :	Type :	SN :		7	8	9	
HP :	Poles :	FR:	Ins:	Duty: Cont	IP :	6	4	5	
					Max Amb 40°C	12	10	11	
						1	2	3	
Hz :	CODE :	Hz :	HP :	Design :		L1	L2	L3	
Volts :	P.F :	Volts :		DE BRG :		230 V			
Amps :	Eff :	Amps :		ODE BRG :		7	8	9	
RPM :	S.F :	RPM :	S.F :	WT :		4	5	6	
				Date :		12	10	11	
						1	2	3	
						L1	L2	L3	
						460 V			
CC306B		LOUIS ALLIS	A WORLDWIDE ELECTRIC COMPANY			UL certified Class I, Division II, Groups A,B,C,D T3B			

Model:	LAM30-18-286TC	Encl:	TEFC	Type:	AEH3		
HP:	30	Poles	4	FR:	284/6TC	Ins:	F
Hz:	60	CODE:	G	Hz	50	HP:	30
Volts:	230/460	P.F:	0.83	Volts:	190/380	Design:	B
Amps:	71.4/35.7	Eff:	0.936	Amps	86.0/43.0	DE BRG:	6311 C3
RPM:	1770	S.F:	1.25	RPM	1460	ODE BRG:	6310 C3
				S.F:	1.00	WT:	459.7 lbs.