

DATA SHEET

Premium Efficiency Motor: **LAM30-18-286TCRD**

60 Hz

WorldWide Electric Corporation

1 (800) 808-2131

Worldwideelectric.net



Document Generated: 14-Sep-2023
Document ID:

Customer:

| MOTOR INFORMATION | |
|-------------------------|---------------------------------------|
| HP | 30 |
| RPM | 1800 |
| Phase | 3 |
| Frequency | 60 Hz |
| Voltage | 230/460 |
| Frame Size | 284/6TC |
| Enclosure | TEFC |
| Degree of Protection | IP55 |
| Service Factor | 1.25 |
| Poles | 4 |
| Full Load Speed | 1770 |
| Insulation Class | F |
| Temp Rise | 80°C |
| NEMA Code Letter | G |
| Duty Cycle | S1 / Continuous |
| Slip | 1.67% |
| NEMA Design | B |
| Moment of Inertia | 3.69 lb.ft.^2 |
| Locked Rotor Time (Hot) | 12 seconds |
| Sound Pressure Level | 88 dB(A) |
| Number of Starts | 2 Cold/1 Hot |
| Max Ambient Temperature | 40°C |
| Max Elevation | 1000 m.a.s.l (3300 f.a.s.l) |
| Mounting | F1 |
| Rotation | Bi-Directional |
| Area of Classification | Class 1 Division 2 Groups A,B,C,D T3B |
| Inverter Rating | 10:1 CT / 20:1 VT |
| Standard | NEMA MG-1 |
| Approvals | UL, CE, IEEE45, ABS |

| EFFICIENCY/POWER FACTOR | | |
|-------------------------|--------|-------|
| LOAD | EFF | P. F. |
| 100% | 93.6 % | 0.83 |
| 75% | 94.0 % | 0.79 |
| 50% | 93.7 % | 0.69 |

| TORQUE | | |
|--------------|-------|-------|
| FULL LOAD | LRT | BDT |
| 87.33 lb.ft. | 266 % | 311 % |

| AMPERAGE INFORMATION | | |
|----------------------|--------|--------|
| | 230V | 460V |
| Full Load Amps | 71.4A | 35.7 |
| Locked Rotor Amps | 441.8A | 220.9A |
| No Load Current | 27.2A | 13.6A |
| Usable at 208V | | 79 A |

| BEARING INFORMATION | |
|-------------------------|------------------|
| DE Bearing | 6311 C3 |
| ODE Bearing | 6310 C3 |
| Grease Type | Mobil Polyrex EM |
| DE Regreasing Interval | 2400 Hours |
| ODE Regreasing Interval | 3600 Hours |
| Grease Quantity | 17g/15g |

| ADDITIONAL DATA | |
|--------------------|---------------|
| F2 Suitable | Yes |
| Shaft Material | AISI 1045 |
| Connection Diagram | 12 Lead Delta |
| Approximate Weight | 459.7 lbs. |

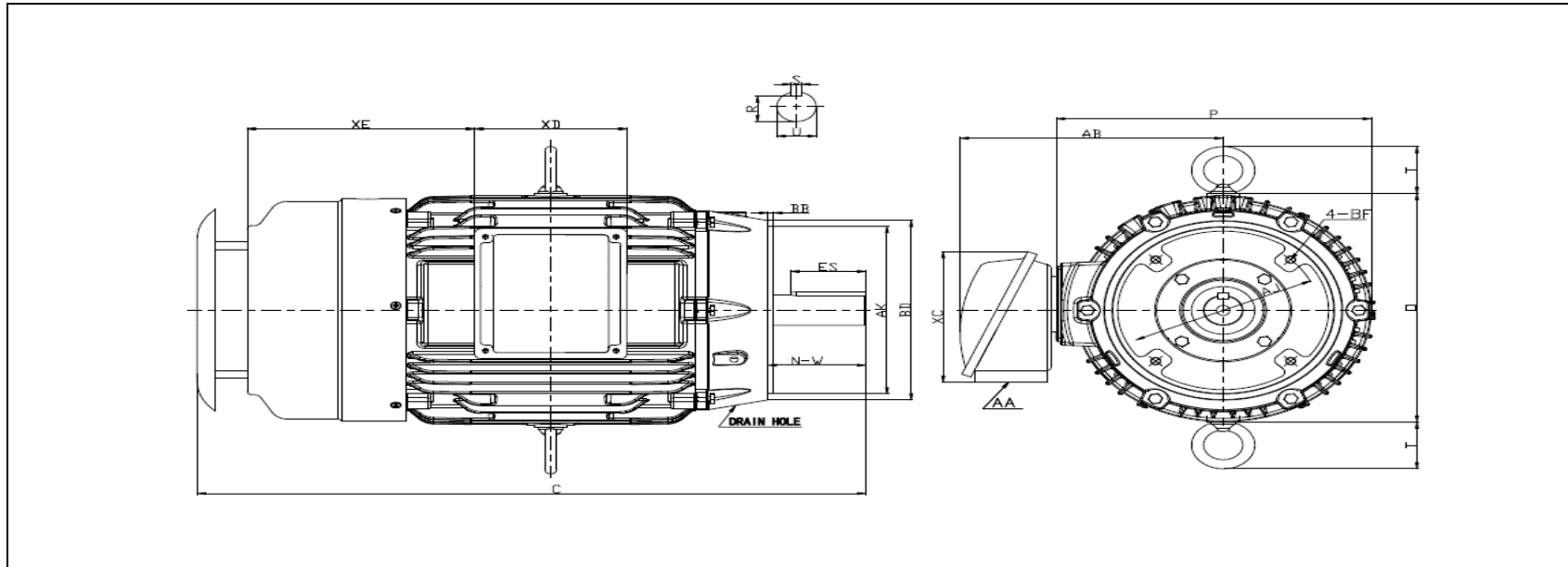
MOTOR DRAWING

Premium Efficiency Motor: **LAM30-18-286TCRD**

WorldWide Electric Corporation

1 (800) 808-2131

Worldwideelectric.net



DIMENSION - INCHES

| FLANGE MOUNTING | | | | | C | P | O | T | AB |
|-----------------|-------|----|----------|------|------|-------|-------|------|-------|
| AK | BD | AJ | BF | BB | | | | | |
| 10.5 | 11.25 | 9 | 4*1/2-13 | 0.25 | 31.5 | 14.56 | 14.04 | 2.42 | 12.02 |

| SHAFT & KEY | | | | |
|-------------|------|------|------|-------|
| S | ES | R | N-W | U |
| 0.5 | 3.28 | 1.59 | 4.62 | 1.875 |

| TERMINAL BOX | | | |
|--------------|------|------|------|
| AA | XC | XD | XE |
| 1-1/2 NPT | 8.17 | 6.85 | 10.3 |

PERFORMANCE CURVES

WorldWide Electric Corporation

1 (800) 808-2131

Worldwideelectric.net

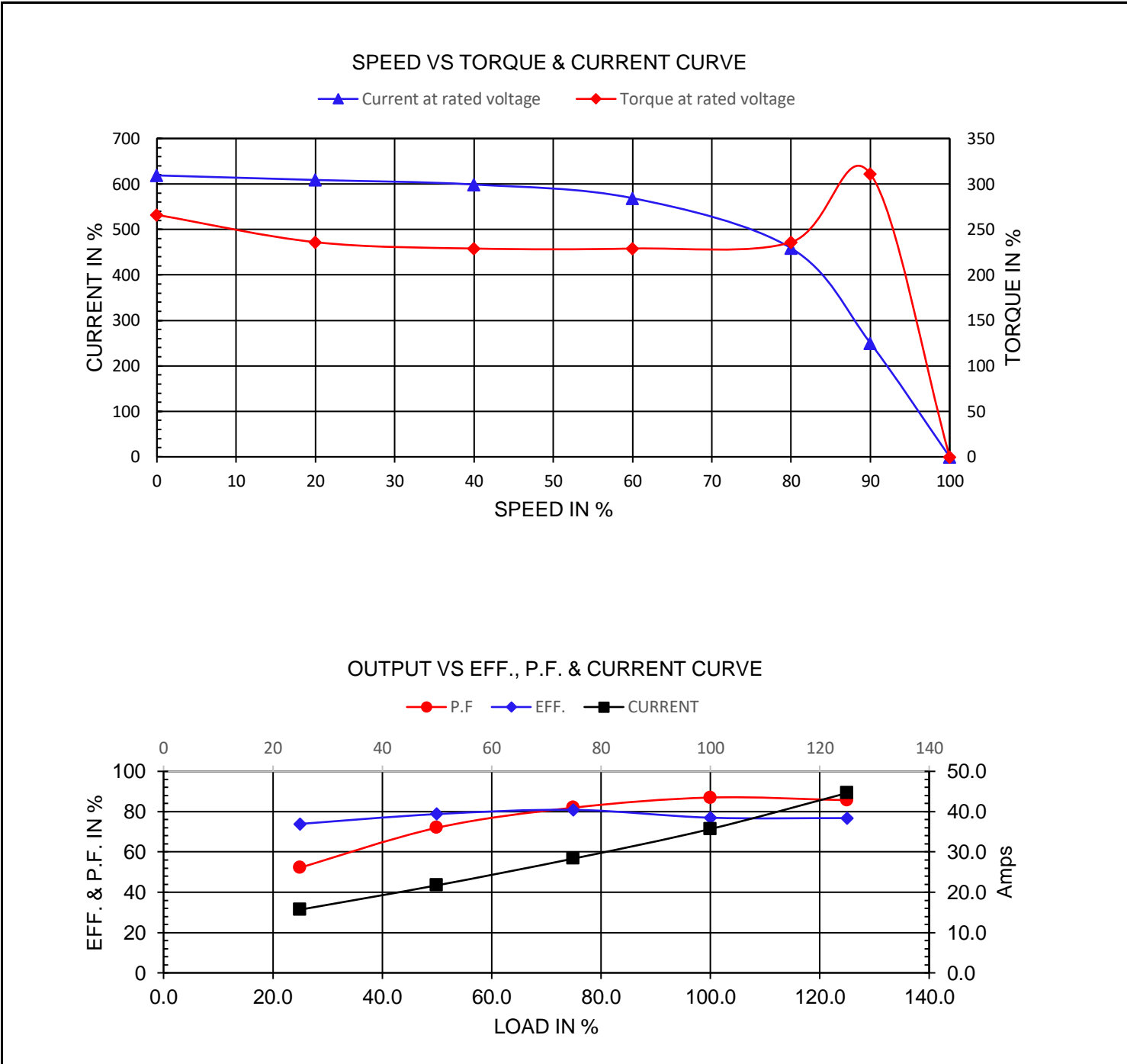


Premium Efficiency Motor:

LAM30-18-286TCRD

| | |
|---------------------------------|-----------|
| Document Generated: 14-Sep-2023 | Customer: |
| Document ID: | |

| | | | | | |
|-----------------------|-------|--------------------|--------------|-------|--|
| Motor Type | LAM | | FL Speed | 1770 | |
| Output Rating (HP) | 30 | | LRT (%FLT) | 266 | |
| Full Load Torque | 87.33 | lb.ft | 460 volt FLA | 35.7 | |
| Rotor Wk ² | 3.69 | lb-ft ² | 230 volt FLA | 71.4A | |
| | | | BDT (%FLT) | 311 | |



NAMEPLATE / WIRING

Premium Efficiency Motor: **LAM30-18-286TCRD**

WorldWide Electric Corporation

1 (800) 808-2131

Worldwideelectric.net



Document Generated: 14-Sep-2023
Document ID:

Customer:

SAMPLE NAMEPLATE DATA

| | | | | | | | | | | | | | | | | | | | | | | | | | | | |
|---------|---------|---|---------|------------|----------|--------------|---|--|--|---|---|---|---|---|---|----|----|----|---|---|---|----|----|----|-------|--|--|
| | | THREE PHASE SEVERE DUTY MOTOR IEEE45 | | | | | | | | | | | | | | | | | | | | | | | | | |
| Model : | | Encl : | Type : | SN : | | | <table style="width: 100%; text-align: center;"> <tr> <td>7</td><td>8</td><td>9</td></tr> <tr> <td>6</td><td>4</td><td>5</td></tr> <tr> <td>12</td><td>10</td><td>11</td></tr> <tr> <td>1</td><td>2</td><td>3</td></tr> <tr> <td>L1</td><td>L2</td><td>L3</td></tr> <tr> <td colspan="3">230 V</td></tr> </table> | | | 7 | 8 | 9 | 6 | 4 | 5 | 12 | 10 | 11 | 1 | 2 | 3 | L1 | L2 | L3 | 230 V | | |
| 7 | 8 | 9 | | | | | | | | | | | | | | | | | | | | | | | | | |
| 6 | 4 | 5 | | | | | | | | | | | | | | | | | | | | | | | | | |
| 12 | 10 | 11 | | | | | | | | | | | | | | | | | | | | | | | | | |
| 1 | 2 | 3 | | | | | | | | | | | | | | | | | | | | | | | | | |
| L1 | L2 | L3 | | | | | | | | | | | | | | | | | | | | | | | | | |
| 230 V | | | | | | | | | | | | | | | | | | | | | | | | | | | |
| HP : | Poles : | FR: | Ins: | Duty: Cont | IP : | Max Amb 40°C | <table style="width: 100%; text-align: center;"> <tr> <td>7</td><td>8</td><td>9</td></tr> <tr> <td>4</td><td>5</td><td>6</td></tr> <tr> <td>12</td><td>10</td><td>11</td></tr> <tr> <td>1</td><td>2</td><td>3</td></tr> <tr> <td>L1</td><td>L2</td><td>L3</td></tr> <tr> <td colspan="3">460 V</td></tr> </table> | | | 7 | 8 | 9 | 4 | 5 | 6 | 12 | 10 | 11 | 1 | 2 | 3 | L1 | L2 | L3 | 460 V | | |
| 7 | 8 | 9 | | | | | | | | | | | | | | | | | | | | | | | | | |
| 4 | 5 | 6 | | | | | | | | | | | | | | | | | | | | | | | | | |
| 12 | 10 | 11 | | | | | | | | | | | | | | | | | | | | | | | | | |
| 1 | 2 | 3 | | | | | | | | | | | | | | | | | | | | | | | | | |
| L1 | L2 | L3 | | | | | | | | | | | | | | | | | | | | | | | | | |
| 460 V | | | | | | | | | | | | | | | | | | | | | | | | | | | |
| Hz : | CODE : | | Hz : | HP : | Design : | | | | | | | | | | | | | | | | | | | | | | |
| Volts : | P.F : | | Volts : | DE BRG : | | | | | | | | | | | | | | | | | | | | | | | |
| Amps : | Eff : | | Amps : | ODE BRG : | | | | | | | | | | | | | | | | | | | | | | | |
| RPM : | S.F : | | RPM : | WT : | | | | | | | | | | | | | | | | | | | | | | | |
| | | | S.F : | Date : | | | | | | | | | | | | | | | | | | | | | | | |
| CC306B | | LOUIS ALLIS A WORLDWIDE ELECTRIC COMPANY | | | | | | | | | | | | | | | | | | | | | | | | | |

| | | | | | | |
|---------------|------------------|--------------|-------|---------------|-----------|-------------------------|
| Model: | LAM30-18-286TCRD | Encl: | TEFC | Type: | AEH3 | |
| HP: | 30 | Poles | 4 | FR: | 284/6TC | Ins: F |
| Hz: | 60 | CODE: | G | Hz | 50 | HP: 30 |
| Volts: | 230/460 | P.F: | 0.83 | Volts: | 190/380 | Design: B |
| Amps: | 71.4/35.7 | Eff: | 0.936 | Amps | 86.0/43.0 | DE BRG: 6311 C3 |
| RPM: | 1770 | S.F: | 1.25 | RPM | 1460 | ODE BRG: 6310 C3 |
| | | | | S.F: | 1.00 | WT: 459.7 lbs. |