

DATA SHEET

Premium Efficiency Motor: **LAM300-18-586/7**

60 Hz

WorldWide Electric Corporation

1 (800) 808-2131

Worldwideelectric.net



Document Generated: 8-Sep-2023
Document ID:

Customer:

MOTOR INFORMATION	
HP	300
RPM	1800
Phase	3
Frequency	60 Hz
Voltage	460
Frame Size	586/7
Enclosure	TEFC
Degree of Protection	IP55
Service Factor	1.15
Poles	4
Full Load Speed	1795
Insulation Class	F
Temp Rise	80°C
NEMA Code Letter	G
Duty Cycle	S1 / Continuous
Slip	0.28%
NEMA Design	B
Moment of Inertia	163.8 lb.ft.^2
Locked Rotor Time (Hot)	12 seconds
Sound Pressure Level	105 dB(A)
Number of Starts	2 Cold/1 Hot
Max Ambient Temperature	40°C
Max Elevation	1000 m.a.s.l (3300 f.a.s.l)
Mounting	Rigid
Rotation	Bi-Directional
Area of Classification	Class 1 Division 2 Groups A,B,C,D T3B
Inverter Rating	10:1 CT / 20:1 VT
Standard	NEMA MG-1
Approvals	UL, CE, IEEE45, ABS

EFFICIENCY/POWER FACTOR		
LOAD	EFF	P. F.
100%	96.2 %	0.86
75%	96.0 %	0.84
50%	95.1 %	0.77

TORQUE		
FULL LOAD	LRT	BDT
881.2 lb.ft.	264 %	345 %

AMPERAGE INFORMATION		
	230V	460V
Full Load Amps	--A	338.2A
Locked Rotor Amps	--A	2309A
No Load Current	--A	104.5A
Usable at 208V		-- A

BEARING INFORMATION	
DE Bearing	NU324 C3
ODE Bearing	6319 C3
Grease Type	Mobil Polyrex EM
DE Regreasing Interval	2400 Hours
ODE Regreasing Interval	3600 Hours
Grease Quantity	72g/45g

ADDITIONAL DATA	
F2 Suitable	Yes
Shaft Material	4140
Connection Diagram	6 Lead Delta
Approximate Weight	3752.3 lbs.

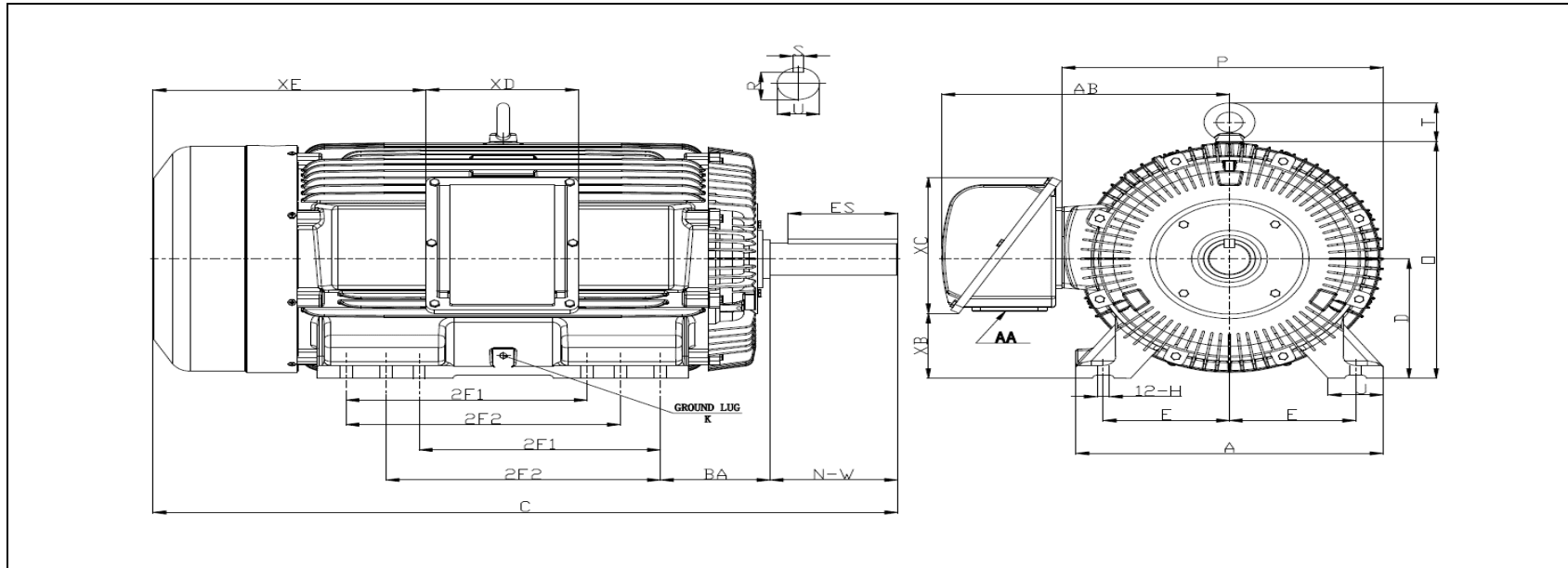
MOTOR DRAWING

Premium Efficiency Motor: **LAM300-18-586/7**

WorldWide Electric Corporation

1 (800) 808-2131

Worldwideelectric.net



DIMENSION - INCHES

MOUNTING					A	B	C	D	G	J	P	O	T	AB
E	2F1	2F2	H	BA										
11.5	22	25	1.125	10	28	33.85	65.6	14.5	2.05	5	29.72	28.86	4.66	23.9

SHAFT & KEY				
S	ES	R	N-W	U
1	10	3.309	11.625	3.875

TERMINAL BOX				
AA	XB	XC	XD	XE
2 X 3 NPT	5.3	16.2	13.9	23

GROUND LUG
M10

PERFORMANCE CURVES

WorldWide Electric Corporation

1 (800) 808-2131

Worldwideelectric.net



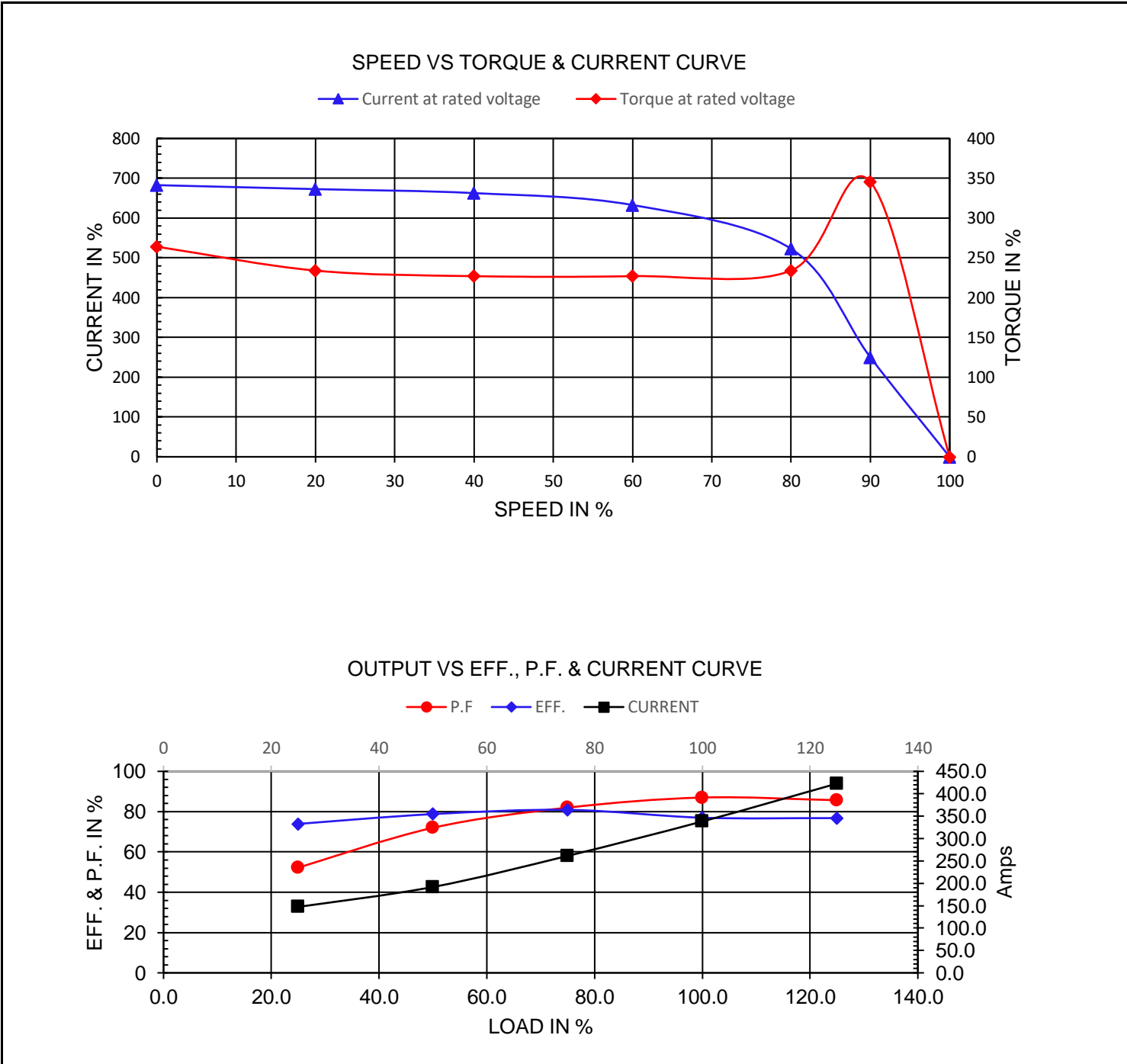
Premium Efficiency Motor:

LAM300-18-586/7

Document Generated: 8-Sep-2023
Document ID:

Customer:

Motor Type	AEH3		FL Speed	1795	
Output Rating (HP)	300		LRT (%FLT)	264	460 volt FLA 338.2
Full Load Torque	881.2 lb.ft		BDT (%FLT)	345.4	230 volt FLA --
Rotor Wk ²	163.8 lb-ft ²				



NAMEPLATE / WIRING

Premium Efficiency Motor: **LAM300-18-586/7**

WorldWide Electric Corporation

1 (800) 808-2131

Worldwideelectric.net



Document Generated: 8-Sep-2023
Document ID:

Customer:

SAMPLE NAMEPLATE DATA

		THREE PHASE SEVERE DUTY MOTOR IEEE45							
Model :			Encl :		Type :		SN :		
HP :	Poles :	FR:	Ins:	Duty: Cont	IP :	Max Amb 40°C			
Hz :	CODE :		Hz :	HP :	Design :				
Volts :	P.F :		Volts :	DE BRG :					
Amps :	Eff :		Amps :	ODE BRG :					
RPM :	S.F :		RPM :	WT :					
			S.F :	Date :					
CC306B		LOUIS ALLIS A WORLDWIDE ELECTRIC COMPANY							
								UL certified Class I, Division II, Groups A,B,C,D T3B	

Model:	LAM300-18-586/7			Encl:	TEFC	Type:	AEH3
HP:	300	Poles	4	FR:	586/7	Ins:	F
Hz:	60	CODE:	G	Hz	50	HP:	250
Volts:	460	P.F:	0.86	Volts:	380	Design: B	
Amps:	338.2	Eff:	0.962	Amps	330	DE BRG: NU324 C3	
RPM:	1795	S.F:	1.15	RPM	1490	ODE BRG: 6319 C3	
				S.F:	1.00	WT: 3752.3 lbs.	