

DATA SHEET

Premium Efficiency Motor: **LAM300-9-586/7**

60 Hz

WorldWide Electric Corporation

1 (800) 808-2131

Worldwideelectric.net



Document Generated: 8-Sep-2023
Document ID:

Customer:

MOTOR INFORMATION	
HP	300
RPM	900
Phase	3
Frequency	60Hz
Voltage	460
Frame Size	586/7
Enclosure	TEFC
Degree of Protection	IP55
Service Factor	1.15
Poles	8
Full Load Speed	890
Insulation Class	F
Temp Rise	80°C
NEMA Code Letter	G
Duty Cycle	S1 / Continuous
Slip	1.11%
NEMA Design	--
Moment of Inertia	270.7 lb.ft.^2
Locked Rotor Time (Hot)	12 seconds
Sound Pressure Level	100 dB(A)
Number of Starts	2 Cold/1 Hot
Max Ambient Temperature	40°C
Max Elevation	1000 m.a.s.l (3300 f.a.s.l)
Mounting	Rigid
Rotation	Bi-Directional
Area of Classification	Class 1 Division 2 Groups A,B,C,D T3B
Inverter Rating	10:1 CT / 20:1 VT
Standard	NEMA MG-1
Approvals	UL, CE, IEEE45, ABS

EFFICIENCY/POWER FACTOR		
LOAD	EFF	P. F.
100%	95.0 %	0.79
75%	94.8 %	0.73
50%	94.8 %	0.63

TORQUE		
FULL LOAD	LRT	BDT
1767.8 lb.ft.	194 %	241 %

AMPERAGE INFORMATION		
	230V	460V
Full Load Amps	--A	364.8A
Locked Rotor Amps	--A	2271.4A
No Load Current	--A	167.9A
Usable at 208V		-- A

BEARING INFORMATION	
DE Bearing	NU324 C3
ODE Bearing	6319 C3
Grease Type	Mobil Polyrex EM
DE Regreasing Interval	2400 Hours
ODE Regreasing Interval	3600 Hours
Grease Quantity	72g/45g

ADDITIONAL DATA	
F2 Suitable	Yes
Shaft Material	4140
Connection Diagram	6 Lead Delta
Approximate Weight	4386 lbs.

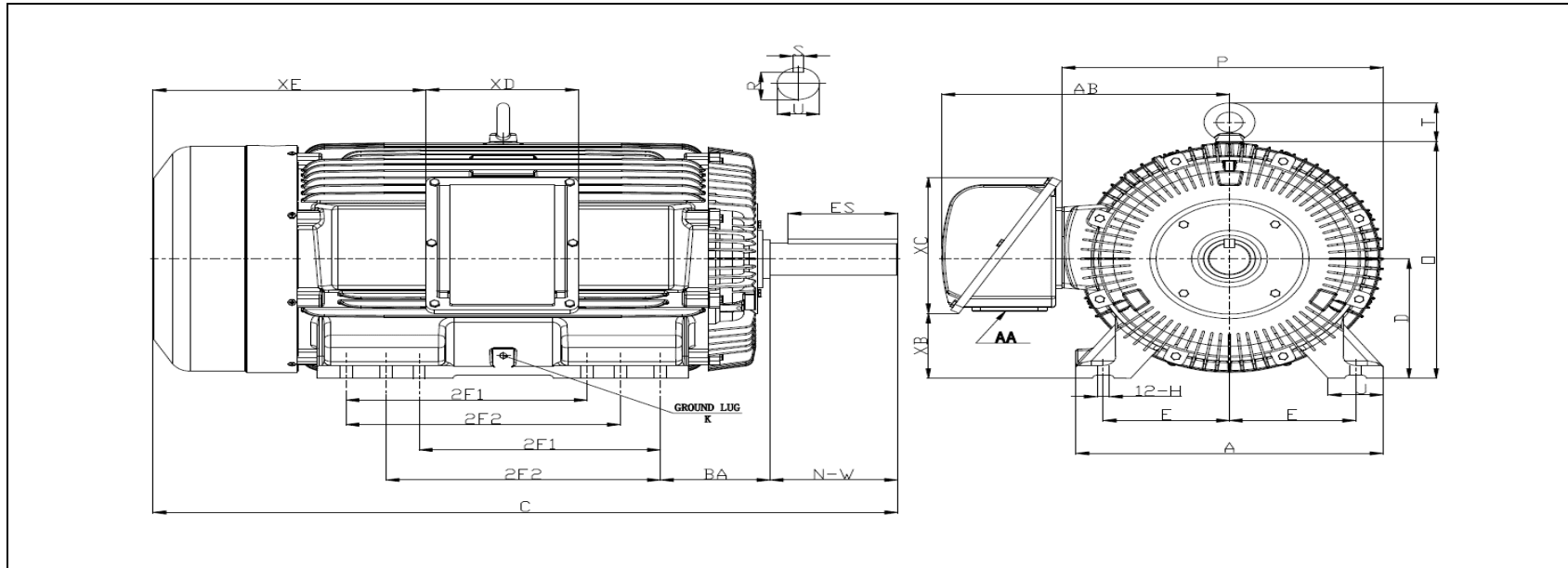
MOTOR DRAWING

Premium Efficiency Motor: **LAM300-9-586/7**

WorldWide Electric Corporation

1 (800) 808-2131

Worldwideelectric.net



DIMENSION - INCHES

MOUNTING					A	B	C	D	G	J	P	O	T	AB
E	2F1	2F2	H	BA										
11.5	22	25	1.125	10	28	33.85	65.6	14.5	2.05	5	29.72	28.86	4.66	23.9

SHAFT & KEY				
S	ES	R	N-W	U
1	10	3.309	11.625	3.875

TERMINAL BOX				
AA	XB	XC	XD	XE
2 X 3 NPT	5.3	16.2	13.9	23

GROUND LUG
M10

PERFORMANCE CURVES

Premium Efficiency Motor:

LAM300-9-586/7

WorldWide Electric Corporation

1 (800) 808-2131

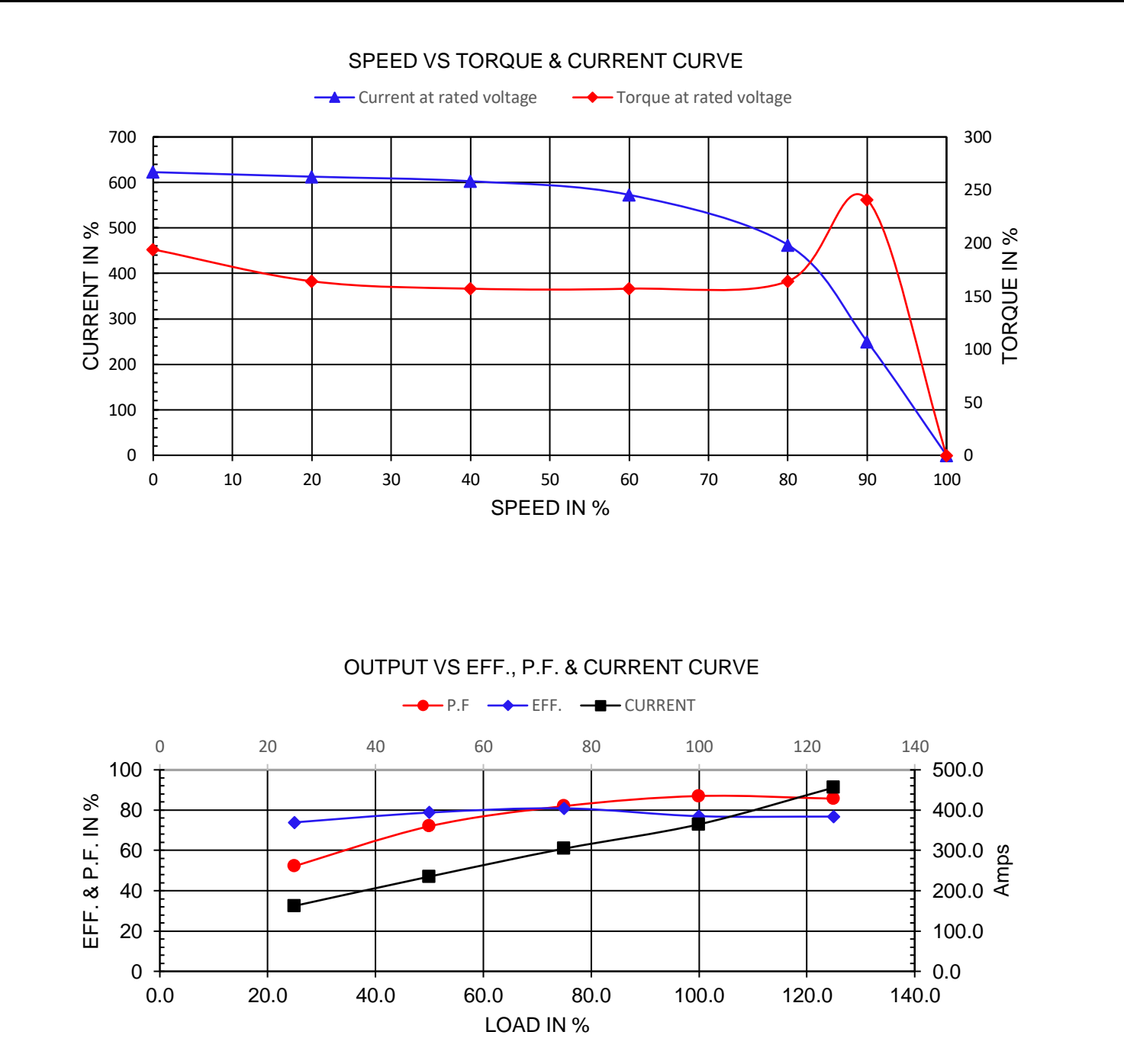
Worldwideelectric.net



Document Generated: 8-Sep-2023
Document ID:

Customer:

Motor Type	AEH3		FL Speed	890	
Output Rating (HP)	300		LRT (%FLT)	194	460 volt FLA 364.8
Full Load Torque	1767.8 lb.ft		BDT (%FLT)	241	230 volt FLA --
Rotor Wk ²	270.7 lb-ft ²				



NAMEPLATE / WIRING

Premium Efficiency Motor: **LAM300-9-586/7**

WorldWide Electric Corporation

1 (800) 808-2131

Worldwideelectric.net



Document Generated: 8-Sep-2023
Document ID:

Customer:

SAMPLE NAMEPLATE DATA

		THREE PHASE SEVERE DUTY MOTOR IEEE45							
Model :		Encl :		Type :		SN :			
HP :	Poles :	FR:	Ins:	Duty: Cont	IP :	Max Amb 40°C			
Hz :	CODE :		Hz :	HP :	Design :				
Volts :	P.F :		Volts :	DE BRG :					
Amps :	Eff :		Amps :	ODE BRG :					
RPM :	S.F :		RPM :	WT :					
			S.F :	Date :					
CC306B		LOUIS ALLIS A WORLDWIDE ELECTRIC COMPANY							
								UL certified Class I, Division II, Groups A,B,C,D T3B	

Model:	LAM300-9-586/7			Encl:	TEFC	Type:	AEH3
HP:	300	Poles	8	FR:	586/7	Ins:	F
Hz:	60	CODE:	G	Hz	50	HP:	250
Volts:	460	P.F:	0.79	Volts:	380	Design:	B
Amps:	364.8	Eff:	0.95	Amps	366.5	DE BRG:	NU324 C3
RPM:	890	S.F:	1.15	RPM	740	ODE BRG:	6319 C3
				S.F:	1.00	WT:	4386 lbs.