

DATA SHEET

Premium Efficiency Motor: **LAM300-9-L449T**

60 Hz

WorldWide Electric Corporation

1 (800) 808-2131

Worldwideelectric.net



Document Generated: 8-Sep-2023
Document ID:

Customer:

MOTOR INFORMATION	
HP	300
RPM	900
Phase	3
Frequency	60 Hz
Voltage	460
Frame Size	L447/9T
Enclosure	TEFC
Degree of Protection	IP55
Service Factor	1.15
Poles	8
Full Load Speed	890
Insulation Class	F
Temp Rise	80°C
NEMA Code Letter	F
Duty Cycle	S1 / Continuous
Slip	1.05%
NEMA Design	--
Moment of Inertia	223.2 lb.ft.^2
Locked Rotor Time (Hot)	12 seconds
Sound Pressure Level	100 dB(A)
Number of Starts	2 Cold/1 Hot
Max Ambient Temperature	40°C
Max Elevation	1000 m.a.s.l (3300 f.a.s.l)
Mounting	Rigid
Rotation	Bi-Directional
Area of Classification	Class 1 Division 2 Groups A,B,C,D T3B
Inverter Rating	10:1 CT / 20:1 VT
Standard	NEMA MG-1
Approvals	UL, CE, IEEE45, ABS

EFFICIENCY/POWER FACTOR		
LOAD	EFF	P. F.
100%	95.0 %	0.79
75%	95.5 %	0.77
50%	95.3 %	0.68

TORQUE		
FULL LOAD	LRT	BDT
1774 lb.ft.	165 %	245 %

AMPERAGE INFORMATION		
	230V	460V
Full Load Amps	--A	372.2A
Locked Rotor Amps	--A	1929A
No Load Current	--A	141.7A
Usable at 208V		-- A

BEARING INFORMATION	
DE Bearing	NU320 C3
ODE Bearing	6320 C3
Grease Type	Mobil Polyrex EM
DE Regreasing Interval	2400 Hours
ODE Regreasing Interval	2400 Hours
Grease Quantity	51g/51g

ADDITIONAL DATA	
F2 Suitable	Yes
Shaft Material	4140
Connection Diagram	6 Lead Delta
Approximate Weight	lbs.

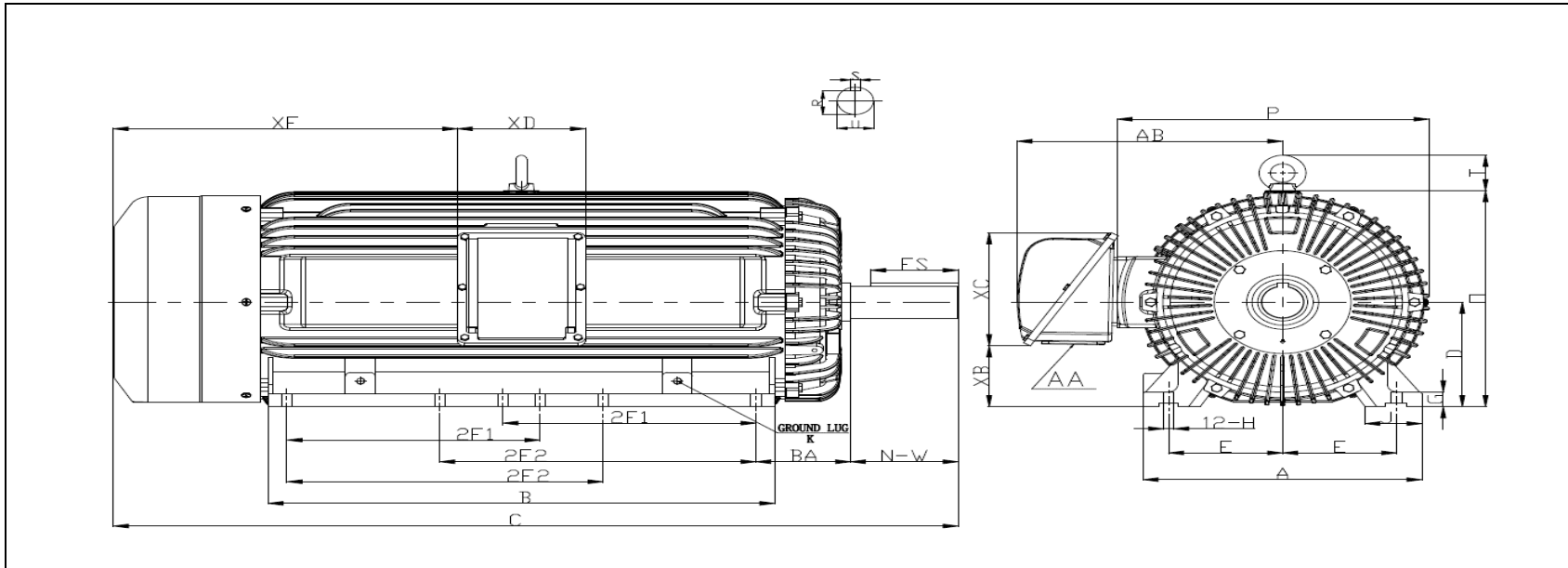
MOTOR DRAWING

Premium Efficiency Motor: **LAM300-9-L449T**

WorldWide Electric Corporation

1 (800) 808-2131

Worldwideelectric.net



DIMENSION - INCHES

MOUNTING					A	B	C	D	G	J	P	O	T	AB
E	2F1	2F2	H	BA										
9	20	25	0.81	7.5	22	40	66.9	11	1.417	4.33	25.8	23.8	4.85	23.4

SHAFT & KEY				
S	ES	R	N-W	U
0.875	6.91	2.88	8.5	3.375

TERMINAL BOX				
AA	XB	XC	XD	XE
3 NPT	4.13	16.2	11.6	27.2

GROUND LUG
M12

PERFORMANCE CURVES

Premium Efficiency Motor:

LAM300-9-L449T

WorldWide Electric Corporation

1 (800) 808-2131

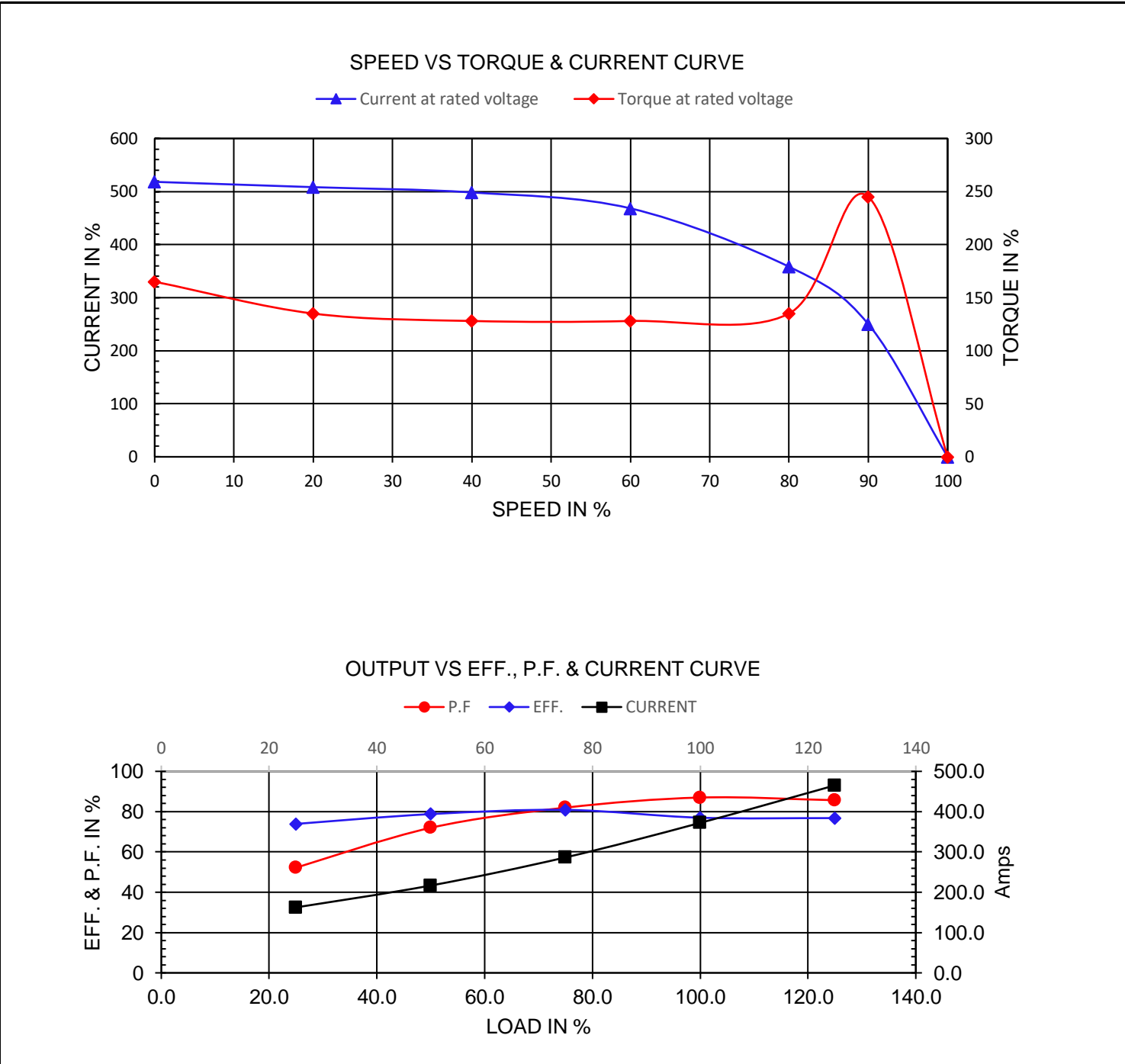
Worldwideelectric.net



Document Generated: 8-Sep-2023
Document ID:

Customer:

Motor Type	AEH3		FL Speed	890	
Output Rating (HP)	300		LRT (%FLT)	165	460 volt FLA 372.2
Full Load Torque	1774	lb.ft	BDT (%FLT)	245	230 volt FLA --
Rotor Wk^2	223.2	lb-ft^2			



NAMEPLATE / WIRING

Premium Efficiency Motor: **LAM300-9-L449T**

WorldWide Electric Corporation

1 (800) 808-2131

Worldwideelectric.net



Document Generated: 8-Sep-2023
Document ID:

Customer:

SAMPLE NAMEPLATE DATA

THREE PHASE SEVERE DUTY MOTOR I EEE45								
Model :		Encl :	Type :	SN :				
HP :	Poles :	FR:	Ins:	Duty: Cont	IP :			Max Amb 40°C
Hz :	CODE :		Hz :	HP :	Design :			
Volts :	P.F. :		Volts :	DE BRG :				
Amps :	Eff :		Amps :	ODE BRG :				
RPM :	S.F. :		RPM :	WT :				
			S.F. :	Date :				
LOUIS ALLIS <small>A WORLDWIDE ELECTRIC COMPANY</small>						UL certified Class I, Division II, Groups A,B,C,D T3B		

Model:	LAM300-9-L449T	Encl:	TEFC	Type:	AEH3	
HP:	300	Poles	8	FR:	L447/9T	IP: 55
Hz:	60	CODE:	F	Hz	50	HP: 250
Volts:	460	P.F.:	0.79	Volts:	380	Design: B
Amps:	372.2	Eff:	0.95	Amps	374.7	DE BRG: NU320 C3
RPM:	890	S.F.:	1.15	RPM	740	ODE BRG: 6320 C3
				S.F.:	1.00	WT: lbs.