

DATA SHEET

Premium Efficiency Motor: **LAM350-18-L449TBB**

60 Hz

WorldWide Electric Corporation

1 (800) 808-2131

Worldwideelectric.net



Document Generated: 8-Sep-2023
Document ID:

Customer:

MOTOR INFORMATION	
HP	350
RPM	1800
Phase	3
Frequency	60 Hz
Voltage	460
Frame Size	L447/9T
Enclosure	TEFC
Degree of Protection	IP55
Service Factor	1.15
Poles	4
Full Load Speed	1790
Insulation Class	F
Temp Rise	80°C
NEMA Code Letter	H
Duty Cycle	S1 / Continuous
Slip	0.55%
NEMA Design	A
Moment of Inertia	130.8 lb.ft.^2
Locked Rotor Time (Hot)	12 seconds
Sound Pressure Level	105 dB(A)
Number of Starts	2 Cold/1 Hot
Max Ambient Temperature	40°C
Max Elevation	1000 m.a.s.l (3300 f.a.s.l)
Mounting	Rigid
Rotation	Bi-Directional
Area of Classification	Class 1 Division 2 Groups A,B,C,D T3B
Inverter Rating	10:1 CT / 20:1 VT
Standard	NEMA MG-1
Approvals	UL, CE, IEEE45, ABS

EFFICIENCY/POWER FACTOR		
LOAD	EFF	P. F.
100%	96.2 %	0.89
75%	96.0 %	0.88
50%	95.7 %	0.82

TORQUE		
FULL LOAD	LRT	BDT
1027.3 lb.ft.	218 %	353 %

AMPERAGE INFORMATION		
	230V	460V
Full Load Amps	--A	382.4A
Locked Rotor Amps	--A	2790A
No Load Current	--A	104.5A
Usable at 208V		-- A

BEARING INFORMATION	
DE Bearing	6320 C3
ODE Bearing	6320 C3
Grease Type	Mobil Polyrex EM
DE Regreasing Interval	2400 Hours
ODE Regreasing Interval	2400 Hours
Grease Quantity	51g/51g

ADDITIONAL DATA	
F2 Suitable	Yes
Shaft Material	4140
Connection Diagram	6 Lead Delta
Approximate Weight	lbs.

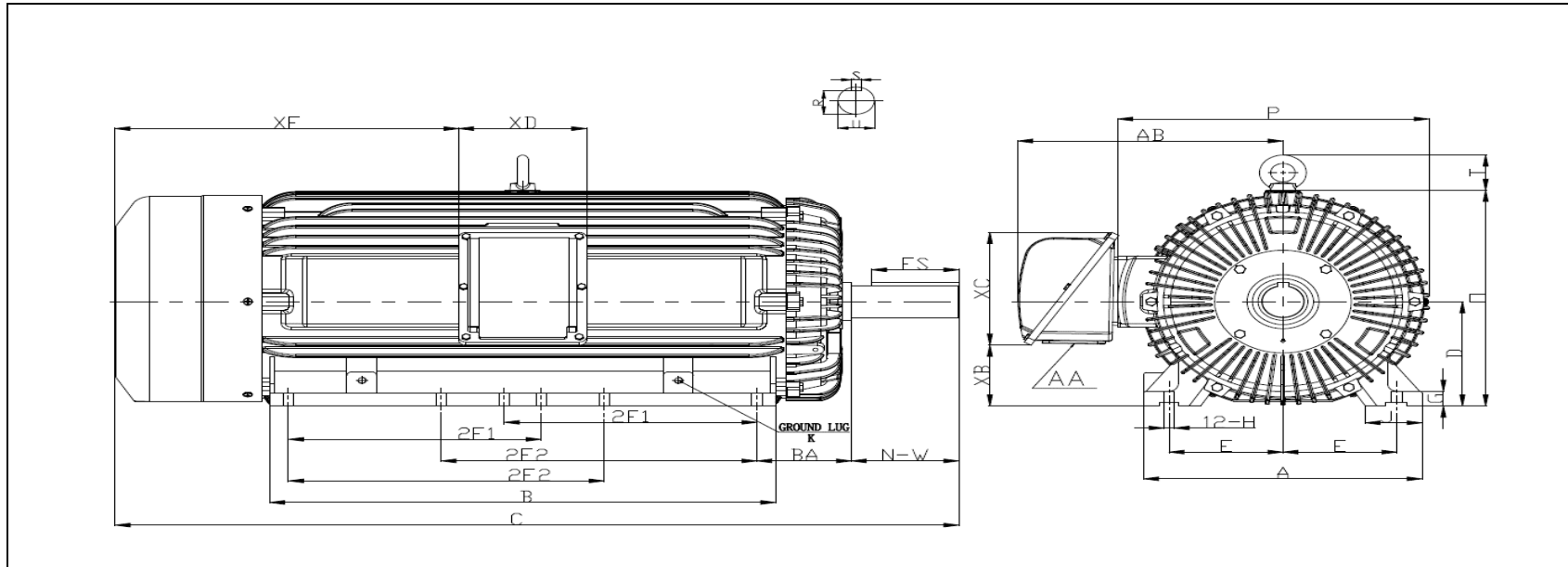
MOTOR DRAWING

Premium Efficiency Motor: **LAM350-18-L449TBB**

WorldWide Electric Corporation

1 (800) 808-2131

Worldwideelectric.net



DIMENSION - INCHES

MOUNTING					A	B	C	D	G	J	P	O	T	AB
E	2F1	2F2	H	BA										
9	20	25	0.81	7.5	22	40	66.9	11	1.417	4.33	25.8	23.8	4.85	23.4

SHAFT & KEY				
S	ES	R	N-W	U
0.875	6.91	2.88	8.5	3.375

TERMINAL BOX				
AA	XB	XC	XD	XE
3 NPT	4.13	16.2	11.6	27.2

GROUND LUG
M12

PERFORMANCE CURVES

WorldWide Electric Corporation

1 (800) 808-2131

Worldwideelectric.net



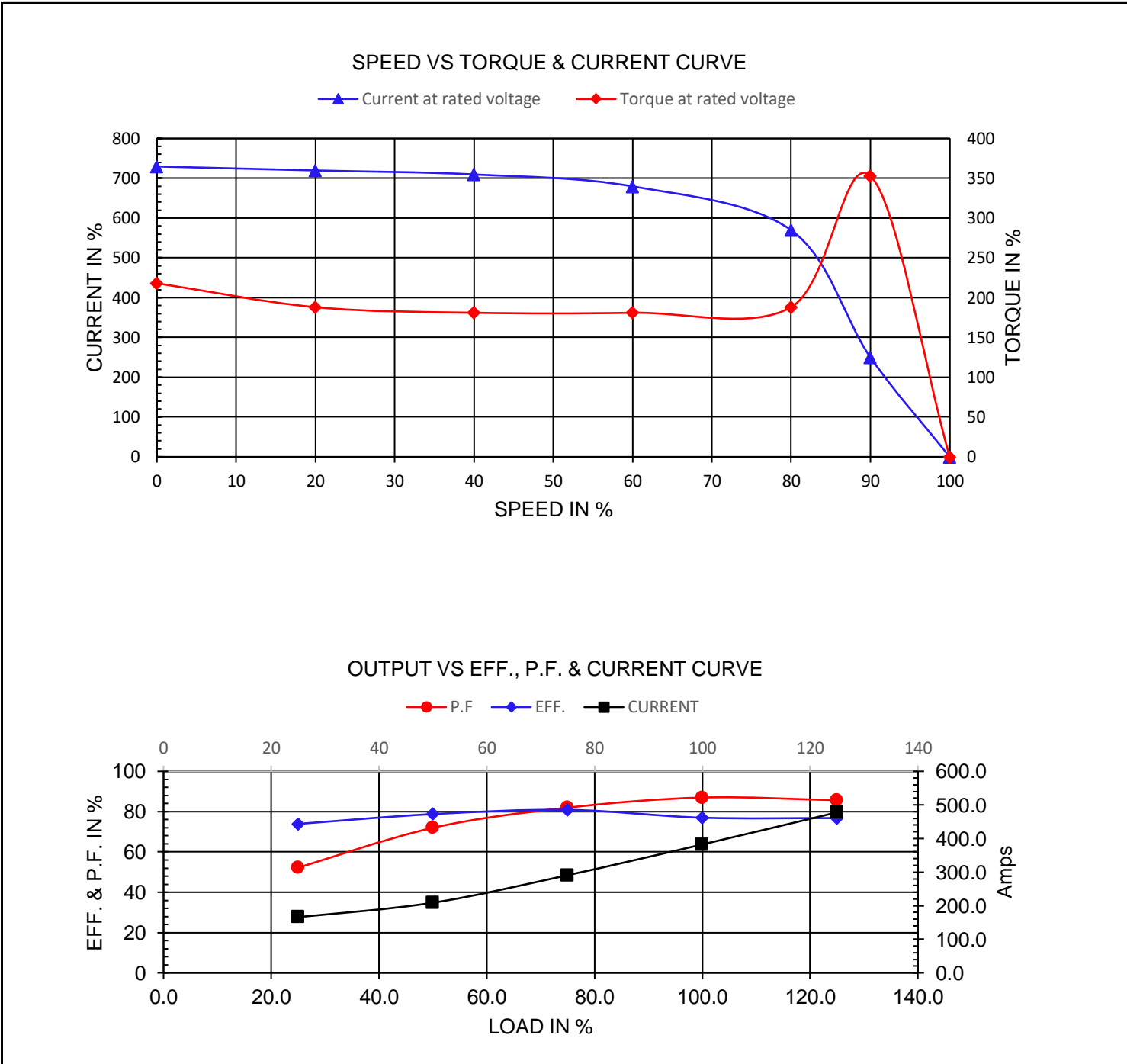
Premium Efficiency Motor:

LAM350-18-L449TBB

Document Generated: 8-Sep-2023
Document ID:

Customer:

Motor Type	AEH3		FL Speed	1790	
Output Rating (HP)	350		LRT (%FLT)	218	460 volt FLA 382.4
Full Load Torque	1027.3 lb.ft		BDT (%FLT)	353	230 volt FLA --
Rotor Wk ²	130.8 lb-ft ²				



NAMEPLATE / WIRING

Premium Efficiency Motor: **LAM350-18-L449TBB**

WorldWide Electric Corporation

1 (800) 808-2131

Worldwideelectric.net



Document Generated: 8-Sep-2023
Document ID:

Customer:

SAMPLE NAMEPLATE DATA

		THREE PHASE SEVERE DUTY MOTOR IEEE45							
Model :		Encl :	Type :		SN :			<p style="text-align: center;">460 V</p> <p style="text-align: center;">UL certified Class I, Division II, Groups A,B,C,D T3B</p>	
HP :	Poles :	FR:	Ins:	Duty: Cont	IP :	Max Amb 40°C			
Hz :		CODE :		Hz :	HP :	Design :			
Volts :		P.F :		Volts :		DE BRG :			
Amps :		Eff :		Amps :		ODE BRG :			
RPM :		S.F :		RPM :		WT :			
S.F :				S.F :		Date :			
CC306B		LOUIS ALLIS A WORLDWIDE ELECTRIC COMPANY							

Model:	LAM350-18-L449TBB	Encl:	TEFC	Type:	AEH3		
HP:	350	Poles	4	FR:	L447/9T	IP:	55
Hz:	60	CODE:	H	Hz	50	HP:	300
Volts:	460	P.F:	0.89	Volts:	380	Design:	B
Amps:	382.4	Eff:	0.962	Amps	397.1	DE BRG:	6320 C3
RPM:	1790	S.F:	1.15	RPM	1490	ODE BRG:	6320 C3
				S.F:	1.00	WT:	lbs.