

DATA SHEET

Premium Efficiency Motor: **LAM40-12-364TC**

60 Hz

WorldWide Electric Corporation

1 (800) 808-2131

Worldwideelectric.net



Document Generated: 14-Sep-2023
Document ID:

Customer:

| MOTOR INFORMATION | |
|-------------------------|---------------------------------------|
| HP | 40 |
| RPM | 1200 |
| Phase | 3 |
| Frequency | 60 Hz |
| Voltage | 230/460 |
| Frame Size | 364/5TC |
| Enclosure | TEFC |
| Degree of Protection | IP55 |
| Service Factor | 1.25 |
| Poles | 6 |
| Full Load Speed | 1185 |
| Insulation Class | F |
| Temp Rise | 80°C |
| NEMA Code Letter | G |
| Duty Cycle | S1 / Continuous |
| Slip | 1.25% |
| NEMA Design | B |
| Moment of Inertia | 14.428 lb.ft.^2 |
| Locked Rotor Time (Hot) | 12 seconds |
| Sound Pressure Level | 86 dB(A) |
| Number of Starts | 2 Cold/1 Hot |
| Max Ambient Temperature | 40°C |
| Max Elevation | 1000 m.a.s.l (3300 f.a.s.l) |
| Mounting | F1 |
| Rotation | Bi-Directional |
| Area of Classification | Class 1 Division 2 Groups A,B,C,D T3B |
| Inverter Rating | 10:1 CT / 20:1 VT |
| Standard | NEMA MG-1 |
| Approvals | UL, CE, IEEE45, ABS |

| EFFICIENCY/POWER FACTOR | | |
|-------------------------|--------|-------|
| LOAD | EFF | P. F. |
| 100% | 94.1 % | 0.86 |
| 75% | 93.9 % | 0.85 |
| 50% | 93.0 % | 0.77 |

| TORQUE | | |
|--------------|-------|-------|
| FULL LOAD | LRT | BDT |
| 178.3 lb.ft. | 276 % | 317 % |

| AMPERAGE INFORMATION | | |
|----------------------|-------|---------|
| | 230V | 460V |
| Full Load Amps | 93.6A | 46.8 |
| Locked Rotor Amps | 607A | 303.5A |
| No Load Current | 29.2A | 14.6A |
| Usable at 208V | | 102.2 A |

| BEARING INFORMATION | |
|-------------------------|------------------|
| DE Bearing | 6316 C3 |
| ODE Bearing | 6313 C3 |
| Grease Type | Mobil Polyrex EM |
| DE Regreasing Interval | 2400 Hours |
| ODE Regreasing Interval | 3600 Hours |
| Grease Quantity | 26g/12g |

| ADDITIONAL DATA | |
|--------------------|---------------|
| F2 Suitable | Yes |
| Shaft Material | AISI 1045 |
| Connection Diagram | 12 Lead Delta |
| Approximate Weight | 783.7 lbs. |

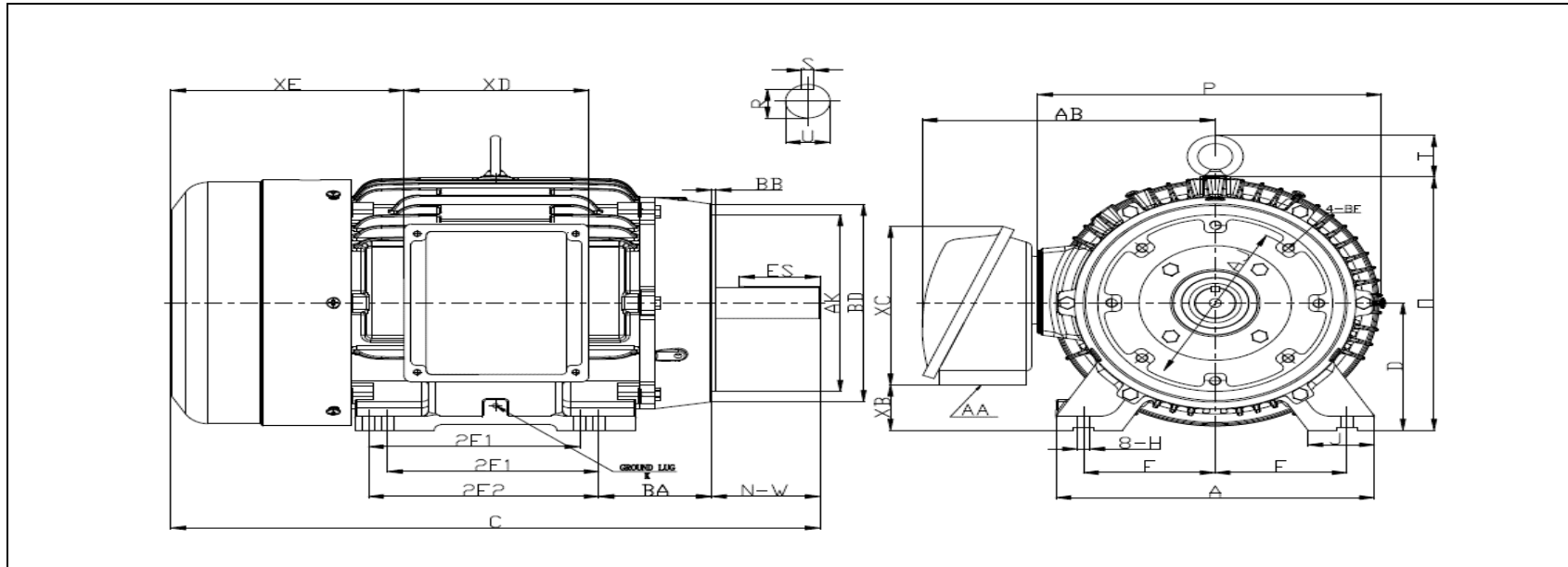
MOTOR DRAWING

Premium Efficiency Motor: **LAM40-12-364TC**

WorldWide Electric Corporation

1 (800) 808-2131

Worldwideelectric.net



DIMENSION - INCHES

| MOUNTING | | | | | A | B | C | D | G | P | O | T | AB |
|----------|-------|-------|------|------|-------|------|-------|---|-------|-------|----|------|-------|
| E | 2F1 | 2F2 | H | BA | | | | | | | | | |
| 7 | 11.25 | 12.25 | 0.66 | 5.88 | 17.72 | 15.4 | 33.52 | 9 | 1.181 | 18.41 | 20 | 2.81 | 16.53 |

| SHAFT & KEY | | | | |
|-------------|------|-------|------|-------|
| S | ES | R | N-W | U |
| 0.625 | 4.28 | 2.021 | 5.88 | 2.375 |

| TERMINAL BOX | | | | |
|--------------|------|-------|------|------|
| AA | XB | XC | XD | XE |
| 3 NPT | 4.29 | 11.27 | 9.17 | 12.4 |

| GROUND LUG |
|------------|
| M10 |

| FLANGE | | | | |
|--------|----|----|----------|------|
| AK | BD | AJ | BF | BB |
| 12.5 | 14 | 11 | 8*5/8-11 | 0.25 |

PERFORMANCE CURVES

Premium Efficiency Motor:

LAM40-12-364TC

WorldWide Electric Corporation

1 (800) 808-2131

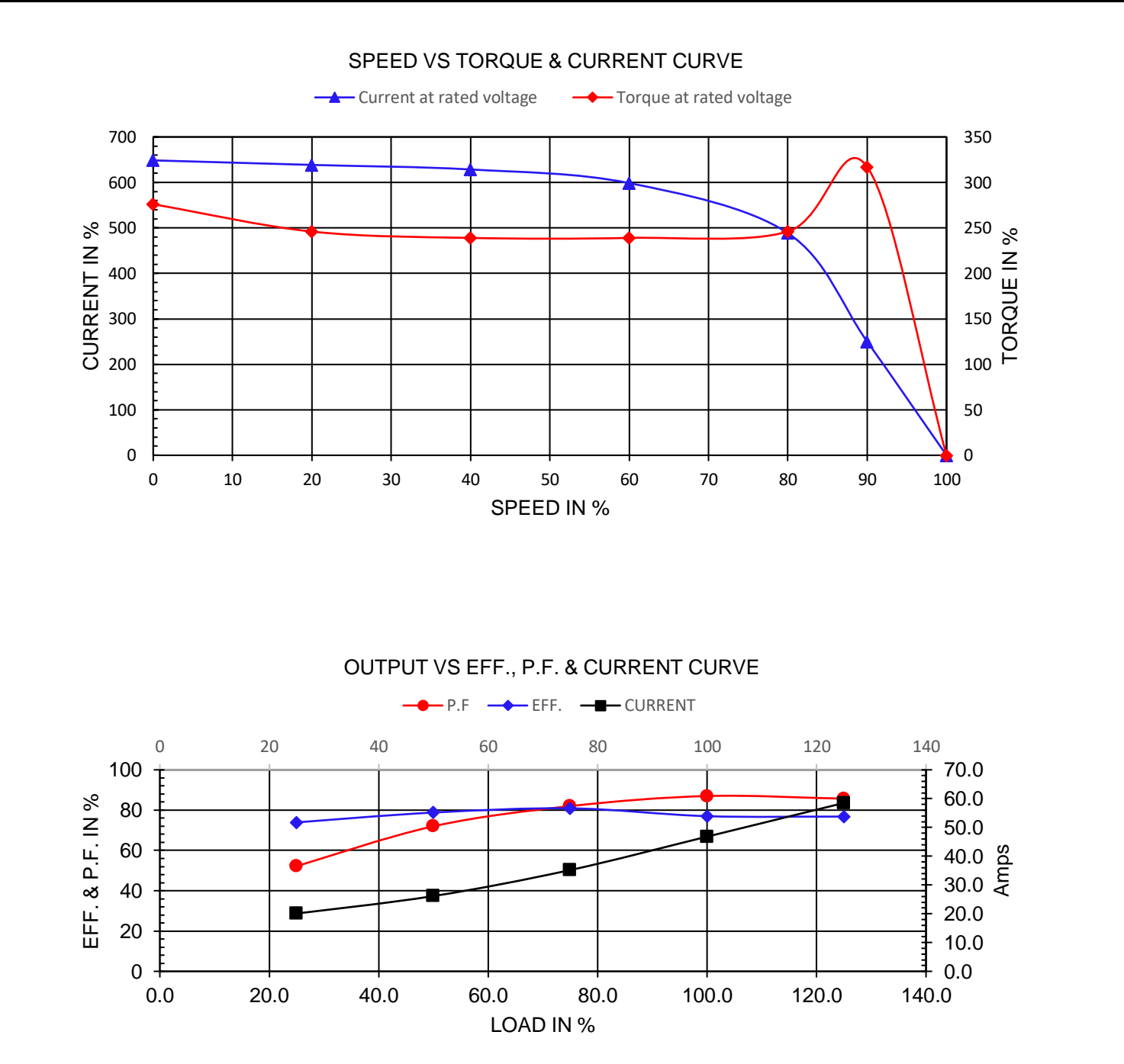
Worldwideelectric.net



Document Generated: 14-Sep-2023
Document ID:

Customer:

| | | | | | |
|--------------------|--------|---------|------------|------|--------------------|
| Motor Type | LAM | | FL Speed | 1185 | |
| Output Rating (HP) | 40 | | LRT (%FLT) | 276 | 460 volt FLA 46.8 |
| Full Load Torque | 178.3 | lb.ft | BDT (%FLT) | 317 | 230 volt FLA 93.6A |
| Rotor Wk^2 | 14.428 | lb-ft^2 | | | |



NAMEPLATE / WIRING

Premium Efficiency Motor: **LAM40-12-364TC**

WorldWide Electric Corporation

1 (800) 808-2131

Worldwideelectric.net



Document Generated: 14-Sep-2023
Document ID:

Customer:

SAMPLE NAMEPLATE DATA

| | | | | | | | | | |
|---------|---------|---|---------|------------|---|--------------|----|----|---|
| | | THREE PHASE SEVERE DUTY MOTOR IEEE45 | | | | | | | |
| Model : | | Encl : | Type : | SN : | | 7 | 8 | 9 | |
| HP : | Poles : | FR: | Ins: | Duty: Cont | IP : | Max Amb 40°C | 6 | 4 | 5 |
| Hz : | CODE : | | Hz : | HP : | Design : | | 12 | 10 | 11 |
| Volts : | P.F : | | Volts : | DE BRG : | | 1 | 2 | 3 | L1 L2 L3 |
| Amps : | Eff : | | Amps : | ODE BRG : | | 7 | 8 | 9 | 230 V |
| RPM : | S.F : | | RPM : | WT : | | 4 | 5 | 6 | |
| | | | S.F : | Date : | | 12 | 10 | 11 | |
| | | | | | | 1 | 2 | 3 | L1 L2 L3 |
| | | | | | | 7 | 8 | 9 | 460 V |
| CC306B | | | | | LOUIS ALLIS A WORLDWIDE ELECTRIC COMPANY | | | | UL certified Class I, Division II, Groups A,B,C,D T3B |

| | | | | | | | |
|---------------|----------------|--------------|-------|---------------|------------|-----------------|------------|
| Model: | LAM40-12-364TC | Encl: | TEFC | Type: | AEH3 | | |
| HP: | 40 | Poles | 6 | FR: | 364/5TC | Ins: | F |
| Hz: | 60 | CODE: | G | Hz | 50 | HP: | 40 |
| Volts: | 230/460 | P.F: | 0.86 | Volts: | 190/380 | Design: | B |
| Amps: | 93.6/46.8 | Eff: | 0.941 | Amps | 112.8/56.4 | DE BRG: | 6316 C3 |
| RPM: | 1185 | S.F: | 1.25 | RPM | 980 | ODE BRG: | 6313 C3 |
| | | | | S.F: | 1.00 | WT: | 783.7 lbs. |