

DATA SHEET

Premium Efficiency Motor: **LAM450-12-586/7**

60 Hz

WorldWide Electric Corporation

1 (800) 808-2131

Worldwideelectric.net



Document Generated: 8-Sep-2023
Document ID:

Customer:

MOTOR INFORMATION	
HP	450
RPM	1200
Phase	3
Frequency	60 Hz
Voltage	460
Frame Size	586/7
Enclosure	TEFC
Degree of Protection	IP55
Service Factor	1.15
Poles	6
Full Load Speed	1190
Insulation Class	F
Temp Rise	80°C
NEMA Code Letter	G
Duty Cycle	S1 / Continuous
Slip	0.69%
NEMA Design	--
Moment of Inertia	352.9 lb.ft.^2
Locked Rotor Time (Hot)	12 seconds
Sound Pressure Level	103 dB(A)
Number of Starts	2 Cold/1 Hot
Max Ambient Temperature	40°C
Max Elevation	1000 m.a.s.l (3300 f.a.s.l)
Mounting	Rigid
Rotation	Bi-Directional
Area of Classification	Class 1 Division 2 Groups A,B,C,D T3B
Inverter Rating	10:1 CT / 20:1 VT
Standard	NEMA MG-1
Approvals	UL, CE, IEEE45, ABS

EFFICIENCY/POWER FACTOR		
LOAD	EFF	P. F.
100%	95.8 %	0.86
75%	96.0 %	0.84
50%	95.6 %	0.78

TORQUE		
FULL LOAD	LRT	BDT
1991 lb.ft.	226 %	251 %

AMPERAGE INFORMATION		
	230V	460V
Full Load Amps	--A	509.5A
Locked Rotor Amps	--A	3426A
No Load Current	--A	167.9A
Usable at 208V		-- A

BEARING INFORMATION	
DE Bearing	NU324 C4
ODE Bearing	6319 C3
Grease Type	Mobil Polyrex EM
DE Regreasing Interval	2400 Hours
ODE Regreasing Interval	3600 Hours
Grease Quantity	72g/45g

ADDITIONAL DATA	
F2 Suitable	YES
Shaft Material	4140
Connection Diagram	6 Lead Delta
Approximate Weight	lbs.

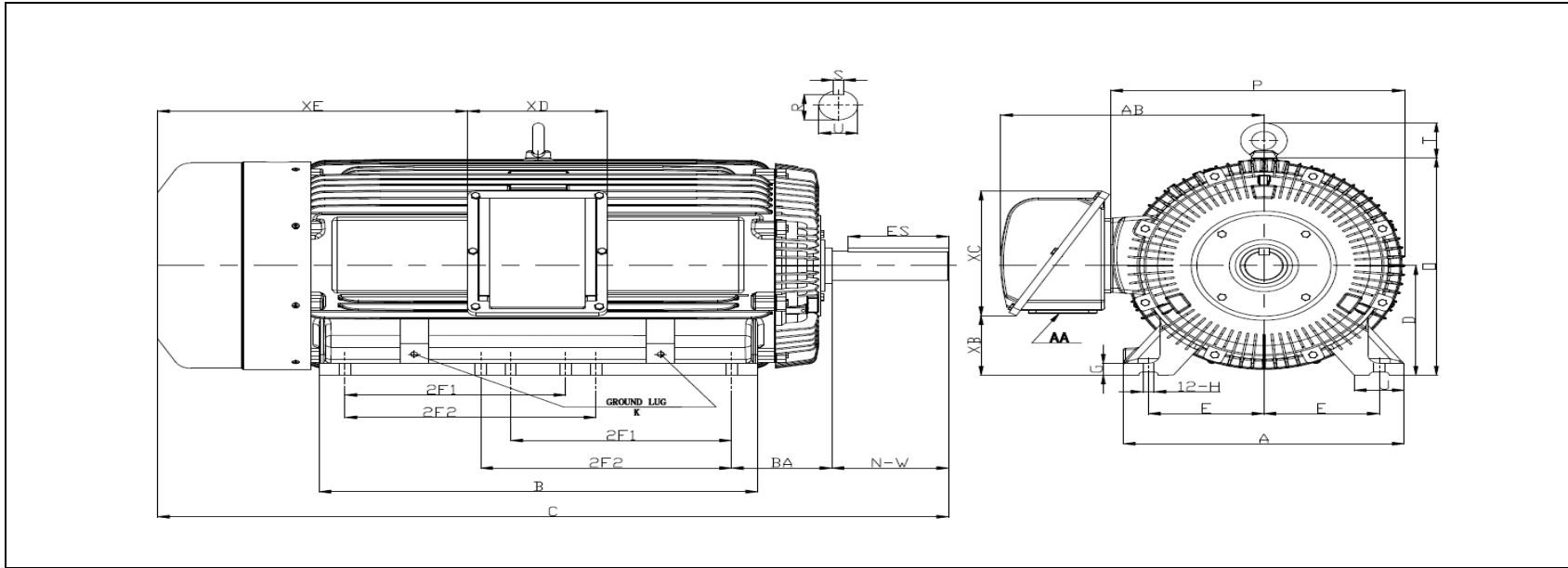
MOTOR DRAWING

Premium Efficiency Motor: **LAM450-12-586/7**

WorldWide Electric Corporation

1 (800) 808-2131

Worldwideelectric.net



DIMENSION - INCHES

MOUNTING					A	B	C	D	G	J	P	O	T	AB
E	2F1	2F2	H	BA										
11.5	22	25	1.125	10	28	43.7	78.8	14.5	2.05	5	29.72	28.86	4.66	23.9

SHAFT & KEY				
S	ES	R	N-W	U
1	10	3.309	11.625	3.875

TERMINAL BOX				
AA	XB	XC	XD	XE
2x3 NPT	5.3	16.2	13.9	30.9

GROUND LUG
M10

PERFORMANCE CURVES

WorldWide Electric Corporation

1 (800) 808-2131

Worldwideelectric.net

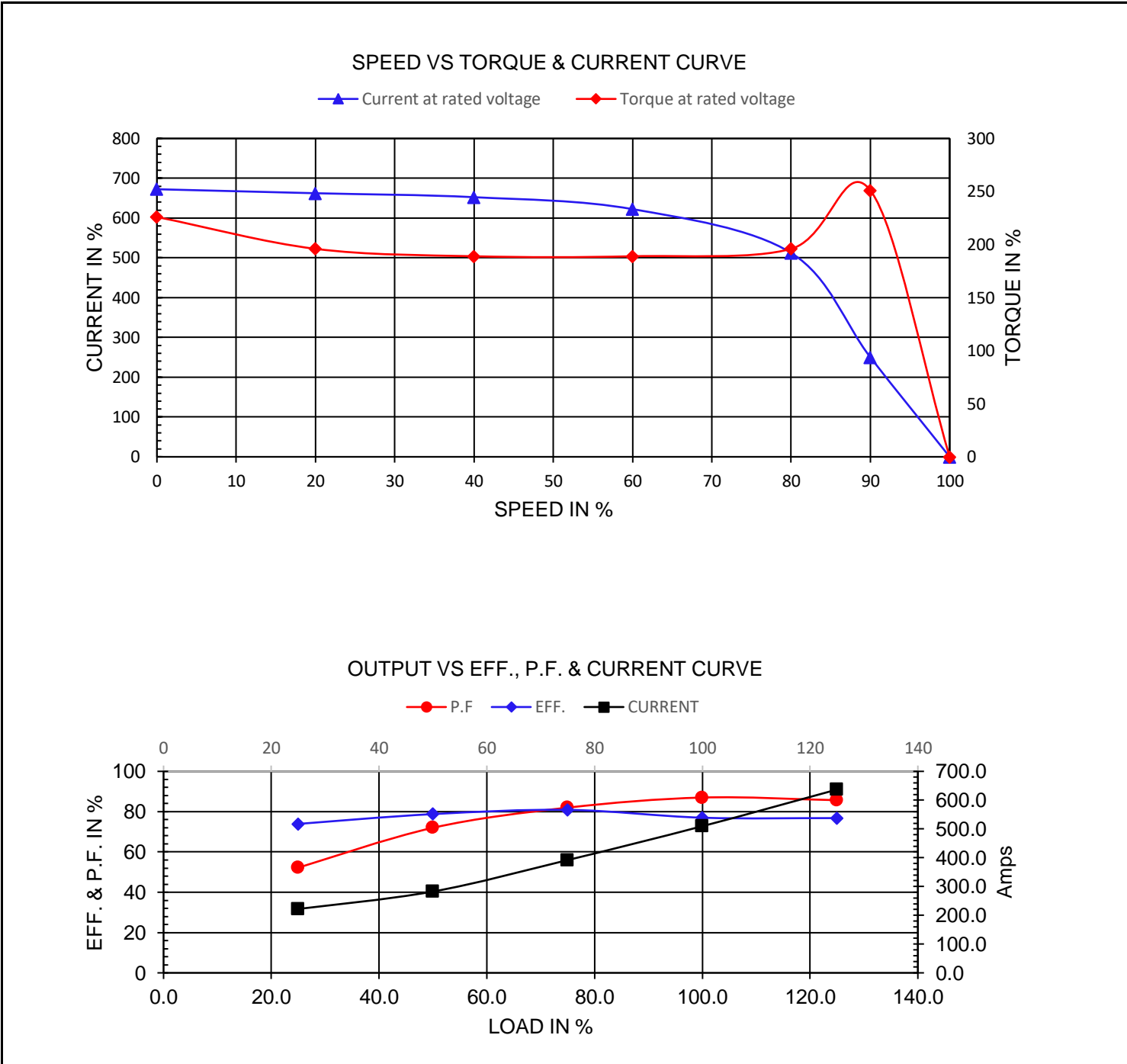


Premium Efficiency Motor:

LAM450-12-586/7

Document Generated: 8-Sep-2023	Customer:
Document ID:	

Motor Type	AEH3		FL Speed	1190	
Output Rating (HP)	450		LRT (%FLT)	226	460 volt FLA 509.5
Full Load Torque	1991 lb.ft		BDT (%FLT)	251	230 volt FLA --
Rotor Wk^2	352.9 lb-ft^2				



NAMEPLATE / WIRING

Premium Efficiency Motor: **LAM450-12-586/7**

WorldWide Electric Corporation

1 (800) 808-2131

Worldwideelectric.net



Document Generated: 8-Sep-2023
Document ID:

Customer:

SAMPLE NAMEPLATE DATA

THREE PHASE SEVERE DUTY MOTOR I EEE45							
Model :		Encl :	Type :	SN :			
HP :	Poles :	FR:	Ins:	Duty: Cont	IP :		Max Amb 40°C
Hz :	CODE :		Hz :	HP :	Design :		
Volts :	P.F. :		Volts :	DE BRG :			
Amps :	Eff :		Amps :	ODE BRG :			
RPM :	S.F. :		RPM :	WT :			
			S.F. :	Date :			
LOUIS ALLIS <small>A WORLDWIDE ELECTRIC COMPANY</small>							

Model:	LAM450-12-586/7	Encl:	TEFC	Type:	AEH3	
HP:	450	Poles	6	FR:	586/7	IP: 55
Hz:	60	CODE:	G	Hz	50	HP: 400
Volts:	460	P.F.:	0.86	Volts:	380	Design: B
Amps:	509.5	Eff:	0.958	Amps	545	DE BRG: NU324 C4
RPM:	1190	S.F.:	1.15	RPM	990	ODE BRG: 6319 C3
				S.F.:	1.00	WT: lbs.