

DATA SHEET

Premium Efficiency Motor: **LAM450-18-586/7**

60 Hz

WorldWide Electric Corporation

1 (800) 808-2131

Worldwideelectric.net



Document Generated: 8-Sep-2023
Document ID:

Customer:

MOTOR INFORMATION	
HP	450
RPM	1800
Phase	3
Frequency	60 Hz
Voltage	460
Frame Size	586/7
Enclosure	TEFC
Degree of Protection	IP55
Service Factor	1.15
Poles	4
Full Load Speed	1790
Insulation Class	F
Temp Rise	80°C
NEMA Code Letter	F
Duty Cycle	S1 / Continuous
Slip	0.56%
NEMA Design	B
Moment of Inertia	215 lb.ft.^2
Locked Rotor Time (Hot)	12 seconds
Sound Pressure Level	108 dB(A)
Number of Starts	2 Cold/1 Hot
Max Ambient Temperature	40°C
Max Elevation	1000 m.a.s.l (3300 f.a.s.l)
Mounting	Rigid
Rotation	Bi-Directional
Area of Classification	Class 1 Division 2 Groups A,B,C,D T3B
Inverter Rating	10:1 CT / 20:1 VT
Standard	NEMA MG-1
Approvals	UL, CE, IEEE45, ABS

EFFICIENCY/POWER FACTOR		
LOAD	EFF	P. F.
100%	96.2 %	0.87
75%	97.0 %	0.85
50%	96.5 %	0.79

TORQUE		
FULL LOAD	LRT	BDT
1326 lb.ft.	230 %	324 %

AMPERAGE INFORMATION		
	230V	460V
Full Load Amps	--A	500A
Locked Rotor Amps	--A	3092A
No Load Current	--A	148A
Usable at 208V		-- A

BEARING INFORMATION	
DE Bearing	NU324 C3
ODE Bearing	6319 C3
Grease Type	Mobil Polyrex EM
DE Regreasing Interval	2400 Hours
ODE Regreasing Interval	3600 Hours
Grease Quantity	72g/45g

ADDITIONAL DATA	
F2 Suitable	Yes
Shaft Material	4140
Connection Diagram	6 Lead Delta
Approximate Weight	4352 lbs.

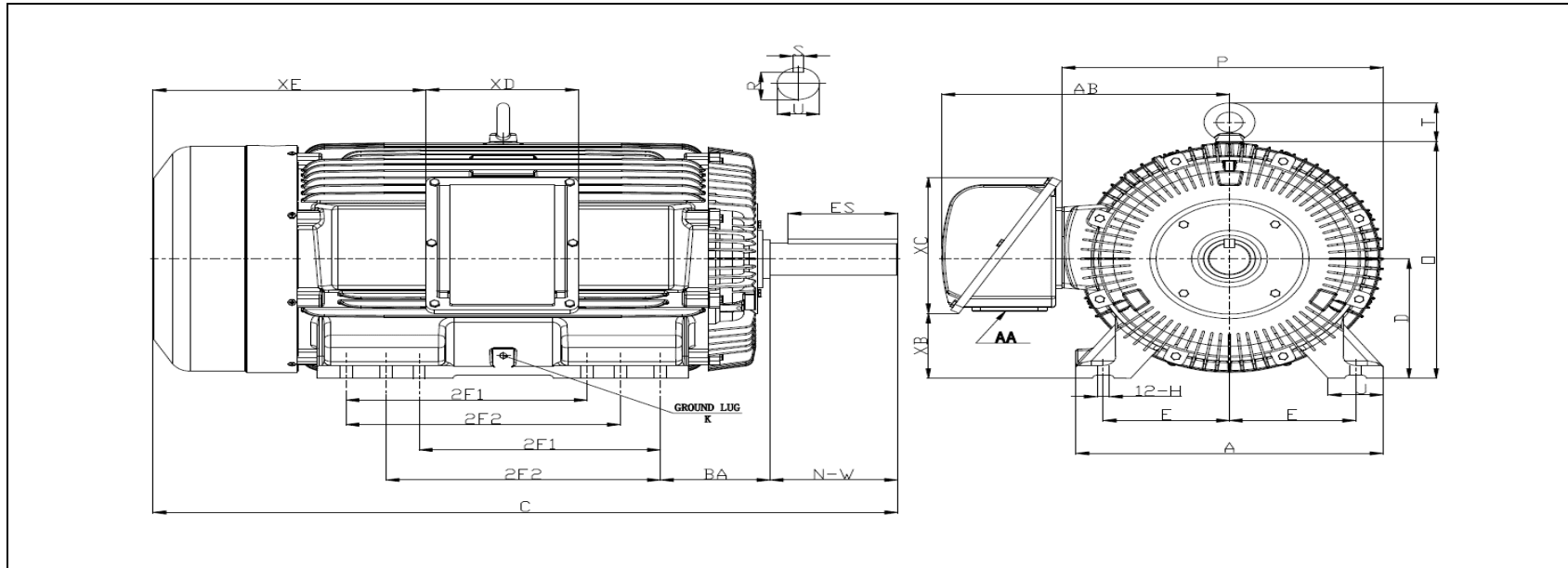
MOTOR DRAWING

Premium Efficiency Motor: **LAM450-18-586/7**

WorldWide Electric Corporation

1 (800) 808-2131

Worldwideelectric.net



DIMENSION - INCHES

MOUNTING					A	B	C	D	G	J	P	O	T	AB
E	2F1	2F2	H	BA										
11.5	22	25	1.125	10	28	33.85	65.6	14.5	2.05	5	29.72	28.86	4.66	23.9

SHAFT & KEY				
S	ES	R	N-W	U
1	10	3.309	11.625	3.875

TERMINAL BOX				
AA	XB	XC	XD	XE
2 X 3 NPT	5.3	16.2	13.9	23

GROUND LUG
M10

PERFORMANCE CURVES

WorldWide Electric Corporation

1 (800) 808-2131

Worldwideelectric.net

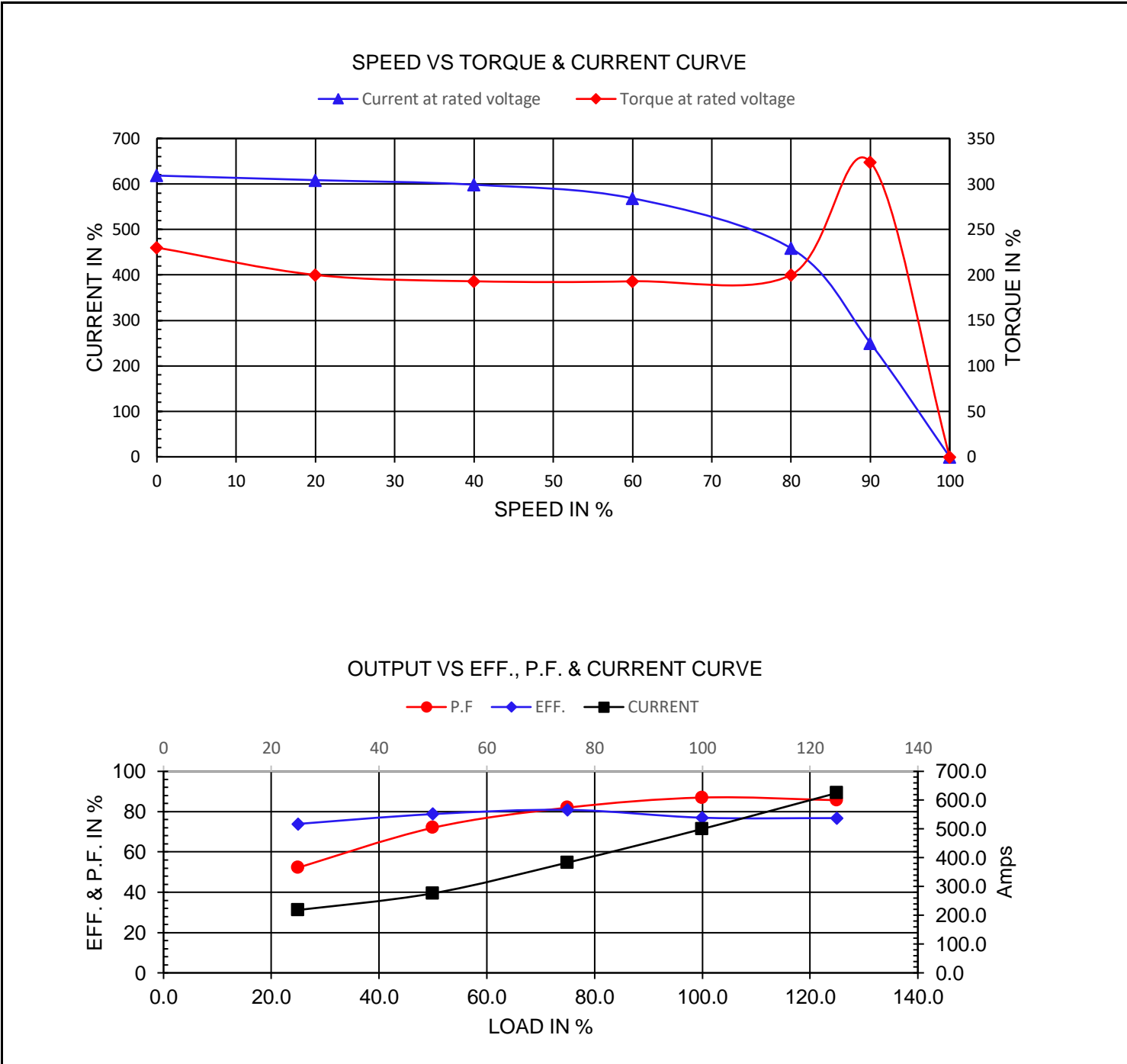


Premium Efficiency Motor:

LAM450-18-586/7

Document Generated: 8-Sep-2023	Customer:
Document ID:	

Motor Type	AEH3		FL Speed	1790		
Output Rating (HP)	450		LRT (%FLT)	230	460 volt FLA	500
Full Load Torque	1326	lb.ft	BDT (%FLT)	324	230 volt FLA	--
Rotor Wk^2	215	lb-ft^2				



NAMEPLATE / WIRING

Premium Efficiency Motor: **LAM450-18-586/7**

WorldWide Electric Corporation

1 (800) 808-2131

Worldwideelectric.net



Document Generated: 8-Sep-2023
Document ID:

Customer:

SAMPLE NAMEPLATE DATA

		THREE PHASE SEVERE DUTY MOTOR IEEE45								
Model :			Encl :		Type :		SN :			
HP :	Poles :	FR:	Ins:	Duty: Cont	IP :	Max Amb 40°C				
Hz :	CODE :		Hz :	HP :	Design :					
Volts :	P.F :		Volts :	DE BRG :						
Amps :	Eff :		Amps :	ODE BRG :						
RPM :	S.F :		RPM :	WT :						
			S.F :	Date :						
CC306B		LOUIS ALLIS A WORLDWIDE ELECTRIC COMPANY								
UL certified Class I, Division II, Groups A,B,C,D T3B										

Model:	LAM450-18-586/7			Encl:	TEFC	Type:	AEH3
HP:	450	Poles	4	FR:	586/7	Ins:	F
Hz:	60	CODE:	F	Hz	50	HP:	400
Volts:	460	P.F:	0.87	Volts:	380	Design: B	
Amps:	500	Eff:	0.962	Amps	530	DE BRG: NU324 C3	
RPM:	1790	S.F:	1.15	RPM	1490	ODE BRG: 6319 C3	
				S.F:	1.00	WT: 4352 lbs.	