

# DATA SHEET

Premium Efficiency Motor: **LAM450-36-586/7**

**60 Hz**

WorldWide Electric Corporation

1 (800) 808-2131

Worldwideelectric.net



Document Generated: 8-Sep-2023  
Document ID:

Customer:

MOTOR INFORMATION	
HP	450
RPM	3600
Phase	3
Frequency	60 Hz
Voltage	460
Frame Size	586/7
Enclosure	TEFC
Degree of Protection	IP55
Service Factor	1.15
Poles	2
Full Load Speed	3585
Insulation Class	F
Temp Rise	80°C
NEMA Code Letter	G
Duty Cycle	S1 / Continuous
Slip	0.42%
NEMA Design	B
Moment of Inertia	91.4 lb.ft.^2
Locked Rotor Time (Hot)	12 seconds
Sound Pressure Level	107 dB(A)
Number of Starts	2 Cold/1 Hot
Max Ambient Temperature	40°C
Max Elevation	1000 m.a.s.l (3300 f.a.s.l)
Mounting	Rigid
Rotation	Bi-Directional
Area of Classification	Class 1 Division 2 Groups A,B,C,D T3B
Inverter Rating	10:1 CT / 20:1 VT
Standard	NEMA MG-1
Approvals	UL, CE, IEEE45, ABS

EFFICIENCY/POWER FACTOR		
LOAD	EFF	P. F.
100%	95.8 %	0.92
75%	96.0 %	0.92
50%	95.4 %	0.9

TORQUE		
FULL LOAD	LRT	BDT
661 lb.ft.	151 %	300 %

AMPERAGE INFORMATION		
	230V	460V
Full Load Amps	--A	479.9A
Locked Rotor Amps	--A	3174A
No Load Current	--A	90.3A
Usable at 208V		-- A

BEARING INFORMATION	
DE Bearing	6324 C3
ODE Bearing	6319 C3
Grease Type	Mobil Polyrex EM
DE Regreasing Interval	2400 Hours
ODE Regreasing Interval	3600 Hours
Grease Quantity	72g/45g

ADDITIONAL DATA	
F2 Suitable	Yes
Shaft Material	4140
Connection Diagram	6 Lead Delta
Approximate Weight	lbs.

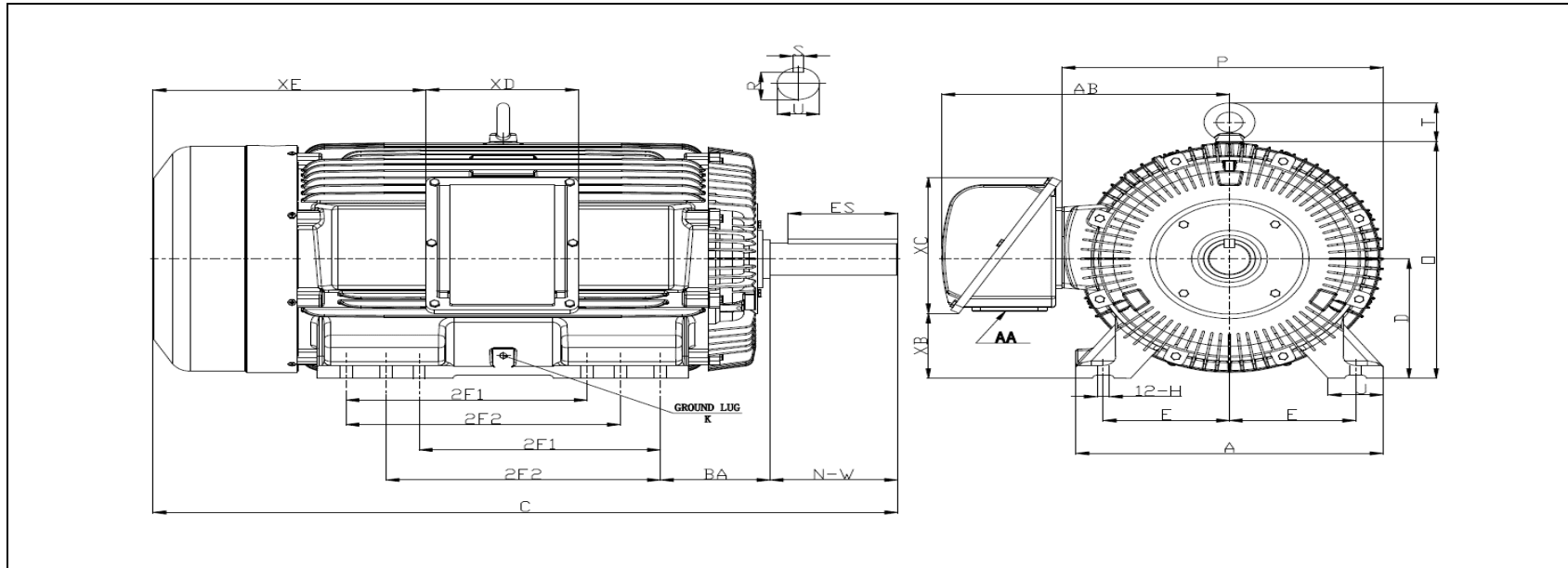
# MOTOR DRAWING

Premium Efficiency Motor: **LAM450-36-586/7**

WorldWide Electric Corporation

1 (800) 808-2131

Worldwideelectric.net



## DIMENSION - INCHES

MOUNTING					A	B	C	D	G	J	P	O	T	AB
E	2F1	2F2	H	BA										
11.5	22	25	1.125	10	28	33.85	65.6	14.5	2.05	5	29.72	28.86	4.66	23.9

SHAFT & KEY				
S	ES	R	N-W	U
1	10	3.309	11.625	3.875

TERMINAL BOX				
AA	XB	XC	XD	XE
2 X 3 NPT	5.3	16.2	13.9	23

GROUND LUG
M10

# PERFORMANCE CURVES

WorldWide Electric Corporation

1 (800) 808-2131

Worldwideelectric.net

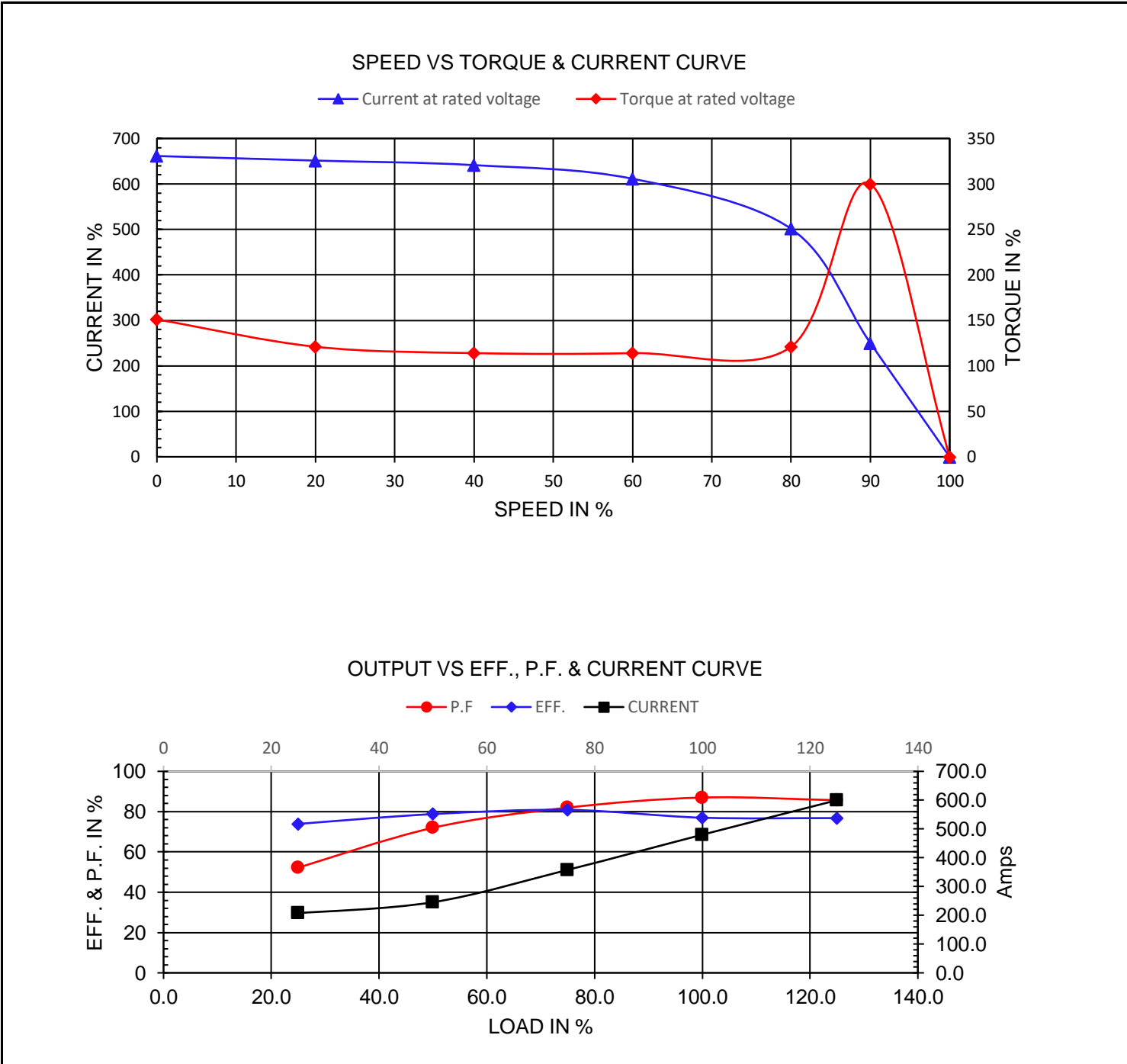


Premium Efficiency Motor:

**LAM450-36-586/7**

Document Generated: 8-Sep-2023	Customer:
Document ID:	

Motor Type	AEH3		FL Speed	3585	
Output Rating (HP)	450		LRT (%FLT)	151	460 volt FLA 479.9
Full Load Torque	661 lb.ft		BDT (%FLT)	300	230 volt FLA --
Rotor Wk^2	91.4 lb-ft^2				



# NAMEPLATE / WIRING

Premium Efficiency Motor: **LAM450-36-586/7**

WorldWide Electric Corporation

1 (800) 808-2131

Worldwideelectric.net



Document Generated: 8-Sep-2023  
Document ID:

Customer:

## SAMPLE NAMEPLATE DATA

		<b>THREE PHASE SEVERE DUTY MOTOR IEEE45</b>								
Model :			Encl :		Type :		SN :			
HP :	Poles :	FR:	Ins:	Duty: Cont	IP :	Max Amb 40°C				
Hz :	CODE :		Hz :	HP :	Design :					
Volts :	P.F :		Volts :	DE BRG :						
Amps :	Eff :		Amps :	ODE BRG :						
RPM :	S.F :		RPM :	WT :						
			S.F :	Date :						
CC306B		<b>LOUIS ALLIS</b> A WORLDWIDE ELECTRIC COMPANY								
UL certified Class I, Division II, Groups A,B,C,D T3B										

<b>Model:</b>	LAM450-36-586/7		<b>Encl:</b>	TEFC	<b>Type:</b>	AEH3	
<b>HP:</b>	450	<b>Poles</b>	2	<b>FR:</b>	586/7	<b>Ins:</b>	F
<b>Hz:</b>	60	<b>CODE:</b>	G	<b>Hz</b>	50	<b>HP:</b>	400
<b>Volts:</b>	460	<b>P.F:</b>	0.92	<b>Volts:</b>	380	<b>Design:</b>	B
<b>Amps:</b>	479.9	<b>Eff:</b>	0.958	<b>Amps</b>	518	<b>DE BRG:</b>	6324 C3
<b>RPM:</b>	3585	<b>S.F:</b>	1.15	<b>RPM</b>	2970	<b>ODE BRG:</b>	6319 C3
				<b>S.F:</b>	1.00	<b>WT:</b>	lbs.