

# DATA SHEET

Premium Efficiency Motor: **LAM5-12-215TC**

**60 Hz**

WorldWide Electric Corporation

1 (800) 808-2131

Worldwideelectric.net



Document Generated: 14-Sep-2023  
Document ID:

Customer:

MOTOR INFORMATION	
HP	5
RPM	1200
Phase	3
Frequency	60 Hz
Voltage	230/460
Frame Size	213/5TC
Enclosure	TEFC
Degree of Protection	IP55
Service Factor	1.25
Poles	6
Full Load Speed	1170
Insulation Class	F
Temp Rise	80°C
NEMA Code Letter	J
Duty Cycle	S1 / Continuous
Slip	2.50%
NEMA Design	B
Moment of Inertia	1.031 lb.ft.^2
Locked Rotor Time (Hot)	12 seconds
Sound Pressure Level	71 dB(A)
Number of Starts	2 Cold/1 Hot
Max Ambient Temperature	40°C
Max Elevation	1000 m.a.s.l (3300 f.a.s.l)
Mounting	F1
Rotation	Bi-Directional
Area of Classification	Class 1 Division 2 Groups A,B,C,D T3B
Inverter Rating	10:1 CT / 20:1 VT
Standard	NEMA MG-1
Approvals	UL, CE, IEEE45, ABS

EFFICIENCY/POWER FACTOR		
LOAD	EFF	P. F.
100%	89.5 %	0.76
75%	90.9 %	0.70
50%	89.9 %	0.58

TORQUE		
FULL LOAD	LRT	BDT
22.2 lb.ft.	248 %	324 %

AMPERAGE INFORMATION		
	230V	460V
Full Load Amps	13.4A	6.7
Locked Rotor Amps	91.6A	45.8A
No Load Current	6.8A	3.4A
Usable at 208V		14.8 A

BEARING INFORMATION	
DE Bearing	6308 ZZ
ODE Bearing	6306 ZZ
Grease Type	NSK SN7
DE Regreasing Interval	-- Hours
ODE Regreasing Interval	-- Hours
Grease Quantity	--

ADDITIONAL DATA	
F2 Suitable	Yes
Shaft Material	AISI 1045
Connection Diagram	9 Lead Wye
Approximate Weight	191.8 lbs.

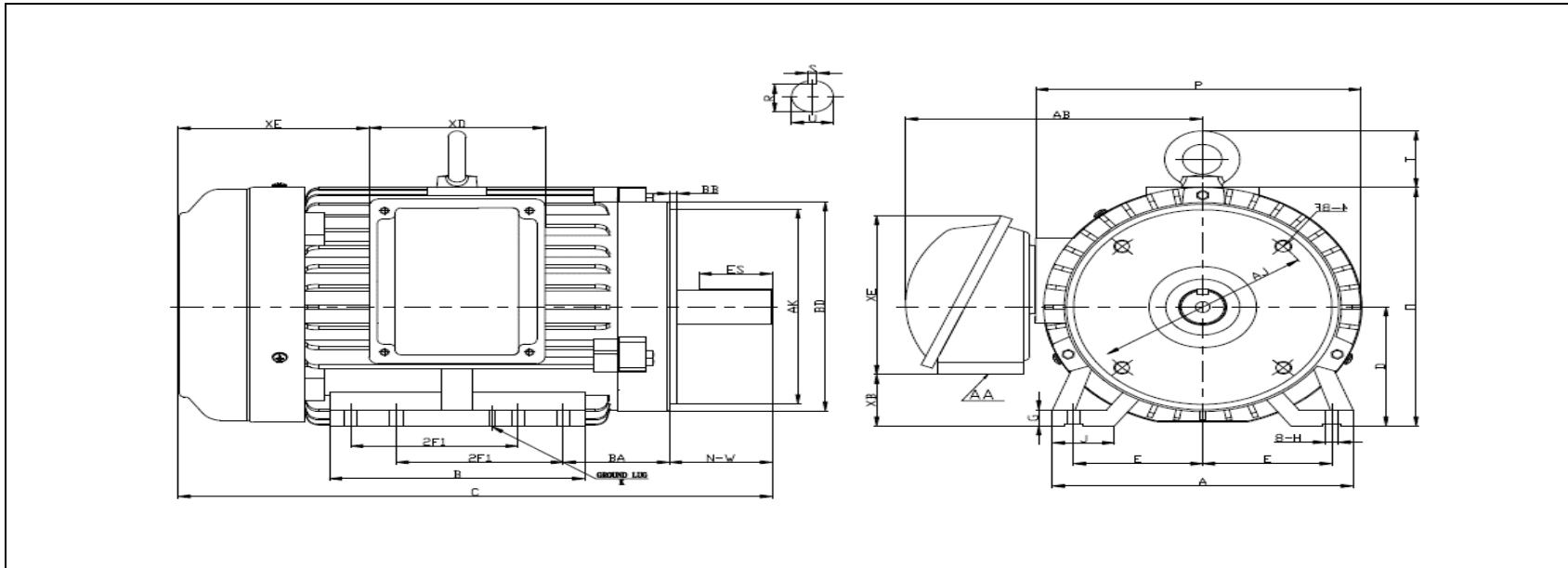
# MOTOR DRAWING

Premium Efficiency Motor: **LAM5-12-215TC**

WorldWide Electric Corporation

1 (800) 808-2131

Worldwideelectric.net



## DIMENSION - INCHES

MOUNTING					A	B	C	D	G	P	O	T	AB
E	2F1	2F2	H	BA									
4.25	5.5	7	0.43	3.5	9.88	8.405	19.5	5.25	0.708	10.8	10.53	1.72	9.8

SHAFT & KEY				
S	ES	R	N-W	U
0.31	2.41	1.201	3.38	1.375

TERMINAL BOX				
AA	XB	XC	XD	XE
1 NPT	1.63	7.9	5.8	6.5

GROUND LUG
M5

FLANGE				
AK	BD	AJ	BF	BB
8.5	9	7.25	4*1/2-13	0.25

# PERFORMANCE CURVES

Premium Efficiency Motor:

**LAM5-12-215TC**

WorldWide Electric Corporation

1 (800) 808-2131

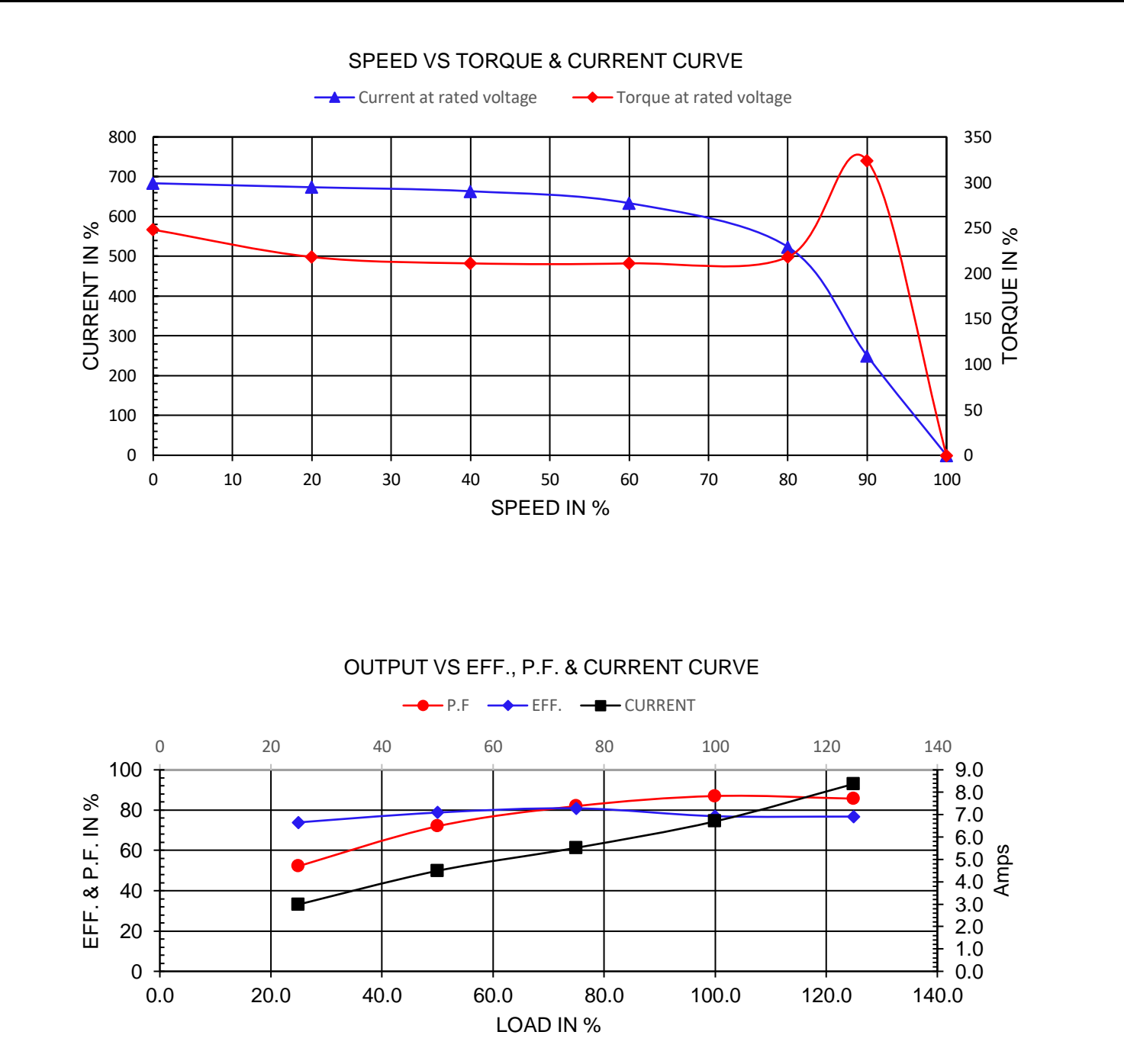
Worldwideelectric.net



Document Generated: 14-Sep-2023  
Document ID:

Customer:

Motor Type	LAM		FL Speed	1170	
Output Rating (HP)	5		LRT (%FLT)	248	
Full Load Torque	22.2	lb.ft	460 volt FLA	6.7	
Rotor Wk <sup>2</sup>	1.031	lb-ft <sup>2</sup>	230 volt FLA	13.4A	
			BDT (%FLT)	324	



# NAMEPLATE / WIRING

Premium Efficiency Motor: **LAM5-12-215TC**

WorldWide Electric Corporation

1 (800) 808-2131

Worldwideelectric.net



Document Generated: 14-Sep-2023  
Document ID:

Customer:

## SAMPLE NAMEPLATE DATA

		<b>THREE PHASE SEVERE DUTY MOTOR IEE45</b>																																						
Model :		Encl :	Type :		SN :			<table border="1"> <tr><td>4</td><td>5</td><td>6</td></tr> <tr><td>7</td><td>8</td><td>9</td></tr> <tr><td>1</td><td>2</td><td>3</td></tr> <tr><td>L1</td><td>L2</td><td>L3</td></tr> <tr><td colspan="3" style="text-align: center;">230 V</td></tr> <tr><td>7</td><td>8</td><td>9</td></tr> <tr><td>4</td><td>5</td><td>6</td></tr> <tr><td>1</td><td>2</td><td>3</td></tr> <tr><td>L1</td><td>L2</td><td>L3</td></tr> <tr><td colspan="3" style="text-align: center;">460 V</td></tr> </table>			4	5	6	7	8	9	1	2	3	L1	L2	L3	230 V			7	8	9	4	5	6	1	2	3	L1	L2	L3	460 V		
4	5	6																																						
7	8	9																																						
1	2	3																																						
L1	L2	L3																																						
230 V																																								
7	8	9																																						
4	5	6																																						
1	2	3																																						
L1	L2	L3																																						
460 V																																								
HP :	Poles :	FR :	Ins :	Duty: Cont	IP :	Max Amb 40°C																																		
Hz :		CODE :	Hz :		Design :																																			
Volts :		P.F :	Volts :		DE BRG :																																			
Amps :		Eff :	Amps :		ODE BRG :																																			
RPM :		S.F :	RPM :		WT :																																			
			S.F :		Date :																																			
CC306B					LOUIS ALLIS		191			UL certified Class I, Division II, Groups A,B,C,D T3B																														

<b>Model:</b>	LAM5-12-215TC	<b>Encl:</b>	TEFC	<b>Type:</b>	AEH3	
<b>HP:</b>	5	<b>Poles</b>	6	<b>FR:</b>	213/5TC	<b>Ins:</b> F
<b>Hz:</b>	60	<b>CODE:</b>	J	<b>Hz</b>	50	<b>HP:</b> 5
<b>Volts:</b>	230/460	<b>P.F:</b>	0.76	<b>Volts:</b>	190/380	<b>Design:</b> B
<b>Amps:</b>	13.4/6.7	<b>Eff:</b>	0.895	<b>Amps</b>	16.0/8.0	<b>DE BRG:</b> 6308 ZZ
<b>RPM:</b>	1170	<b>S.F:</b>	1.25	<b>RPM</b>	970	<b>ODE BRG:</b> 6306 ZZ
				<b>S.F:</b>	1.00	<b>WT:</b> 191.8 lbs.