

DATA SHEET

Premium Efficiency Motor: **LAM5-18-184TCRD**

60 Hz

WorldWide Electric Corporation

1 (800) 808-2131

Worldwideelectric.net



Document Generated: 14-Sep-2023
Document ID:

Customer:

MOTOR INFORMATION	
HP	5
RPM	1800
Phase	3
Frequency	60 Hz
Voltage	230/460
Frame Size	182/4TC
Enclosure	TEFC
Degree of Protection	IP55
Service Factor	1.25
Poles	4
Full Load Speed	1740
Insulation Class	F
Temp Rise	80°C
NEMA Code Letter	J
Duty Cycle	S1 / Continuous
Slip	3.33%
NEMA Design	B
Moment of Inertia	0.48 lb.ft.^2
Locked Rotor Time (Hot)	12 seconds
Sound Pressure Level	74 dB(A)
Number of Starts	2 Cold/1 Hot
Max Ambient Temperature	40°C
Max Elevation	1000 m.a.s.l (3300 f.a.s.l)
Mounting	F1
Rotation	Bi-Directional
Area of Classification	Class 1 Division 2 Groups A,B,C,D T3B
Inverter Rating	10:1 CT / 20:1 VT
Standard	NEMA MG-1
Approvals	UL, CE, IEEE45, ABS

EFFICIENCY/POWER FACTOR		
LOAD	EFF	P. F.
100%	89.5 %	0.84
75%	90.4 %	0.80
50%	90.2 %	0.71

TORQUE		
FULL LOAD	LRT	BDT
14.9 lb.ft.	393 %	436 %

AMPERAGE INFORMATION		
	230V	460V
Full Load Amps	12.4A	6.2
Locked Rotor Amps	95A	47.5A
No Load Current	4.4A	2.2A
Usable at 208V		13.7 A

BEARING INFORMATION	
DE Bearing	6306 ZZ
ODE Bearing	6305 ZZ
Grease Type	NSK SN7
DE Regreasing Interval	-- Hours
ODE Regreasing Interval	-- Hours
Grease Quantity	--

ADDITIONAL DATA	
F2 Suitable	Yes
Shaft Material	AISI 1045
Connection Diagram	9 Lead Wye
Approximate Weight	113.1 lbs.

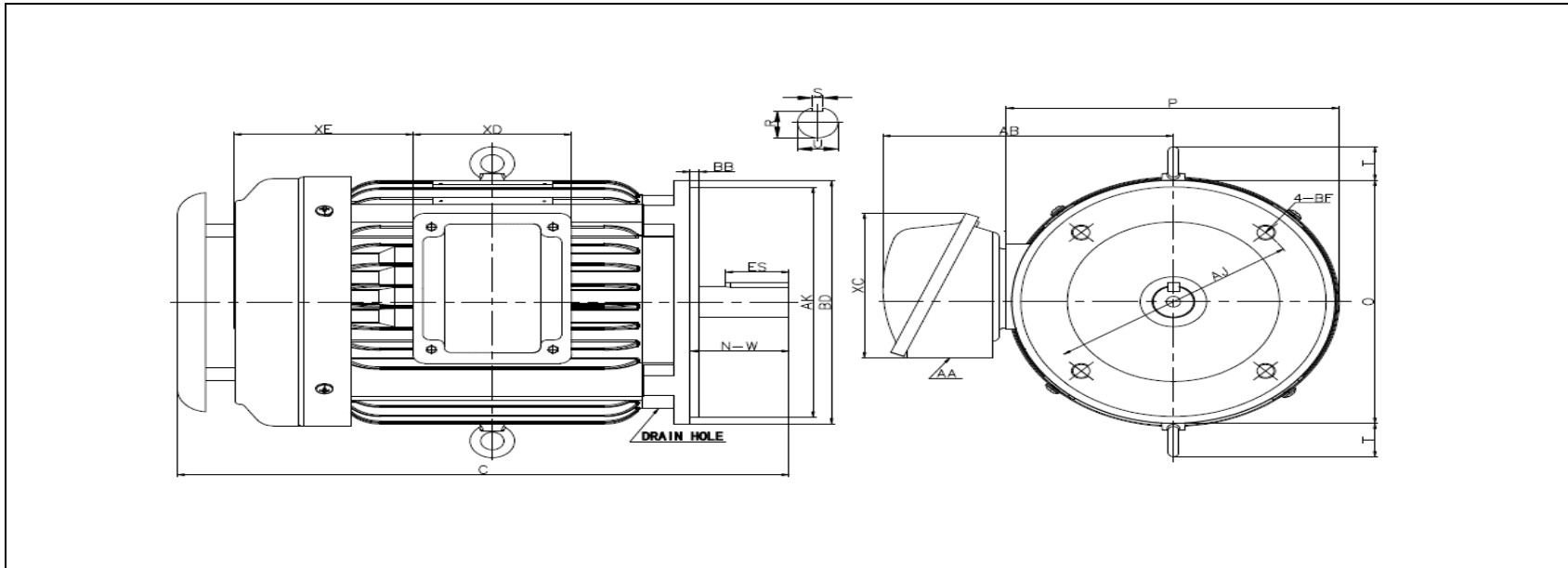
MOTOR DRAWING

Premium Efficiency Motor: **LAM5-18-184TCRD**

WorldWide Electric Corporation

1 (800) 808-2131

Worldwideelectric.net



DIMENSION - INCHES

FLANGE MOUNTING					C	P	O	T	AB
AK	BD	AJ	BF	BB					
8.5	9	7.25	4*1/2-13	0.25	17.4	9.37	9.17	1.4	7.5

SHAFT & KEY				
S	ES	R	N-W	U
0.25	1.78	0.986	2.75	1.125

TERMINAL BOX			
AA	XC	XD	XE
3/4 NPT	5.2	4.4	4.9

PERFORMANCE CURVES

Premium Efficiency Motor:

LAM5-18-184TCRD

WorldWide Electric Corporation

1 (800) 808-2131

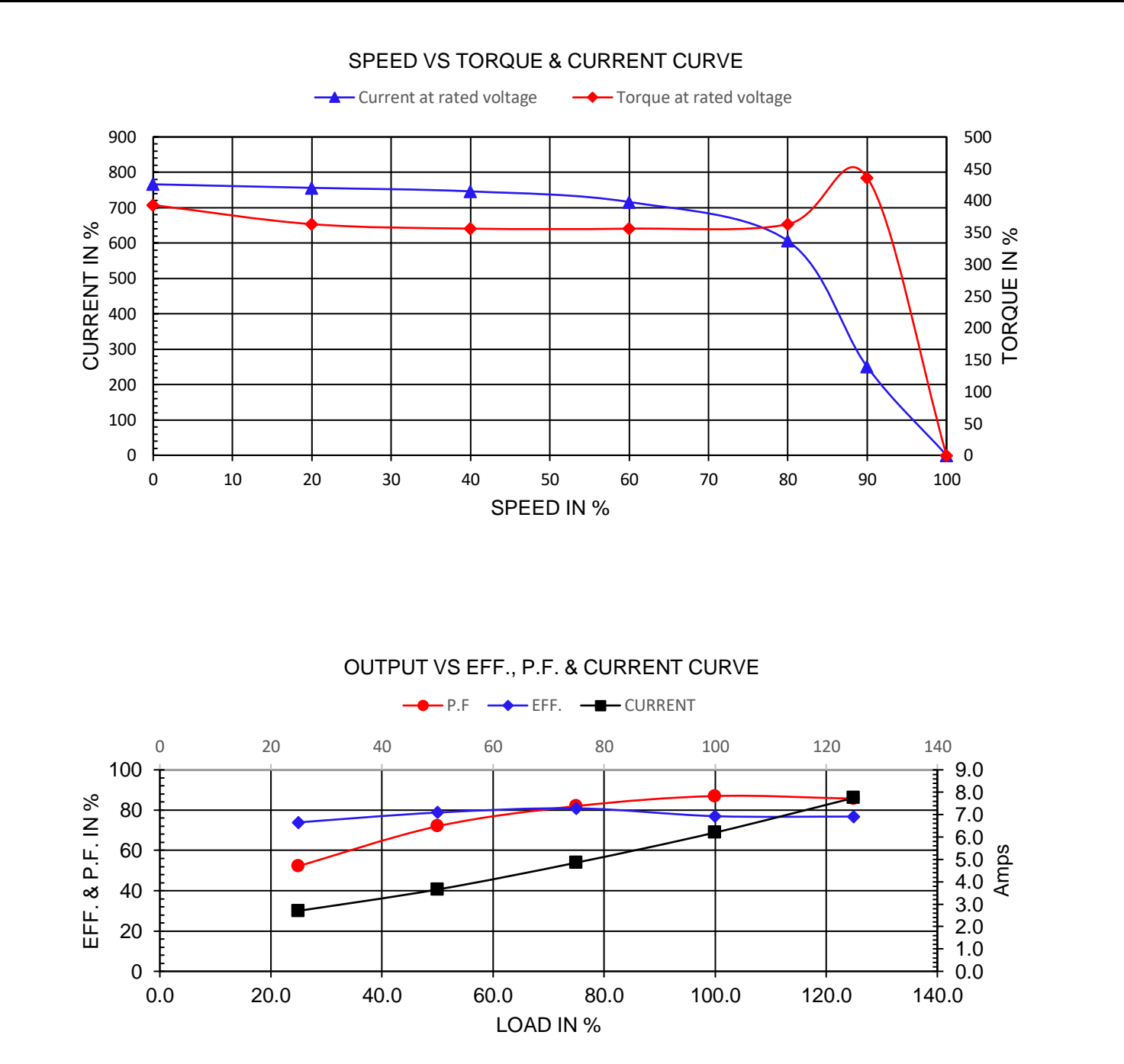
Worldwideelectric.net



Document Generated: 14-Sep-2023
Document ID:

Customer:

Motor Type	LAM		FL Speed	1740	
Output Rating (HP)	5		LRT (%FLT)	393	
Full Load Torque	14.9	lb.ft	460 volt FLA	6.2	
Rotor Wk^2	0.48	lb-ft^2	230 volt FLA	12.4A	
			BDT (%FLT)	436	



NAMEPLATE / WIRING

Premium Efficiency Motor: **LAM5-18-184TCRD**

WorldWide Electric Corporation

1 (800) 808-2131

Worldwideelectric.net



Document Generated: 14-Sep-2023
Document ID:

Customer:

SAMPLE NAMEPLATE DATA

		THREE PHASE SEVERE DUTY MOTOR							
Model :		Encl :	Type :		SN :				
HP :	Poles :	FR :	Ins:	Duty:	Cont	IP :	Max Amb 40°C		
Hz :		CODE :		Hz :		Design :			
Volts :		P.F :		Volts :		DE BRG :			
Amps :		Eff :		Amps :		ODE BRG :			
RPM :		S.F :		RPM :		WT :			
				S.F :		Date :			
CC306B				LOUIS ALLIS					UL certified Class I, Division II, Groups A,B,C,D T3B
				A WORLDWIDE ELECTRIC COMPANY					

Model:	LAM5-18-184TCRD	Encl:	TEFC	Type:	AEH3
HP:	5	Poles	4	FR:	182/4TC
Hz:	60	CODE:	J	Ins:	F
Volts:	230/460	P.F:	0.84	HP:	5
Amps:	12.4/6.2	Eff:	0.895	Design:	B
RPM:	1740	S.F:	1.25	DE BRG:	6306 ZZ
				ODE BRG:	6305 ZZ
				WT:	113.1 lbs.
				S.F:	1.00