

DATA SHEET

Premium Efficiency Motor: **LAM50-12-365T**

60 Hz

WorldWide Electric Corporation

1 (800) 808-2131

Worldwideelectric.net



Document Generated: 8-Sep-2023
Document ID:

Customer:

MOTOR INFORMATION	
HP	50
RPM	1200
Phase	3
Frequency	60 Hz
Voltage	230/460
Frame Size	364/5T
Enclosure	TEFC
Degree of Protection	IP55
Service Factor	1.25
Poles	6
Full Load Speed	1175
Insulation Class	F
Temp Rise	80°C
NEMA Code Letter	G
Duty Cycle	S1 / Continuous
Slip	2.08%
NEMA Design	B
Moment of Inertia	26.986 lb.ft.^2
Locked Rotor Time (Hot)	12 seconds
Sound Pressure Level	86 dB(A)
Number of Starts	2 Cold/1 Hot
Max Ambient Temperature	40°C
Max Elevation	1000 m.a.s.l (3300 f.a.s.l)
Mounting	Rigid
Rotation	Bi-Directional
Area of Classification	Class 1 Division 2 Groups A,B,C,D T3B
Inverter Rating	10:1 CT / 20:1 VT
Standard	NEMA MG-1
Approvals	UL, CE, IEEE45, ABS

EFFICIENCY/POWER FACTOR		
LOAD	EFF	P. F.
100%	94.1 %	0.85
75%	94.2 %	0.81
50%	93.8 %	0.72

TORQUE		
FULL LOAD	LRT	BDT
221.2 lb.ft.	267 %	296 %

AMPERAGE INFORMATION		
	230V	460V
Full Load Amps	116.6A	58.3A
Locked Rotor Amps	746.6A	373.3A
No Load Current	44.4A	22.2A
Usable at 208V		128.9 A

BEARING INFORMATION	
DE Bearing	6316 C3
ODE Bearing	6313 C3
Grease Type	Mobil Polyrex EM
DE Regreasing Interval	2400 Hours
ODE Regreasing Interval	3600 Hours
Grease Quantity	33g/23g

ADDITIONAL DATA	
F2 Suitable	Yes
Shaft Material	AISI 1045
Connection Diagram	12 Lead Delta
Approximate Weight	932.6 lbs.

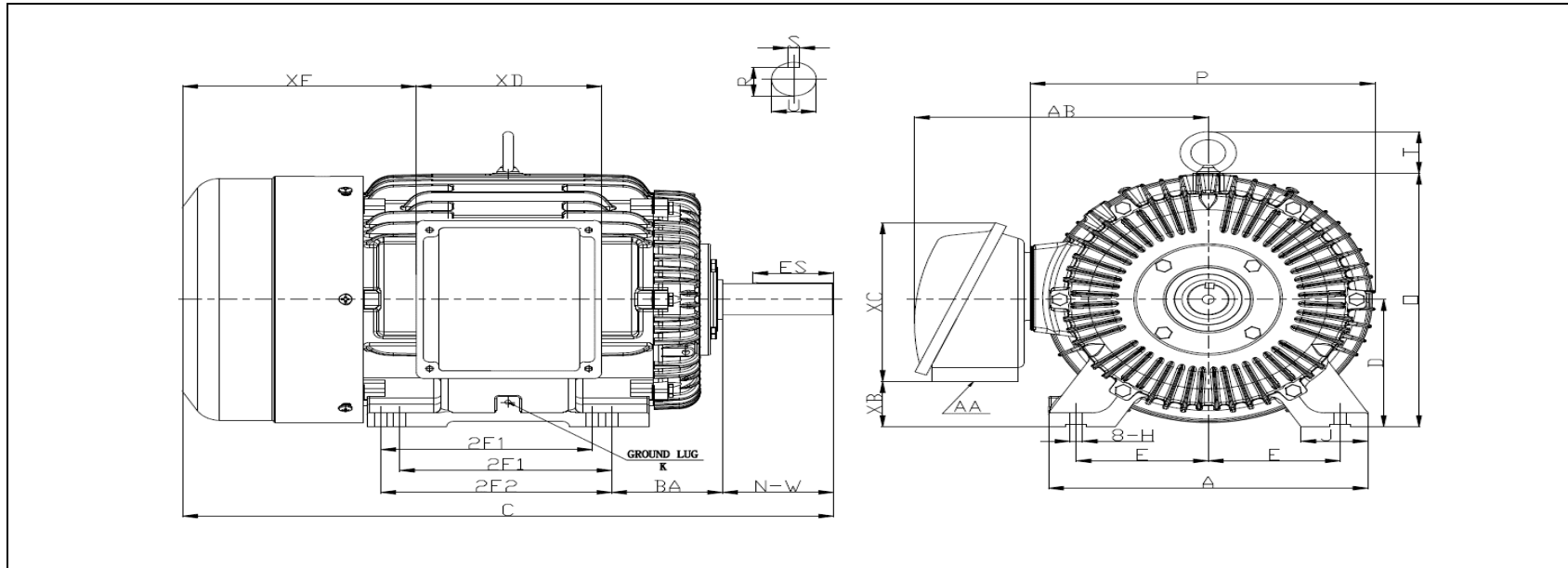
MOTOR DRAWING

Premium Efficiency Motor: **LAM50-12-365T**

WorldWide Electric Corporation

1 (800) 808-2131

Worldwideelectric.net



DIMENSION - INCHES

MOUNTING					A	B	C	D	G	J	P	O	T	AB
E	2F1	2F2	H	BA										
7	11.25	12.25	0.66	5.88	17.72	15.4	35.52	9	1.181	3.543	18.41	20	2.81	16.53

SHAFT & KEY				
S	ES	R	N-W	U
0.625	4.28	2.021	5.88	2.375

TERMINAL BOX				
AA	XB	XC	XD	XE
3 NPT	4.29	11.27	9.17	12.4

GROUND LUG
M10

PERFORMANCE CURVES

Premium Efficiency Motor:

LAM50-12-365T

WorldWide Electric Corporation

1 (800) 808-2131

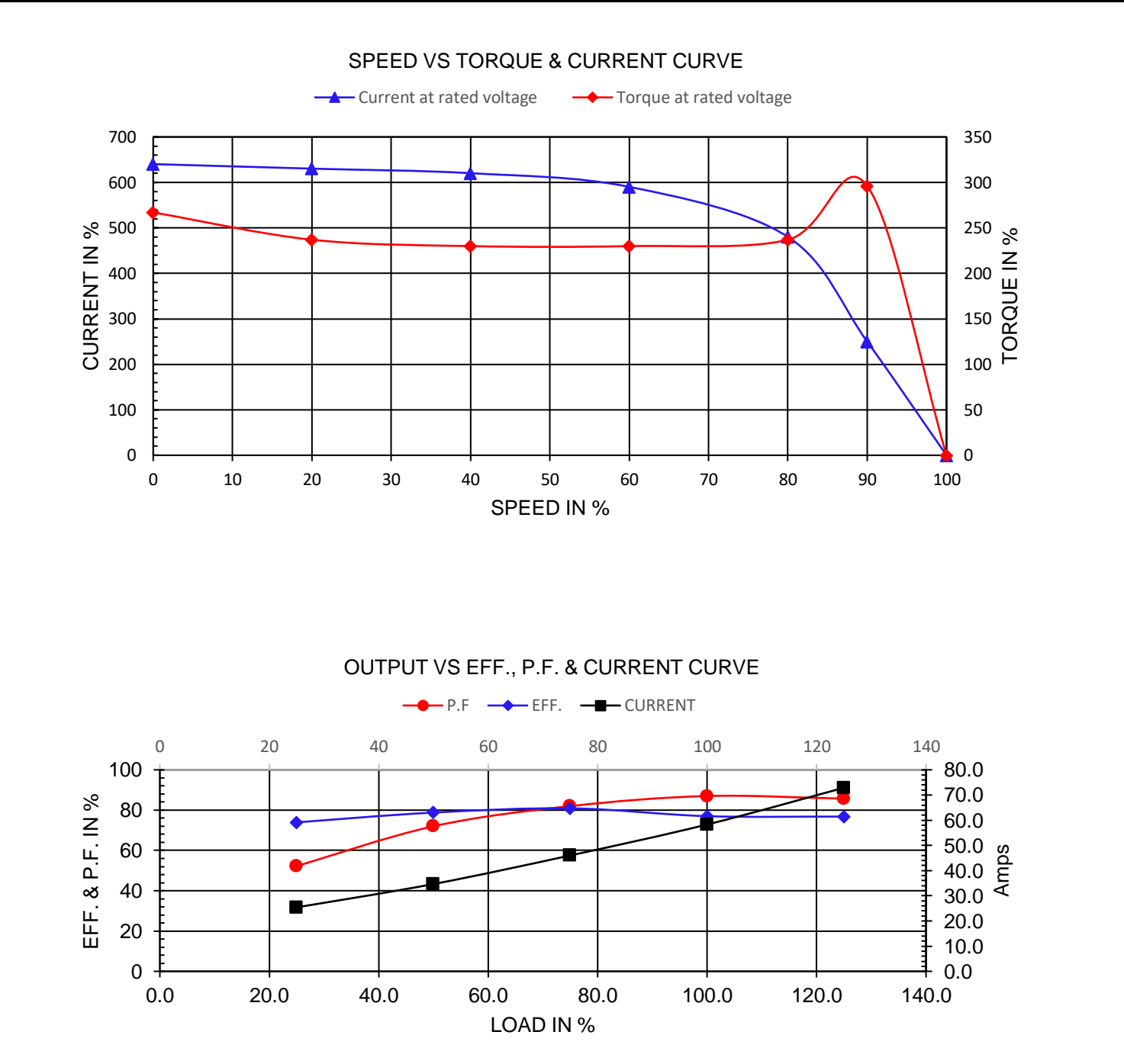
Worldwideelectric.net



Document Generated: 8-Sep-2023
Document ID:

Customer:

Motor Type	AEH3		FL Speed	1175	
Output Rating (HP)	50		LRT (%FLT)	267	460 volt FLA 58.3
Full Load Torque	221.2	lb.ft	BDT (%FLT)	296	230 volt FLA 116.6
Rotor Wk^2	26.986	lb-ft^2			



NAMEPLATE / WIRING

Premium Efficiency Motor: **LAM50-12-365T**

WorldWide Electric Corporation

1 (800) 808-2131

Worldwideelectric.net



Document Generated: 8-Sep-2023
Document ID:

Customer:

SAMPLE NAMEPLATE DATA

		THREE PHASE SEVERE DUTY MOTOR I EEE45																									
Model :			Encl :	Type :	SN :			<table style="width: 100%; text-align: center;"> <tr> <td>7</td><td>8</td><td>9</td></tr> <tr> <td>6</td><td>4</td><td>5</td></tr> <tr> <td>12</td><td>10</td><td>11</td></tr> <tr> <td>1</td><td>2</td><td>3</td></tr> <tr> <td>L1</td><td>L2</td><td>L3</td></tr> <tr> <td colspan="3">230 V</td></tr> </table>		7	8	9	6	4	5	12	10	11	1	2	3	L1	L2	L3	230 V		
7	8	9																									
6	4	5																									
12	10	11																									
1	2	3																									
L1	L2	L3																									
230 V																											
HP :	Poles :	FR:	Ins:	Duty: Cont	IP :	Max Amb 40°C		<table style="width: 100%; text-align: center;"> <tr> <td>7</td><td>8</td><td>9</td></tr> <tr> <td>4</td><td>5</td><td>6</td></tr> <tr> <td>12</td><td>10</td><td>11</td></tr> <tr> <td>1</td><td>2</td><td>3</td></tr> <tr> <td>L1</td><td>L2</td><td>L3</td></tr> <tr> <td colspan="3">460 V</td></tr> </table>		7	8	9	4	5	6	12	10	11	1	2	3	L1	L2	L3	460 V		
7	8	9																									
4	5	6																									
12	10	11																									
1	2	3																									
L1	L2	L3																									
460 V																											
Hz :		CODE :		Hz :	HP :	Design :																					
Volts :		P.F :		Volts :		DE BRG :																					
Amps :		Eff :		Amps :		ODE BRG :																					
RPM :		S.F :		RPM :		WT :																					
				S.F :		Date :																					
CC306B		LOUIS ALLIS A WORLDWIDE ELECTRIC COMPANY						UL certified Class I, Division II, Groups A,B,C,D T3B																			

Model:	LAM50-12-365T	Encl:	TEFC	Type:	AEH3		
HP:	50	Poles	6	FR:	364/5T	IP:	55
Hz:	60	CODE:	G	Hz	50	HP:	50
Volts:	230/460	P.F:	0.85	Volts:	190/380	Design:	B
Amps:	116.6/58.3	Eff:	0.941	Amps	140.8/7.04	DE BRG:	6316 C3
RPM:	1175	S.F:	1.25	RPM	970	ODE BRG:	6313 C3
				S.F:	1.00	WT:	932.6 lbs.