

# DATA SHEET

Premium Efficiency Motor: **LAM50-12-365TC**

**60 Hz**

WorldWide Electric Corporation

1 (800) 808-2131

Worldwideelectric.net



Document Generated: 14-Sep-2023  
Document ID:

Customer:

MOTOR INFORMATION	
HP	50
RPM	1200
Phase	3
Frequency	60 Hz
Voltage	230/460
Frame Size	364/5TC
Enclosure	TEFC
Degree of Protection	IP55
Service Factor	1.25
Poles	6
Full Load Speed	1175
Insulation Class	F
Temp Rise	80°C
NEMA Code Letter	G
Duty Cycle	S1 / Continuous
Slip	2.08%
NEMA Design	B
Moment of Inertia	26.986 lb.ft.^2
Locked Rotor Time (Hot)	12 seconds
Sound Pressure Level	86 dB(A)
Number of Starts	2 Cold/1 Hot
Max Ambient Temperature	40°C
Max Elevation	1000 m.a.s.l (3300 f.a.s.l)
Mounting	F1
Rotation	Bi-Directional
Area of Classification	Class 1 Division 2 Groups A,B,C,D T3B
Inverter Rating	10:1 CT / 20:1 VT
Standard	NEMA MG-1
Approvals	UL, CE, IEEE45, ABS

EFFICIENCY/POWER FACTOR		
LOAD	EFF	P. F.
100%	94.1 %	0.85
75%	94.2 %	0.81
50%	93.8 %	0.72

TORQUE		
FULL LOAD	LRT	BDT
221.2 lb.ft.	267 %	296 %

AMPERAGE INFORMATION		
	230V	460V
Full Load Amps	116.6A	58.3
Locked Rotor Amps	746.6A	373.3A
No Load Current	44.4A	22.2A
Usable at 208V	128.9 A	

BEARING INFORMATION	
DE Bearing	6316 C3
ODE Bearing	6313 C3
Grease Type	Mobil Polyrex EM
DE Regreasing Interval	2400 Hours
ODE Regreasing Interval	3600 Hours
Grease Quantity	33g/23g

ADDITIONAL DATA	
F2 Suitable	Yes
Shaft Material	AISI 1045
Connection Diagram	12 Lead Delta
Approximate Weight	932.6 lbs.

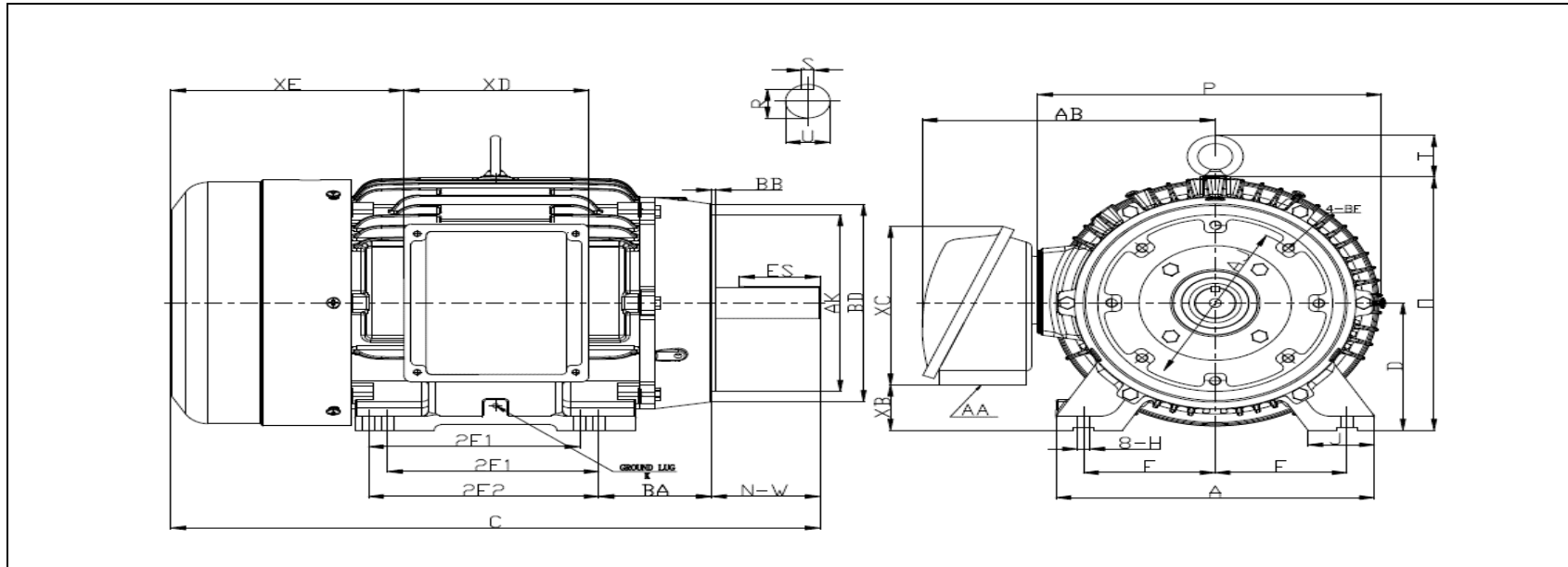
# MOTOR DRAWING

Premium Efficiency Motor: **LAM50-12-365TC**

WorldWide Electric Corporation

1 (800) 808-2131

Worldwideelectric.net



## DIMENSION - INCHES

MOUNTING					A	B	C	D	G	P	O	T	AB
E	2F1	2F2	H	BA									
7	11.25	12.25	0.66	5.88	17.72	15.4	33.52	9	1.181	18.41	20	2.81	16.53

SHAFT & KEY				
S	ES	R	N-W	U
0.625	4.28	2.021	5.88	2.375

TERMINAL BOX				
AA	XB	XC	XD	XE
3 NPT	4.29	11.27	9.17	12.4

GROUND LUG
M10

FLANGE				
AK	BD	AJ	BF	BB
12.5	14	11	8*5/8-11	0.25

# PERFORMANCE CURVES

Premium Efficiency Motor:

**LAM50-12-365TC**

WorldWide Electric Corporation

1 (800) 808-2131

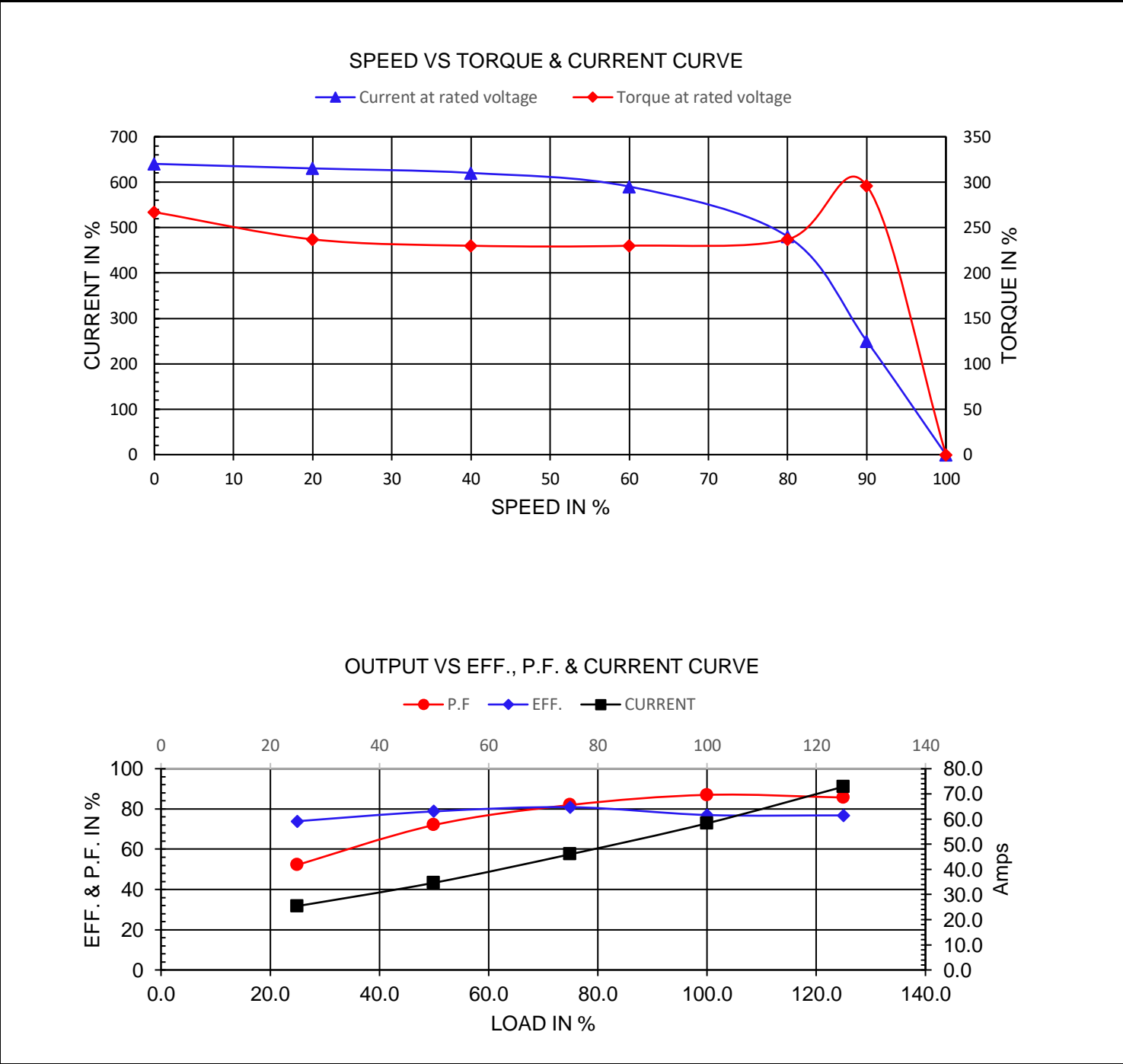
Worldwideelectric.net



Document Generated: 14-Sep-2023  
Document ID:

Customer:

Motor Type	LAM		FL Speed	1175	
Output Rating (HP)	50		LRT (%FLT)	267	460 volt FLA 58.3
Full Load Torque	221.2 lb.ft		BDT (%FLT)	296	230 volt FLA 116.6A
Rotor Wk^2	26.986 lb-ft^2				



# NAMEPLATE / WIRING

Premium Efficiency Motor: **LAM50-12-365TC**

WorldWide Electric Corporation

1 (800) 808-2131

Worldwideelectric.net



Document Generated: 14-Sep-2023  
Document ID:

Customer:

## SAMPLE NAMEPLATE DATA

		<b>THREE PHASE SEVERE DUTY MOTOR IEEE45</b>																									
Model :		Encl :	Type :	SN :			<table style="width: 100%; border-collapse: collapse;"> <tr> <td style="text-align: center;">7</td> <td style="text-align: center;">8</td> <td style="text-align: center;">9</td> </tr> <tr> <td style="text-align: center;">6</td> <td style="text-align: center;">4</td> <td style="text-align: center;">5</td> </tr> <tr> <td style="text-align: center;">12</td> <td style="text-align: center;">10</td> <td style="text-align: center;">11</td> </tr> <tr> <td style="text-align: center;">1</td> <td style="text-align: center;">2</td> <td style="text-align: center;">3</td> </tr> <tr> <td style="text-align: center;">L1</td> <td style="text-align: center;">L2</td> <td style="text-align: center;">L3</td> </tr> <tr> <td colspan="3" style="text-align: center;">230 V</td> </tr> </table>			7	8	9	6	4	5	12	10	11	1	2	3	L1	L2	L3	230 V		
7	8	9																									
6	4	5																									
12	10	11																									
1	2	3																									
L1	L2	L3																									
230 V																											
HP :	Poles :	FR:	Ins:	Duty: Cont	IP :	Max Amb 40°C																					
Hz :		CODE :	Hz :	HP :	Design :																						
Volts :		P.F :	Volts :		DE BRG :																						
Amps :		Eff :	Amps :		ODE BRG :																						
RPM :		S.F :	RPM :		WT :																						
			S.F :		Date :																						
CC306B		<b>LOUIS ALLIS</b> A WORLDWIDE ELECTRIC COMPANY					UL certified Class I, Division II, Groups A,B,C,D T3B																				

<b>Model:</b>	LAM50-12-365TC	<b>Encl:</b>	TEFC	<b>Type:</b>	AEH3
<b>HP:</b>	50	<b>Poles</b>	6	<b>FR:</b>	364/5TC
<b>Hz:</b>	60	<b>CODE:</b>	G	<b>Ins:</b>	F
<b>Volts:</b>	230/460	<b>P.F:</b>	0.85	<b>HP:</b>	50
<b>Amps:</b>	116.6/58.3	<b>Eff:</b>	0.941	<b>Design:</b>	B
<b>RPM:</b>	1175	<b>S.F:</b>	1.25	<b>DE BRG:</b>	6316 C3
				<b>ODE BRG:</b>	6313 C3
				<b>WT:</b>	932.6 lbs.
				<b>S.F:</b>	1.00