

# DATA SHEET

Premium Efficiency Motor: **LAM50-18-326T**

**60 Hz**

WorldWide Electric Corporation

1 (800) 808-2131

Worldwideelectric.net



Document Generated: 8-Sep-2023  
Document ID:

Customer:

MOTOR INFORMATION	
HP	50
RPM	1800
Phase	3
Frequency	60 Hz
Voltage	230/460
Frame Size	324/6T
Enclosure	TEFC
Degree of Protection	IP55
Service Factor	1.25
Poles	4
Full Load Speed	1775
Insulation Class	F
Temp Rise	80°C
NEMA Code Letter	G
Duty Cycle	S1 / Continuous
Slip	1.39%
NEMA Design	B
Moment of Inertia	10.429 lb.ft.^2
Locked Rotor Time (Hot)	12 seconds
Sound Pressure Level	89 dB(A)
Number of Starts	2 Cold/1 Hot
Max Ambient Temperature	40°C
Max Elevation	1000 m.a.s.l (3300 f.a.s.l)
Mounting	Rigid
Rotation	Bi-Directional
Area of Classification	Class 1 Division 2 Groups A,B,C,D T3B
Inverter Rating	10:1 CT / 20:1 VT
Standard	NEMA MG-1
Approvals	UL, CE, IEEE45, ABS

EFFICIENCY/POWER FACTOR		
LOAD	EFF	P. F.
100%	94.5 %	0.84
75%	95.1 %	0.81
50%	94.8 %	0.73

TORQUE		
FULL LOAD	LRT	BDT
147 lb.ft.	287 %	291 %

AMPERAGE INFORMATION		
	230V	460V
Full Load Amps	116.4A	58.2A
Locked Rotor Amps	721.8A	360.9A
No Load Current	40.8A	20.4A
Usable at 208V		128.7 A

BEARING INFORMATION	
DE Bearing	6314 C3
ODE Bearing	6212 C3
Grease Type	Mobil Polyrex EM
DE Regreasing Interval	2400 Hours
ODE Regreasing Interval	3600 Hours
Grease Quantity	26g/12g

ADDITIONAL DATA	
F2 Suitable	Yes
Shaft Material	AISI 1045
Connection Diagram	12 Lead Delta
Approximate Weight	698.8 lbs.

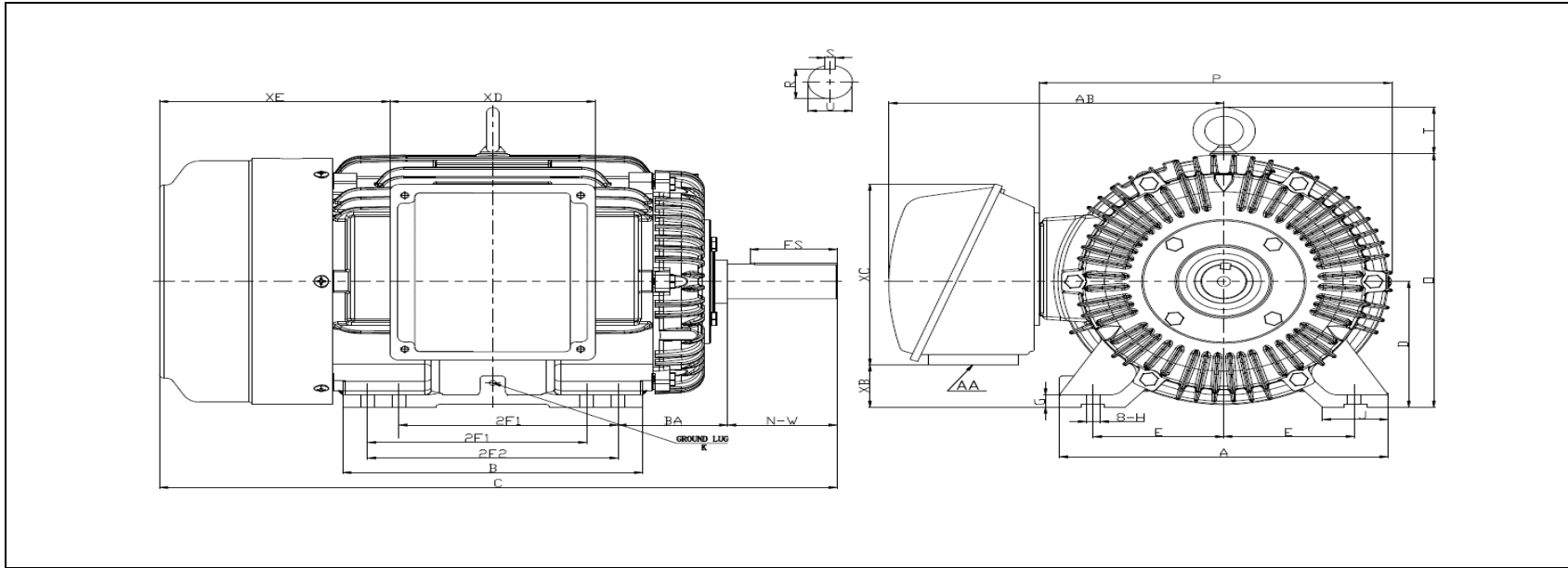
# MOTOR DRAWING

Premium Efficiency Motor: **LAM50-18-326T**

WorldWide Electric Corporation

1 (800) 808-2131

Worldwideelectric.net



## DIMENSION - INCHES

MOUNTING					A	B	C	D	G	J	P	O	T	AB
E	2F1	2F2	H	BA										
6.25	10.5	12	0.66	5.25	15.75	14.37	32.67	8	0.984	3.15	16.9	16.13	2.42	16.2

SHAFT & KEY				
S	ES	R	N-W	U
0.5	3.91	1.845	5.25	2.125

TERMINAL BOX				
AA	XB	XC	XD	XE
2 NPT	2.7	11.27	9.17	11.1

GROUND LUG
M8

# PERFORMANCE CURVES

Premium Efficiency Motor:

**LAM50-18-326T**

WorldWide Electric Corporation

1 (800) 808-2131

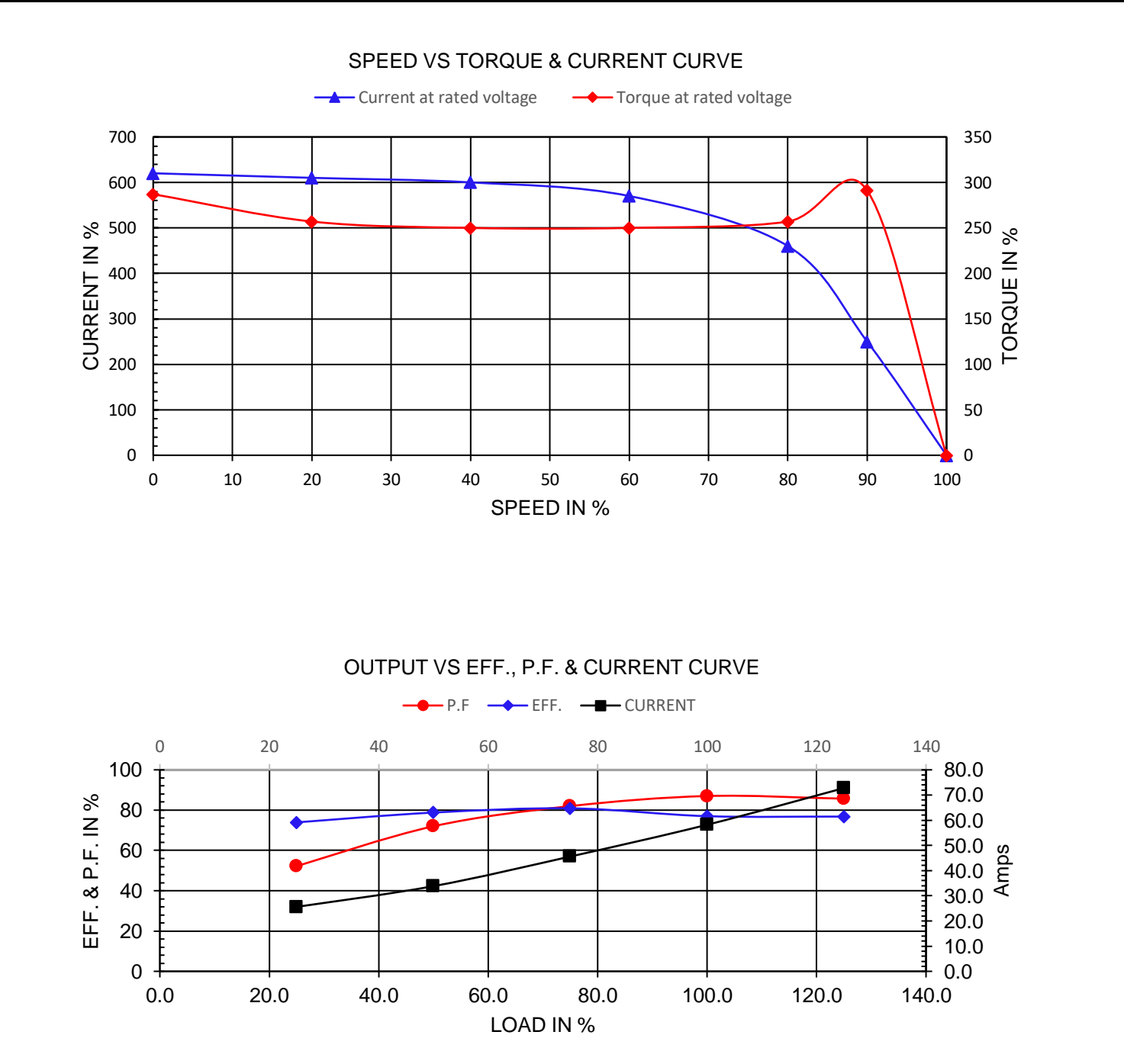
Worldwideelectric.net



Document Generated: 8-Sep-2023  
Document ID:

Customer:

Motor Type	AEH3		FL Speed	1775	
Output Rating (HP)	50		LRT (%FLT)	287	460 volt FLA 58.2
Full Load Torque	147 lb.ft		BDT (%FLT)	291	230 volt FLA 116.4
Rotor Wk^2	10.429 lb-ft^2				



# NAMEPLATE / WIRING

Premium Efficiency Motor: **LAM50-18-326T**

WorldWide Electric Corporation

1 (800) 808-2131

Worldwideelectric.net



Document Generated: 8-Sep-2023  
Document ID:

Customer:

## SAMPLE NAMEPLATE DATA

		<b>THREE PHASE SEVERE DUTY MOTOR I EEE45</b>																									
Model :		Encl :		Type :		SN :		<table style="width: 100%; text-align: center;"> <tr> <td>7</td><td>8</td><td>9</td></tr> <tr> <td>6</td><td>4</td><td>5</td></tr> <tr> <td>12</td><td>10</td><td>11</td></tr> <tr> <td>1</td><td>2</td><td>3</td></tr> <tr> <td>L1</td><td>L2</td><td>L3</td></tr> <tr> <td colspan="3">230 V</td></tr> </table>		7	8	9	6	4	5	12	10	11	1	2	3	L1	L2	L3	230 V		
7	8	9																									
6	4	5																									
12	10	11																									
1	2	3																									
L1	L2	L3																									
230 V																											
HP :	Poles :	FR:	Ins:	Duty: Cont	IP :	Max Amb 40°C		<table style="width: 100%; text-align: center;"> <tr> <td>7</td><td>8</td><td>9</td></tr> <tr> <td>4</td><td>5</td><td>6</td></tr> <tr> <td>12</td><td>10</td><td>11</td></tr> <tr> <td>1</td><td>2</td><td>3</td></tr> <tr> <td>L1</td><td>L2</td><td>L3</td></tr> <tr> <td colspan="3">460 V</td></tr> </table>		7	8	9	4	5	6	12	10	11	1	2	3	L1	L2	L3	460 V		
7	8	9																									
4	5	6																									
12	10	11																									
1	2	3																									
L1	L2	L3																									
460 V																											
Hz :	CODE :		Hz :	HP :	Design :		<p><b>UL certified Class I, Division II, Groups A,B,C,D T3B</b></p>																				
Volts :	P.F :		Volts :	DE BRG :																							
Amps :	Eff :		Amps :	ODE BRG :																							
RPM :	S.F :		RPM :	WT :																							
CC306B				LOUIS ALLIS A WORLDWIDE ELECTRIC COMPANY																							

<b>Model:</b>	LAM50-18-326T	<b>Encl:</b>	TEFC	<b>Type:</b>	AEH3		
<b>HP:</b>	50	<b>Poles</b>	4	<b>FR:</b>	324/6T	<b>IP:</b>	55
<b>Hz:</b>	60	<b>CODE:</b>	G	<b>Hz</b>	50	<b>HP:</b>	50
<b>Volts:</b>	230/460	<b>P.F:</b>	0.84	<b>Volts:</b>	190/380	<b>Design:</b>	B
<b>Amps:</b>	116.4/58.2	<b>Eff:</b>	0.945	<b>Amps</b>	139.8/69.9	<b>DE BRG:</b>	6314 C3
<b>RPM:</b>	1775	<b>S.F:</b>	1.25	<b>RPM</b>	1465	<b>ODE BRG:</b>	6212 C3
				<b>S.F:</b>	1.00	<b>WT:</b>	698.8 lbs.