

DATA SHEET

Premium Efficiency Motor: **LAM50-18-326TCRD**

60 Hz

WorldWide Electric Corporation

1 (800) 808-2131

Worldwideelectric.net



Document Generated: 14-Sep-2023
Document ID:

Customer:

MOTOR INFORMATION	
HP	50
RPM	1800
Phase	3
Frequency	60 Hz
Voltage	230/460
Frame Size	324/6TC
Enclosure	TEFC
Degree of Protection	IP55
Service Factor	1.25
Poles	4
Full Load Speed	1775
Insulation Class	F
Temp Rise	80°C
NEMA Code Letter	G
Duty Cycle	S1 / Continuous
Slip	1.39%
NEMA Design	B
Moment of Inertia	10.429 lb.ft.^2
Locked Rotor Time (Hot)	12 seconds
Sound Pressure Level	89 dB(A)
Number of Starts	2 Cold/1 Hot
Max Ambient Temperature	40°C
Max Elevation	1000 m.a.s.l (3300 f.a.s.l)
Mounting	F1
Rotation	Bi-Directional
Area of Classification	Class 1 Division 2 Groups A,B,C,D T3B
Inverter Rating	10:1 CT / 20:1 VT
Standard	NEMA MG-1
Approvals	UL, CE, IEEE45, ABS

EFFICIENCY/POWER FACTOR		
LOAD	EFF	P. F.
100%	94.5 %	0.84
75%	95.1 %	0.81
50%	94.8 %	0.73

TORQUE		
FULL LOAD	LRT	BDT
147 lb.ft.	287 %	291 %

AMPERAGE INFORMATION		
	230V	460V
Full Load Amps	116.4A	58.2
Locked Rotor Amps	721.8A	360.9A
No Load Current	40.8A	20.4A
Usable at 208V		128.7 A

BEARING INFORMATION	
DE Bearing	6314 C3
ODE Bearing	6212 C3
Grease Type	Mobil Polyrex EM
DE Regreasing Interval	2400 Hours
ODE Regreasing Interval	3600 Hours
Grease Quantity	26g/12g

ADDITIONAL DATA	
F2 Suitable	Yes
Shaft Material	AISI 1045
Connection Diagram	12 Lead Delta
Approximate Weight	698.8 lbs.

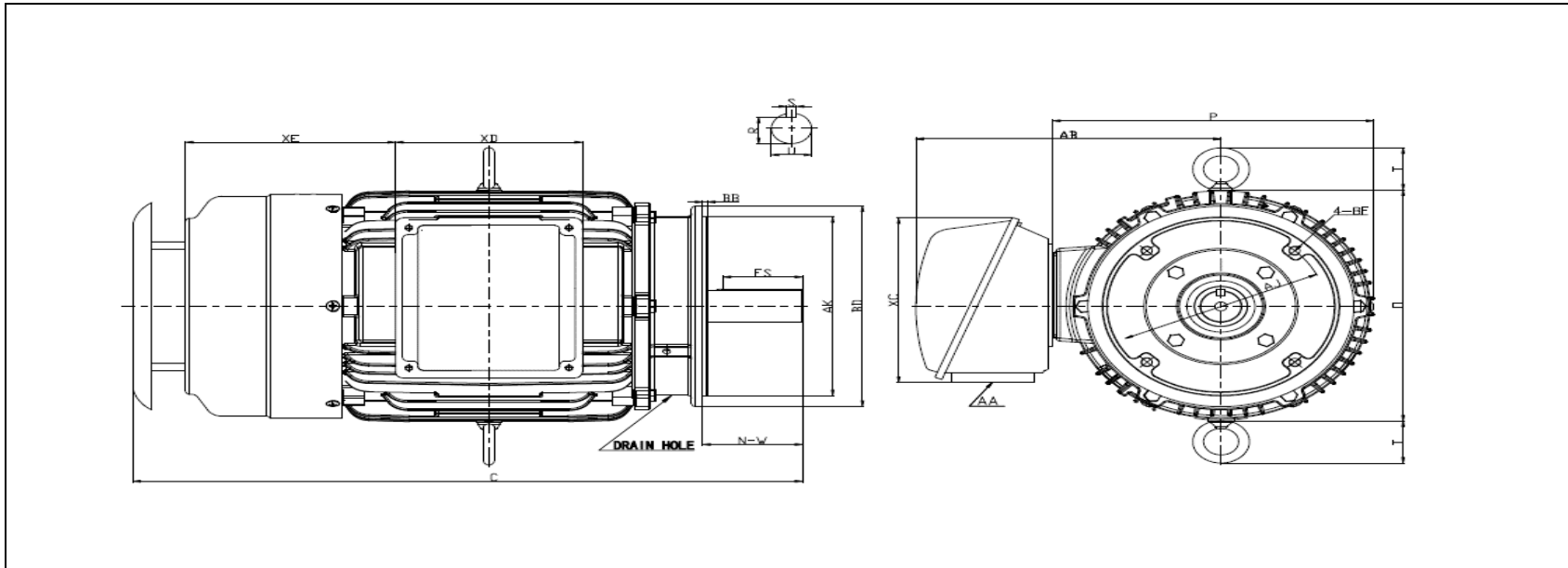
MOTOR DRAWING

Premium Efficiency Motor: **LAM50-18-326TCRD**

WorldWide Electric Corporation

1 (800) 808-2131

Worldwideelectric.net



DIMENSION - INCHES

FLANGE MOUNTING					C	P	O	T	AB
AK	BD	AJ	BF	BB					
12.5	14	11	4*5/8-11	0.25	35.5	16.9	16.19	2.42	12.95

SHAFT & KEY				
S	ES	R	N-W	U
0.5	3.91	1.845	5.25	2.125

TERMINAL BOX			
AA	XC	XD	XE
2 NPT	11.27	9.17	11.1

PERFORMANCE CURVES

WorldWide Electric Corporation

1 (800) 808-2131

Worldwideelectric.net



Premium Efficiency Motor:

LAM50-18-326TCRD

Document Generated: 14-Sep-2023	Customer:
Document ID:	

Motor Type	LAM		FL Speed	1775	
Output Rating (HP)	50		LRT (%FLT)	287	
Full Load Torque	147	lb.ft	460 volt FLA	58.2	
Rotor Wk ²	10.429	lb-ft ²	230 volt FLA	116.4A	
			BDT (%FLT)	291	

