

DATA SHEET

Premium Efficiency Motor: **LAM50-36-326TS**

60 Hz

WorldWide Electric Corporation

1 (800) 808-2131

Worldwideelectric.net



Document Generated: 8-Sep-2023
Document ID:

Customer:

MOTOR INFORMATION	
HP	50
RPM	3600
Phase	3
Frequency	60 Hz
Voltage	230/460
Frame Size	324/6TS
Enclosure	TEFC
Degree of Protection	IP55
Service Factor	1.25
Poles	2
Full Load Speed	3550
Insulation Class	F
Temp Rise	80°C
NEMA Code Letter	G
Duty Cycle	S1 / Continuous
Slip	1.39%
NEMA Design	B
Moment of Inertia	3.404 lb.ft.^2
Locked Rotor Time (Hot)	12 seconds
Sound Pressure Level	100 dB(A)
Number of Starts	2 Cold/1 Hot
Max Ambient Temperature	40°C
Max Elevation	1000 m.a.s.l (3300 f.a.s.l)
Mounting	Rigid
Rotation	Bi-Directional
Area of Classification	Class 1 Division 2 Groups A,B,C,D T3B
Inverter Rating	10:1 CT / 20:1 VT
Standard	NEMA MG-1
Approvals	UL, CE, IEEE45, ABS

EFFICIENCY/POWER FACTOR		
LOAD	EFF	P. F.
100%	93.0 %	0.9
75%	93.9 %	0.88
50%	93.2 %	0.84

TORQUE		
FULL LOAD	LRT	BDT
73.3 lb.ft.	348 %	400 %

AMPERAGE INFORMATION		
	230V	460V
Full Load Amps	110.6A	55.3A
Locked Rotor Amps	783.2A	391.6A
No Load Current	33.6A	16.8A
Usable at 208V		122.3 A

BEARING INFORMATION	
DE Bearing	6314 C3
ODE Bearing	6212 C3
Grease Type	Mobil Polyrex EM
DE Regreasing Interval	2400 Hours
ODE Regreasing Interval	3600 Hours
Grease Quantity	26g/12g

ADDITIONAL DATA	
F2 Suitable	Yes
Shaft Material	AISI 1045
Connection Diagram	12 Lead Delta
Approximate Weight	567.7 lbs.

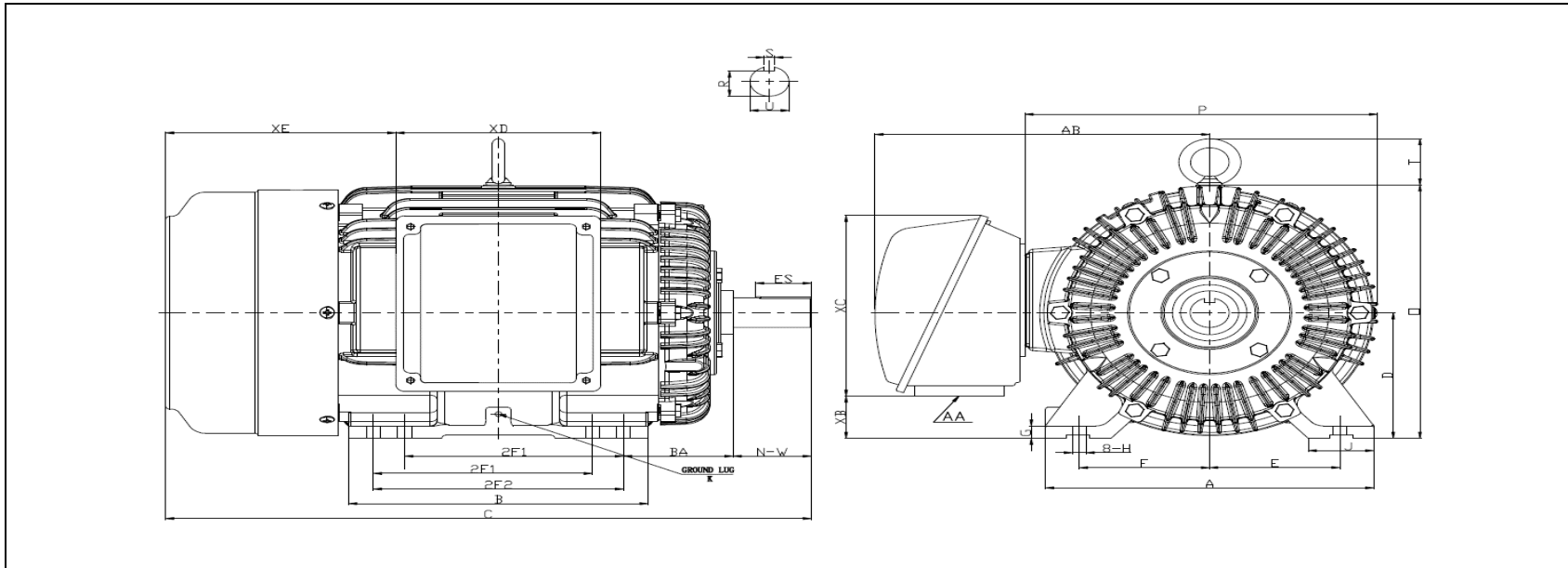
MOTOR DRAWING

Premium Efficiency Motor: **LAM50-36-326TS**

WorldWide Electric Corporation

1 (800) 808-2131

Worldwideelectric.net



DIMENSION - INCHES

MOUNTING					A	B	C	D	G	J	P	O	T	AB
E	2F1	2F2	H	BA										
6.25	10.5	12	0.66	5.25	15.75	14.37	31.17	8	0.984	3.15	16.9	16.13	2.42	16.2

SHAFT & KEY				
S	ES	R	N-W	U
0.5	2.03	1.591	3.75	1.875

TERMINAL BOX				
AA	XB	XC	XD	XE
2 NPT	2.7	11.27	9.17	11.1

GROUND LUG
M8

PERFORMANCE CURVES

Premium Efficiency Motor:

LAM50-36-326TS

WorldWide Electric Corporation

1 (800) 808-2131

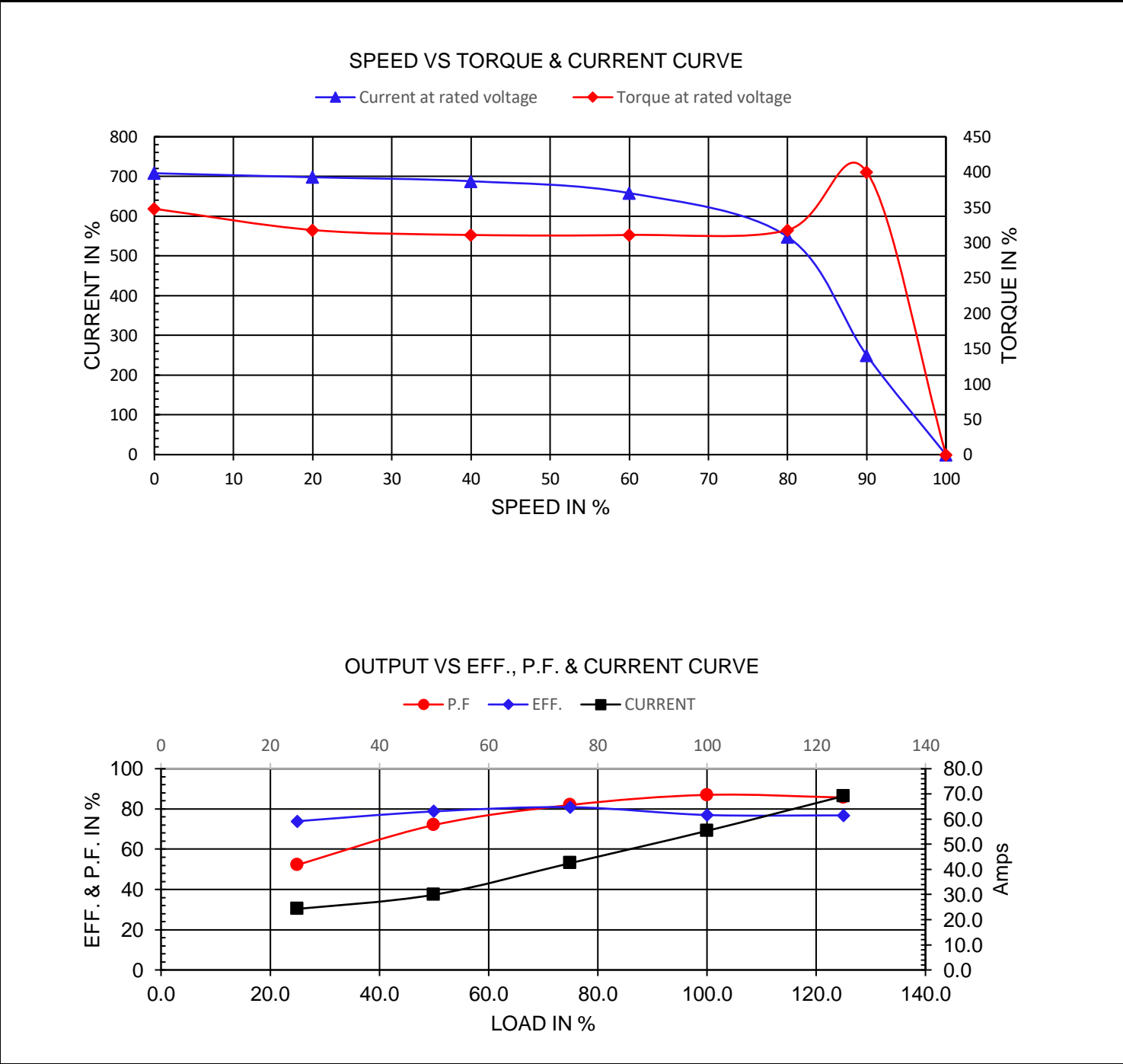
Worldwideelectric.net



Document Generated: 8-Sep-2023
Document ID:

Customer:

Motor Type	AEH3		FL Speed	3550	
Output Rating (HP)	50		LRT (%FLT)	348	
Full Load Torque	73.3	lb.ft	460 volt FLA	55.3	
Rotor Wk ²	3.404	lb-ft ²	230 volt FLA	110.6	
			BDT (%FLT)	400	



NAMEPLATE / WIRING

Premium Efficiency Motor: **LAM50-36-326TS**

WorldWide Electric Corporation

1 (800) 808-2131

Worldwideelectric.net



Document Generated: 8-Sep-2023
Document ID:

Customer:

SAMPLE NAMEPLATE DATA

		THREE PHASE SEVERE DUTY MOTOR I EEE45																									
Model :		Encl :		Type :		SN :		<table style="width: 100%; border-collapse: collapse;"> <tr> <td style="text-align: center;">7</td> <td style="text-align: center;">8</td> <td style="text-align: center;">9</td> </tr> <tr> <td style="text-align: center;">6</td> <td style="text-align: center;">4</td> <td style="text-align: center;">5</td> </tr> <tr> <td style="text-align: center;">12</td> <td style="text-align: center;">10</td> <td style="text-align: center;">11</td> </tr> <tr> <td style="text-align: center;">1</td> <td style="text-align: center;">2</td> <td style="text-align: center;">3</td> </tr> <tr> <td style="text-align: center;">L1</td> <td style="text-align: center;">L2</td> <td style="text-align: center;">L3</td> </tr> <tr> <td colspan="3" style="text-align: center;">230 V</td> </tr> </table>		7	8	9	6	4	5	12	10	11	1	2	3	L1	L2	L3	230 V		
7	8	9																									
6	4	5																									
12	10	11																									
1	2	3																									
L1	L2	L3																									
230 V																											
HP :	Poles :	FR:	Ins:	Duty: Cont	IP :	Max Amb 40°C																					
Hz :	CODE :		Hz :	HP :	Design :																						
Volts :	P.F :		Volts :	DE BRG :																							
Amps :	Eff :		Amps :	ODE BRG :																							
RPM :	S.F :		RPM :	WT :																							
			S.F :	Date :																							
CC306B		LOUIS ALLIS A WORLDWIDE ELECTRIC COMPANY						UL certified Class I, Division II, Groups A,B,C,D T3B																			

Model:	LAM50-36-326TS	Encl:	TEFC	Type:	AEH3
HP:	50	Poles	2	FR:	324/6TS
Hz:	60	CODE:	G	Ins:	F
Volts:	230/460	P.F:	0.9	Hz	50
Amps:	110.6/55.3	Eff:	0.93	HP:	50
RPM:	3550	S.F:	1.25	Volts:	190/380
			Amps	136.0/68.0	Design:
			RPM	2930	DE BRG:
			S.F:	1.00	ODE BRG:
					WT:
					567.7 lbs.