

DATA SHEET

Premium Efficiency Motor: **LAM500-18-L449TBB**

60 Hz

WorldWide Electric Corporation

1 (800) 808-2131

Worldwideelectric.net



Document Generated: 8-Sep-2023
Document ID:

Customer:

MOTOR INFORMATION	
HP	500
RPM	1800
Phase	3
Frequency	60 Hz
Voltage	460
Frame Size	L447/9T
Enclosure	TEFC
Degree of Protection	IP55
Service Factor	1.15
Poles	4
Full Load Speed	1790
Insulation Class	F
Temp Rise	80°C
NEMA Code Letter	H
Duty Cycle	S1 / Continuous
Slip	0.56%
NEMA Design	A
Moment of Inertia	176.2 lb.ft.^2
Locked Rotor Time (Hot)	12 seconds
Sound Pressure Level	108 dB(A)
Number of Starts	2 Cold/1 Hot
Max Ambient Temperature	40°C
Max Elevation	1000 m.a.s.l (3300 f.a.s.l)
Mounting	Rigid
Rotation	Bi-Directional
Area of Classification	Class 1 Division 2 Groups A,B,C,D T3B
Inverter Rating	10:1 CT / 20:1 VT
Standard	NEMA MG-1
Approvals	UL, CE, IEEE45, ABS

EFFICIENCY/POWER FACTOR		
LOAD	EFF	P. F.
100%	96.2 %	0.9
75%	96.3 %	0.89
50%	95.9 %	0.84

TORQUE		
FULL LOAD	LRT	BDT
1469.4 lb.ft.	259 %	365 %

AMPERAGE INFORMATION		
	230V	460V
Full Load Amps	--A	539.4A
Locked Rotor Amps	--A	4075A
No Load Current	--A	139.6A
Usable at 208V		-- A

BEARING INFORMATION	
DE Bearing	6320 C3
ODE Bearing	6320 C3
Grease Type	Mobil Polyrex EM
DE Regreasing Interval	2400 Hours
ODE Regreasing Interval	2400 Hours
Grease Quantity	51g/51g

ADDITIONAL DATA	
F2 Suitable	Yes
Shaft Material	4140
Connection Diagram	6 Lead Delta
Approximate Weight	lbs.

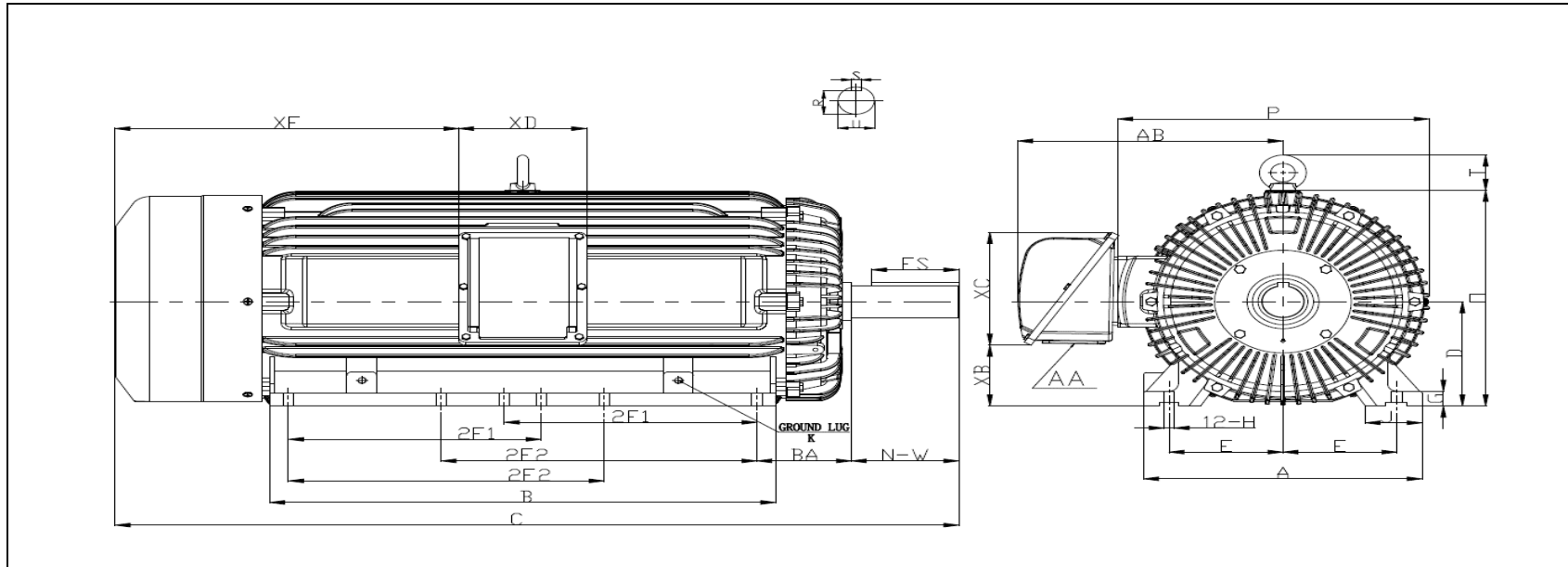
MOTOR DRAWING

Premium Efficiency Motor: **LAM500-18-L449TBB**

WorldWide Electric Corporation

1 (800) 808-2131

Worldwideelectric.net



DIMENSION - INCHES

MOUNTING					A	B	C	D	G	J	P	O	T	AB
E	2F1	2F2	H	BA										
9	20	25	0.81	7.5	22	40	66.9	11	1.417	4.33	25.8	23.8	4.85	23.4

SHAFT & KEY				
S	ES	R	N-W	U
0.875	6.91	2.88	8.5	3.375

TERMINAL BOX				
AA	XB	XC	XD	XE
3 NPT	4.13	16.2	11.6	27.2

GROUND LUG
M12

PERFORMANCE CURVES

Premium Efficiency Motor:

LAM500-18-L449TBB

WorldWide Electric Corporation

1 (800) 808-2131

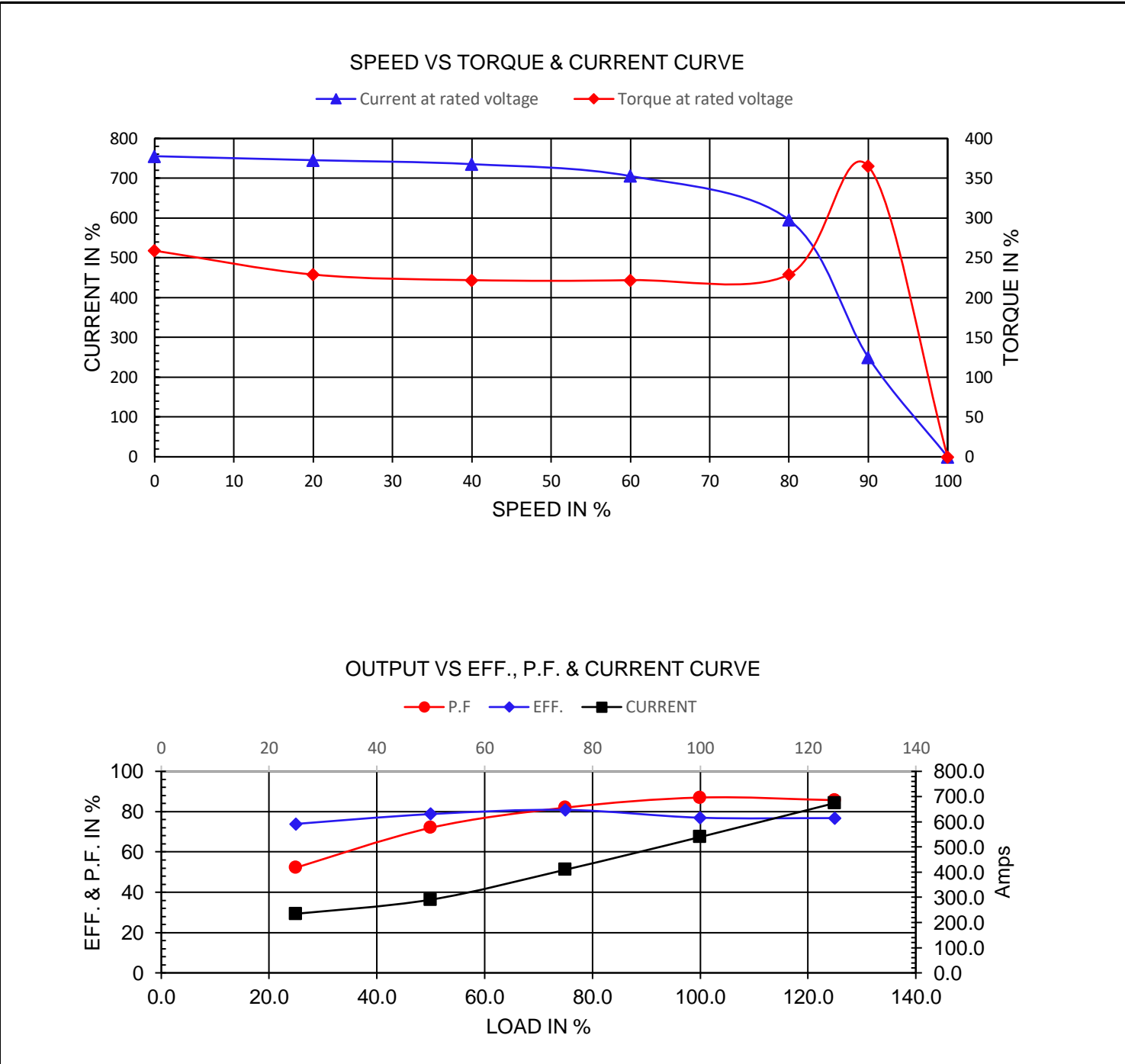
Worldwideelectric.net



Document Generated: 8-Sep-2023
Document ID:

Customer:

Motor Type	AEH3		FL Speed	1790	
Output Rating (HP)	500		LRT (%FLT)	259	460 volt FLA 539.4
Full Load Torque	1469.4 lb.ft		BDT (%FLT)	365	230 volt FLA --
Rotor Wk^2	176.2 lb-ft^2				



NAMEPLATE / WIRING

Premium Efficiency Motor: **LAM500-18-L449TBB**

WorldWide Electric Corporation

1 (800) 808-2131

Worldwideelectric.net



Document Generated: 8-Sep-2023
Document ID:

Customer:

SAMPLE NAMEPLATE DATA

		THREE PHASE SEVERE DUTY MOTOR IEEE45						
Model :		Encl :	Type :	SN :				
HP :	Poles :	FR:	Ins:	Duty: Cont	IP :			Max Amb 40°C
Hz :	CODE :		Hz :	HP :	Design :			
Volts :	P.F :		Volts :	DE BRG :				
Amps :	Eff :		Amps :	ODE BRG :				
RPM :	S.F :		RPM :	WT :				
			S.F :	Date :				
CC306B		LOUIS ALLIS A WORLDWIDE ELECTRIC COMPANY					UL certified Class I, Division II, Groups A,B,C,D T3B	

Model:	LAM500-18-L449TBB	Encl:	TEFC	Type:	AEH3		
HP:	500	Poles	4	FR:	L447/9T	IP:	55
Hz:	60	CODE:	H	Hz	50	HP:	450
Volts:	460	P.F:	0.9	Volts:	380	Design:	B
Amps:	539.4	Eff:	0.962	Amps	590.3	DE BRG:	6320 C3
RPM:	1790	S.F:	1.15	RPM	1490	ODE BRG:	6320 C3
				S.F:	1.00	WT:	lbs.