

DATA SHEET

Premium Efficiency Motor: **LAM60-36-364TS**

60 Hz

WorldWide Electric Corporation

1 (800) 808-2131

Worldwideelectric.net



Document Generated: 8-Sep-2023
Document ID:

Customer:

MOTOR INFORMATION	
HP	60
RPM	3600
Phase	3
Frequency	60 Hz
Voltage	230/460
Frame Size	364/5TS
Enclosure	TEFC
Degree of Protection	IP55
Service Factor	1.25
Poles	2
Full Load Speed	3570
Insulation Class	F
Temp Rise	80°C
NEMA Code Letter	G
Duty Cycle	S1 / Continuous
Slip	0.83%
NEMA Design	B
Moment of Inertia	6.618 lb.ft.^2
Locked Rotor Time (Hot)	12 seconds
Sound Pressure Level	101 dB(A)
Number of Starts	2 Cold/1 Hot
Max Ambient Temperature	40°C
Max Elevation	1000 m.a.s.l (3300 f.a.s.l)
Mounting	Rigid
Rotation	Bi-Directional
Area of Classification	Class 1 Division 2 Groups A,B,C,D T3B
Inverter Rating	10:1 CT / 20:1 VT
Standard	NEMA MG-1
Approvals	UL, CE, IEEE45, ABS

EFFICIENCY/POWER FACTOR		
LOAD	EFF	P. F.
100%	93.6 %	0.92
75%	93.1 %	0.93
50%	92.2 %	0.91

TORQUE		
FULL LOAD	LRT	BDT
89.2 lb.ft.	278 %	336 %

AMPERAGE INFORMATION		
	230V	460V
Full Load Amps	131.4A	65.7A
Locked Rotor Amps	894.4A	447.2A
No Load Current	19.2A	9.6A
Usable at 208V		145.3 A

BEARING INFORMATION	
DE Bearing	6316 C3
ODE Bearing	6313 C3
Grease Type	Mobil Polyrex EM
DE Regreasing Interval	2400 Hours
ODE Regreasing Interval	3600 Hours
Grease Quantity	26g/12g

ADDITIONAL DATA	
F2 Suitable	Yes
Shaft Material	AISI 1045
Connection Diagram	12 Lead Delta
Approximate Weight	806.8 lbs.

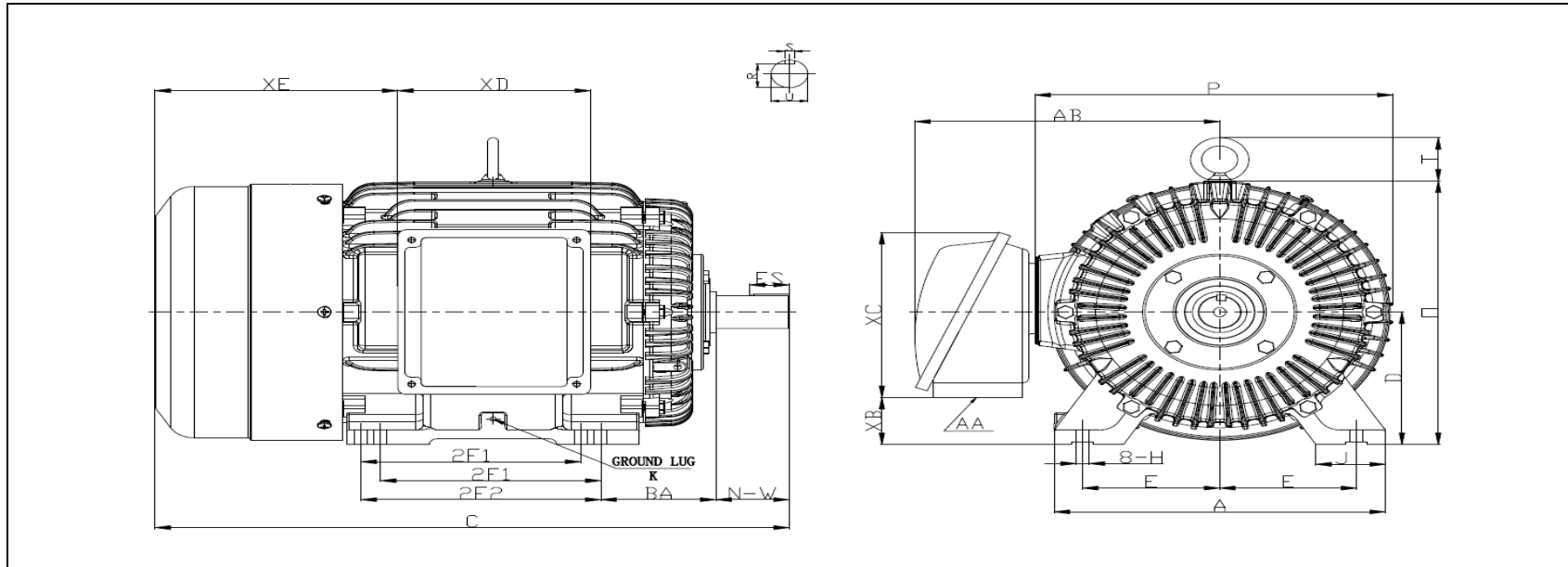
MOTOR DRAWING

Premium Efficiency Motor: **LAM60-36-364TS**

WorldWide Electric Corporation

1 (800) 808-2131

Worldwideelectric.net



DIMENSION - INCHES

MOUNTING					A	B	C	D	G	J	P	O	T	AB
E	2F1	2F2	H	BA										
7	11.25	12.25	0.66	5.88	17.72	15.4	31.39	9	1.181	3.543	18.41	20	2.81	16.53

SHAFT & KEY				
S	ES	R	N-W	U
0.5	2.03	1.591	3.75	1.875

TERMINAL BOX				
AA	XB	XC	XD	XE
3 NPT	4.29	11.27	9.17	12.4

GROUND LUG
M10

PERFORMANCE CURVES

Premium Efficiency Motor:

LAM60-36-364TS

WorldWide Electric Corporation

1 (800) 808-2131

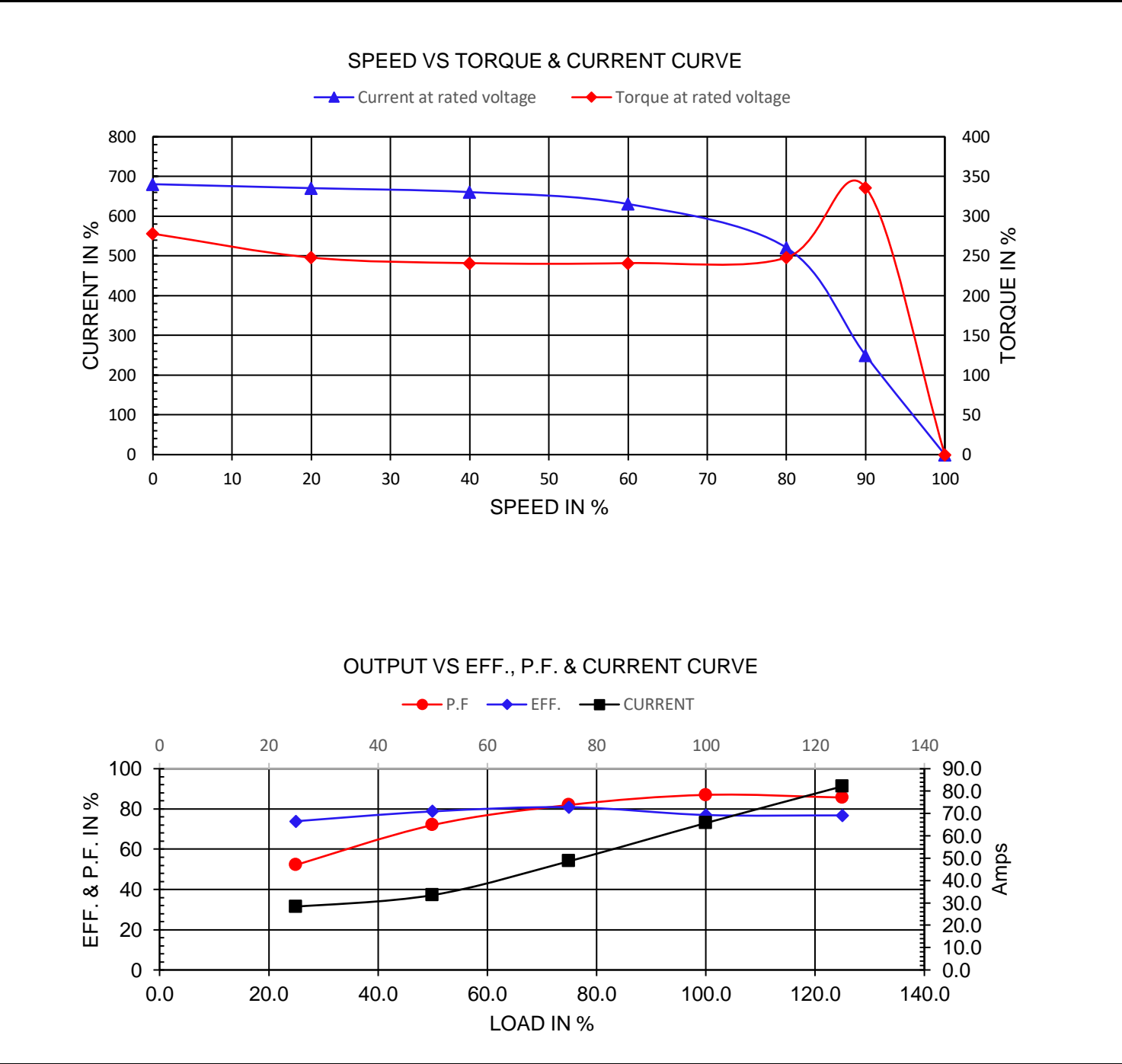
Worldwideelectric.net



Document Generated: 8-Sep-2023
Document ID:

Customer:

Motor Type	AEH3		FL Speed	3570	
Output Rating (HP)	60		LRT (%FLT)	278	
Full Load Torque	89.2	lb.ft	460 volt FLA	65.7	
Rotor Wk^2	6.618	lb-ft^2	230 volt FLA	131.4	
			BDT (%FLT)	336	



NAMEPLATE / WIRING

Premium Efficiency Motor: **LAM60-36-364TS**

WorldWide Electric Corporation

1 (800) 808-2131

Worldwideelectric.net



Document Generated: 8-Sep-2023
Document ID:

Customer:

SAMPLE NAMEPLATE DATA

		THREE PHASE SEVERE DUTY MOTOR I EEE45							
Model :			Encl :		Type :		SN :		
HP :	Poles :	FR:	Ins:	Duty: Cont	IP :	Max Amb 40°C			
Hz :	CODE :		Hz :	HP :	Design :				
Volts :	P.F :		Volts :	DE BRG :					
Amps :	Eff :		Amps :	ODE BRG :					
RPM :	S.F :		RPM :	WT :					
			S.F :	Date :					
CC306B		LOUIS ALLIS A WORLDWIDE ELECTRIC COMPANY						UL certified Class I, Division II, Groups A,B,C,D T3B	

Model:	LAM60-36-364TS	Encl:	TEFC	Type:	AEH3		
HP:	60	Poles	2	FR:	364/5TS		
Hz:	60	CODE:	G	Ins:	F		
Volts:	230/460	P.F:	0.92	Hz	50		
Amps:	134.2/67.1	Eff:	0.936	HP:	60		
RPM:	3570	S.F:	1.25	RPM	2960		
			S.F:	1.00	Design:	B	
						DE BRG:	6316 C3
						ODE BRG:	6313 C3
						WT:	806.8 lbs.