

DATA SHEET

Premium Efficiency Motor: **LAM60-36-364TSC**

60 Hz

WorldWide Electric Corporation

1 (800) 808-2131

Worldwideelectric.net



Document Generated: 14-Sep-2023
Document ID:

Customer:

MOTOR INFORMATION	
HP	60
RPM	3600
Phase	3
Frequency	60 Hz
Voltage	230/460
Frame Size	364/5TSC
Enclosure	TEFC
Degree of Protection	IP55
Service Factor	1.25
Poles	2
Full Load Speed	3570
Insulation Class	F
Temp Rise	80°C
NEMA Code Letter	G
Duty Cycle	S1 / Continuous
Slip	0.83%
NEMA Design	B
Moment of Inertia	6.618 lb.ft.^2
Locked Rotor Time (Hot)	12 seconds
Sound Pressure Level	101 dB(A)
Number of Starts	2 Cold/1 Hot
Max Ambient Temperature	40°C
Max Elevation	1000 m.a.s.l (3300 f.a.s.l)
Mounting	F1
Rotation	Bi-Directional
Area of Classification	Class 1 Division 2 Groups A,B,C,D T3B
Inverter Rating	10:1 CT / 20:1 VT
Standard	NEMA MG-1
Approvals	UL, CE, IEEE45, ABS

EFFICIENCY/POWER FACTOR		
LOAD	EFF	P. F.
100%	93.6 %	0.92
75%	93.1 %	0.93
50%	92.2 %	0.91

TORQUE		
FULL LOAD	LRT	BDT
89.2 lb.ft.	278 %	336 %

AMPERAGE INFORMATION		
	230V	460V
Full Load Amps	131.4A	65.7
Locked Rotor Amps	894.4A	447.2A
No Load Current	19.2A	9.6A
Usable at 208V	145.3 A	

BEARING INFORMATION	
DE Bearing	6316 C3
ODE Bearing	6313 C3
Grease Type	Mobil Polyrex EM
DE Regreasing Interval	2400 Hours
ODE Regreasing Interval	3600 Hours
Grease Quantity	26g/12g

ADDITIONAL DATA	
F2 Suitable	Yes
Shaft Material	AISI 1045
Connection Diagram	12 Lead Delta
Approximate Weight	806.8 lbs.

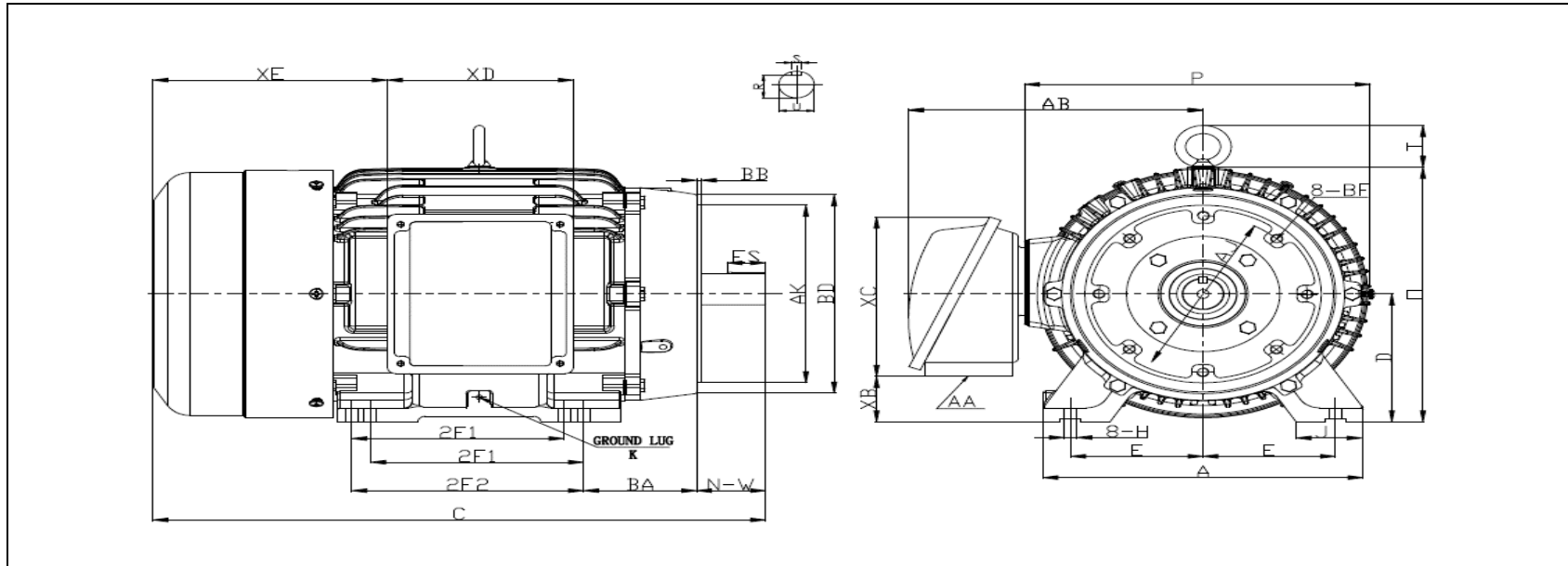
MOTOR DRAWING

Premium Efficiency Motor: **LAM60-36-364TSC**

WorldWide Electric Corporation

1 (800) 808-2131

Worldwideelectric.net



DIMENSION - INCHES

MOUNTING					A	B	C	D	G	P	O	T	AB
E	2F1	2F2	H	BA									
7	11.25	12.25	0.66	5.88	17.72	15.4	31.39	9	1.181	18.41	20	2.81	16.53

SHAFT & KEY				
S	ES	R	N-W	U
0.5	2.03	1.591	3.75	1.875

TERMINAL BOX				
AA	XB	XC	XD	XE
3 NPT	4.29	11.27	9.17	12.4

GROUND LUG
M10

FLANGE				
AK	BD	AJ	BF	BB
12.5	14	11	8*5/8-11	0.25

PERFORMANCE CURVES

WorldWide Electric Corporation

1 (800) 808-2131

Worldwideelectric.net

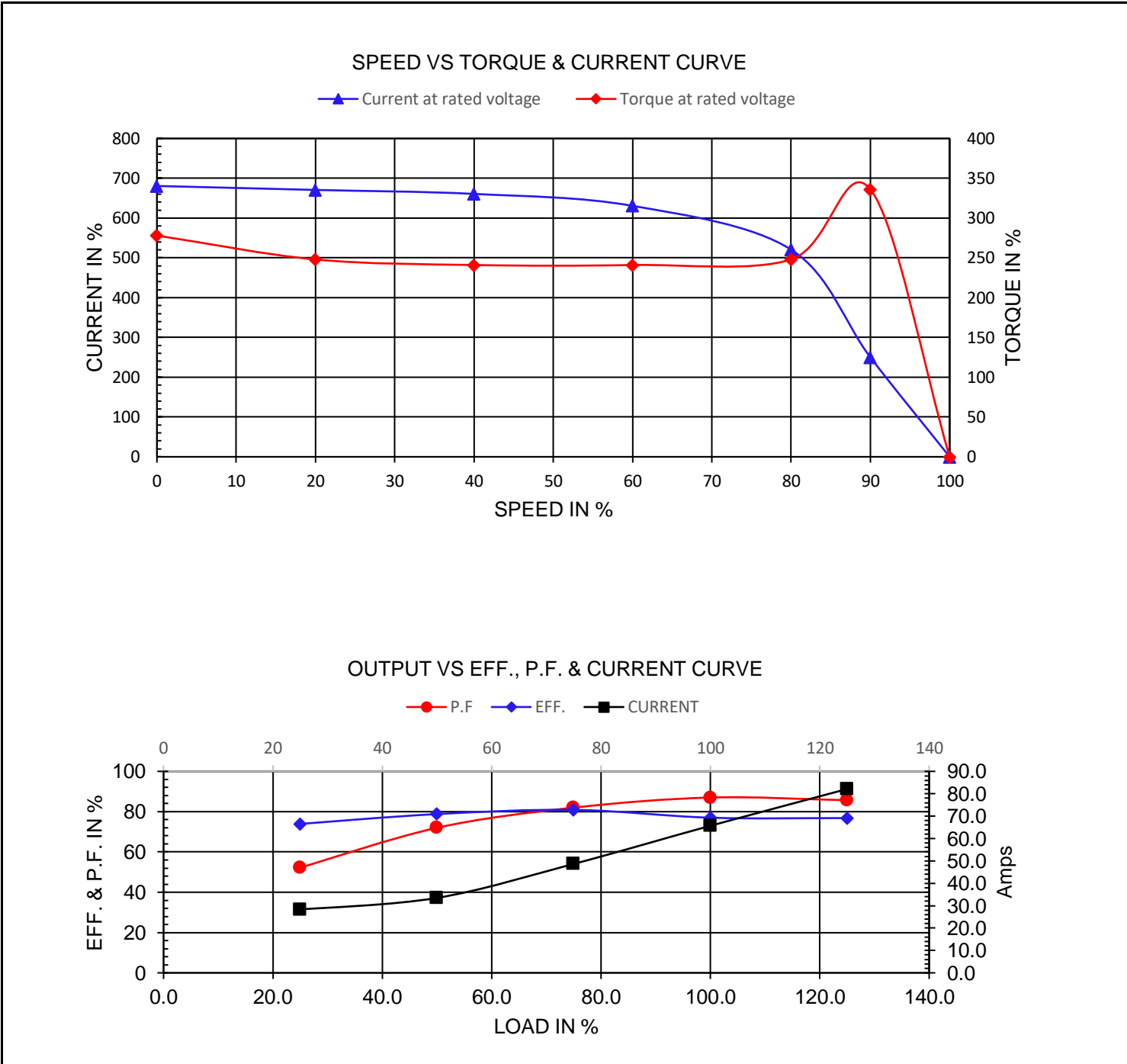


Premium Efficiency Motor:

LAM60-36-364TSC

Document Generated: 14-Sep-2023	Customer:
Document ID:	

Motor Type	LAM		FL Speed	3570	460 volt FLA	65.7
Output Rating (HP)	60		LRT (%FLT)	278	230 volt FLA	131.4A
Full Load Torque	89.2	lb.ft	BDT (%FLT)	336		
Rotor Wk^2	6.618	lb-ft^2				



NAMEPLATE / WIRING

Premium Efficiency Motor: **LAM60-36-364TSC**

WorldWide Electric Corporation

1 (800) 808-2131

Worldwideelectric.net



Document Generated: 14-Sep-2023
Document ID:

Customer:

SAMPLE NAMEPLATE DATA

		THREE PHASE SEVERE DUTY MOTOR I EEE45																									
Model :		Encl :	Type :	SN :			<table style="width: 100%; text-align: center;"> <tr> <td>7</td><td>8</td><td>9</td></tr> <tr> <td>6</td><td>4</td><td>5</td></tr> <tr> <td>12</td><td>10</td><td>11</td></tr> <tr> <td>1</td><td>2</td><td>3</td></tr> <tr> <td>L1</td><td>L2</td><td>L3</td></tr> <tr> <td colspan="3">230 V</td></tr> </table>			7	8	9	6	4	5	12	10	11	1	2	3	L1	L2	L3	230 V		
7	8	9																									
6	4	5																									
12	10	11																									
1	2	3																									
L1	L2	L3																									
230 V																											
HP :	Poles :	FR:	Ins:	Duty: Cont	IP :	Max Amb 40°C	<table style="width: 100%; text-align: center;"> <tr> <td>7</td><td>8</td><td>9</td></tr> <tr> <td>4</td><td>5</td><td>6</td></tr> <tr> <td>12</td><td>10</td><td>11</td></tr> <tr> <td>1</td><td>2</td><td>3</td></tr> <tr> <td>L1</td><td>L2</td><td>L3</td></tr> <tr> <td colspan="3">460 V</td></tr> </table>			7	8	9	4	5	6	12	10	11	1	2	3	L1	L2	L3	460 V		
7	8	9																									
4	5	6																									
12	10	11																									
1	2	3																									
L1	L2	L3																									
460 V																											
Hz :	CODE :		Hz :	HP :	Design :		<p>UL certified Class I, Division II, Groups A,B,C,D T3B</p>																				
Volts :	P.F :		Volts :	DE BRG :																							
Amps :	Eff :		Amps :	ODE BRG :																							
RPM :	S.F :		RPM :	WT :																							
CC306B				LOUIS ALLIS A WORLDWIDE ELECTRIC COMPANY																							

Model:	LAM60-36-364TSC	Encl:	TEFC	Type:	AEH3	
HP:	60	Poles	2	FR:	364/5TSC	Ins: F
Hz:	60	CODE:	G	Hz	50	HP: 60
Volts:	230/460	P.F:	0.92	Volts:	190/380	Design: B
Amps:	134.2/67.1	Eff:	0.936	Amps	162.2/81.1	DE BRG: 6316 C3
RPM:	3570	S.F:	1.25	RPM	2960	ODE BRG: 6313 C3
				S.F:	1.00	WT: 806.8 lbs.