

DATA SHEET

Premium Efficiency Motor: **LAM7.5-12-254T**

60 Hz

WorldWide Electric Corporation

1 (800) 808-2131

Worldwideelectric.net



Document Generated: 8-Sep-2023
Document ID:

Customer:

MOTOR INFORMATION	
HP	7.5
RPM	1200
Phase	3
Frequency	60 Hz
Voltage	230/460
Frame Size	254/6T
Enclosure	TEFC
Degree of Protection	IP55
Service Factor	1.25
Poles	6
Full Load Speed	1170
Insulation Class	F
Temp Rise	80°C
NEMA Code Letter	H
Duty Cycle	S1 / Continuous
Slip	2.50%
NEMA Design	B
Moment of Inertia	1.992 lb.ft.^2
Locked Rotor Time (Hot)	12 seconds
Sound Pressure Level	75 dB(A)
Number of Starts	2 Cold/1 Hot
Max Ambient Temperature	40°C
Max Elevation	1000 m.a.s.l (3300 f.a.s.l)
Mounting	Rigid
Rotation	Bi-Directional
Area of Classification	Class 1 Division 2 Groups A,B,C,D T3B
Inverter Rating	10:1 CT / 20:1 VT
Standard	NEMA MG-1
Approvals	UL, CE, IEEE45, ABS

EFFICIENCY/POWER FACTOR		
LOAD	EFF	P. F.
100%	91.0 %	0.78
75%	91.4 %	0.72
50%	90.4 %	0.6

TORQUE		
FULL LOAD	LRT	BDT
32.8 lb.ft.	315 %	329 %

AMPERAGE INFORMATION		
	230V	460V
Full Load Amps	19.4A	9.7A
Locked Rotor Amps	133.2A	66.6A
No Load Current	9.4A	4.7A
Usable at 208V	21.5 A	

BEARING INFORMATION	
DE Bearing	6309 C3
ODE Bearing	6307 C3
Grease Type	Mobil Polyrex EM
DE Regreasing Interval	2400 Hours
ODE Regreasing Interval	3600 Hours
Grease Quantity	13g/8g

ADDITIONAL DATA	
F2 Suitable	Yes
Shaft Material	AISI 1045
Connection Diagram	9 Lead Wye
Approximate Weight	274.4 lbs.

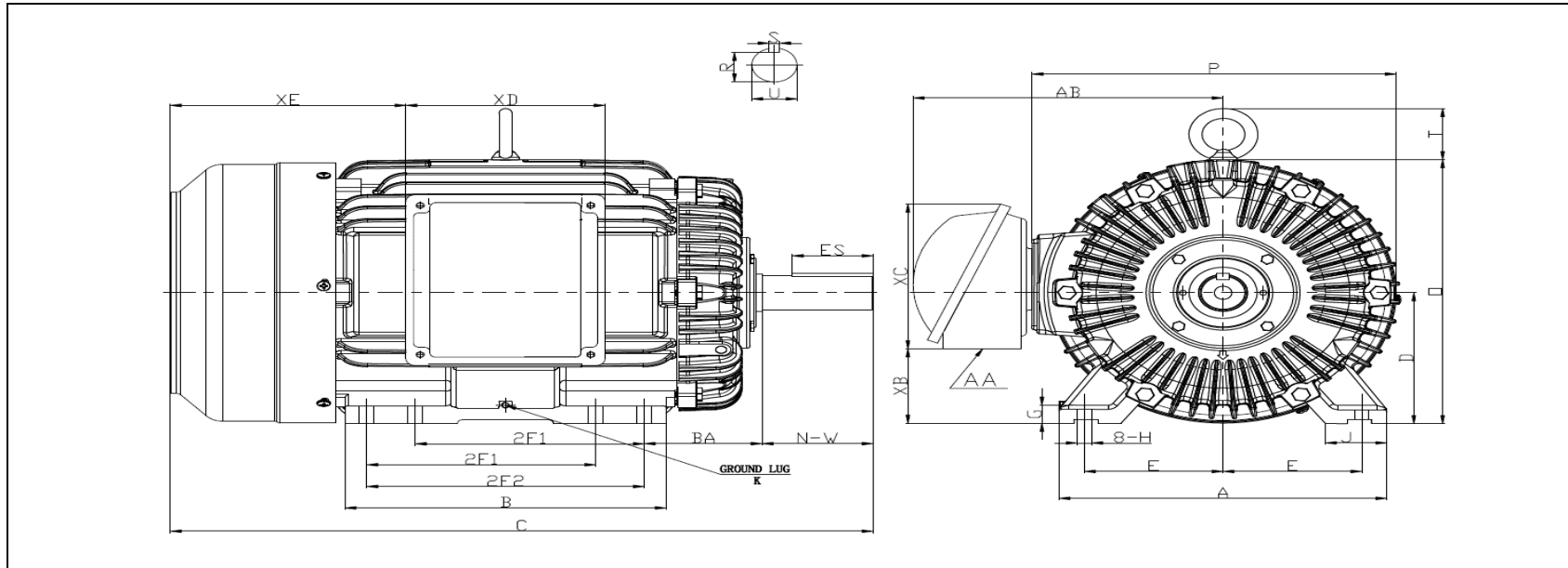
MOTOR DRAWING

Premium Efficiency Motor: **LAM7.5-12-254T**

WorldWide Electric Corporation

1 (800) 808-2131

Worldwideelectric.net



DIMENSION - INCHES

MOUNTING					A	B	C	D	G	J	P	O	T	AB
E	2F1	2F2	H	BA										
5	8.25	10	0.53	4.25	11.8	11.57	25.39	6.25	0.669	2.038	13.46	12.68	2.03	10.57

SHAFT & KEY				
S	ES	R	N-W	U
0.375	2.91	1.416	4	1.625

TERMINAL BOX				
AA	XB	XC	XD	XE
1-1/2 NPT	2.86	7.2	5.8	8.1

GROUND LUG
M8

PERFORMANCE CURVES

WorldWide Electric Corporation

1 (800) 808-2131

Worldwideelectric.net



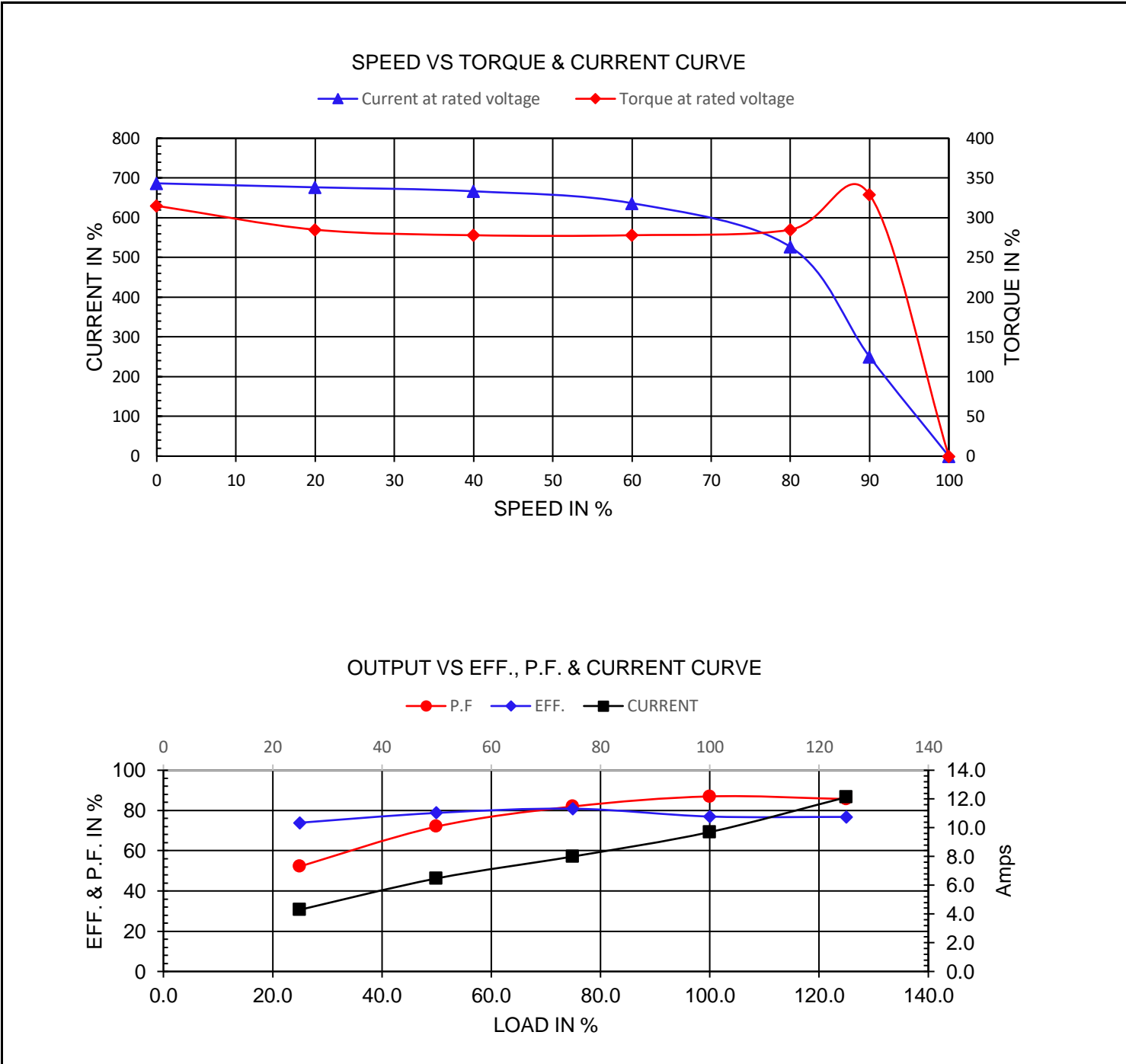
Premium Efficiency Motor:

LAM7.5-12-254T

Document Generated: 8-Sep-2023
Document ID:

Customer:

Motor Type	AEH3		FL Speed	1170	
Output Rating (HP)	7.5		LRT (%FLT)	315	460 volt FLA 9.7
Full Load Torque	32.8	lb.ft	BDT (%FLT)	329	230 volt FLA 19.4
Rotor Wk ²	1.992	lb-ft ²			



NAMEPLATE / WIRING

Premium Efficiency Motor: **LAM7.5-12-254T**

WorldWide Electric Corporation

1 (800) 808-2131

Worldwideelectric.net



Document Generated: 8-Sep-2023
Document ID:

Customer:

SAMPLE NAMEPLATE DATA

		THREE PHASE SEVERE DUTY MOTOR IEEE45																																					
Model :		Encl :	Type :	SN :			<table style="width: 100%; text-align: center;"> <tr> <td>4</td><td>5</td><td>6</td></tr> <tr> <td>7</td><td>8</td><td>9</td></tr> <tr> <td>1</td><td>2</td><td>3</td></tr> <tr> <td>L1</td><td>L2</td><td>L3</td></tr> <tr> <td colspan="3">230 V</td></tr> <tr> <td>7</td><td>8</td><td>9</td></tr> <tr> <td>4</td><td>5</td><td>6</td></tr> <tr> <td>1</td><td>2</td><td>3</td></tr> <tr> <td>L1</td><td>L2</td><td>L3</td></tr> <tr> <td colspan="3">460 V</td></tr> </table>			4	5	6	7	8	9	1	2	3	L1	L2	L3	230 V			7	8	9	4	5	6	1	2	3	L1	L2	L3	460 V		
4	5	6																																					
7	8	9																																					
1	2	3																																					
L1	L2	L3																																					
230 V																																							
7	8	9																																					
4	5	6																																					
1	2	3																																					
L1	L2	L3																																					
460 V																																							
HP :	Poles :	FR:	Ins:	Duty: Cont	IP :	Max Amb 40°C																																	
Hz :	CODE :		Hz :		Design :																																		
Volts :	P.F :		Volts :		DE BRG :																																		
Amps :	Eff :		Amps :		ODE BRG :																																		
RPM :	S.F :		RPM :		WT :																																		
			S.F :		Date :																																		
GC306B					LOUIS ALLIS A WORLDWIDE ELECTRIC COMPANY				UL certified Class I, Division II, Groups A,B,C,D T3B																														

Model:	LAM7.5-12-254T	Encl:	TEFC	Type:	AEH3		
HP:	7.5	Poles	6	FR:	254/6T	IP:	55
Hz:	60	CODE:	H	Hz	50	HP:	7.5
Volts:	230/460	P.F:	0.78	Volts:	190/380	Design:	B
Amps:	19.4/9.7	Eff:	0.91	Amps	33.4/11.7	DE BRG:	6309 C3
RPM:	1170	S.F:	1.25	RPM	970	ODE BRG:	6307 C3
				S.F:	1.00	WT:	274.4 lbs.