

DATA SHEET

Premium Efficiency Motor: **LAM7.5-12-254TC**

60 Hz

WorldWide Electric Corporation

1 (800) 808-2131

Worldwideelectric.net



Document Generated: 14-Sep-2023
Document ID:

Customer:

MOTOR INFORMATION	
HP	7.5
RPM	1200
Phase	3
Frequency	60 Hz
Voltage	230/460
Frame Size	254/6TC
Enclosure	TEFC
Degree of Protection	IP55
Service Factor	1.25
Poles	6
Full Load Speed	1170
Insulation Class	F
Temp Rise	80°C
NEMA Code Letter	H
Duty Cycle	S1 / Continuous
Slip	2.50%
NEMA Design	B
Moment of Inertia	1.992 lb.ft.^2
Locked Rotor Time (Hot)	12 seconds
Sound Pressure Level	75 dB(A)
Number of Starts	2 Cold/1 Hot
Max Ambient Temperature	40°C
Max Elevation	1000 m.a.s.l (3300 f.a.s.l)
Mounting	F1
Rotation	Bi-Directional
Area of Classification	Class 1 Division 2 Groups A,B,C,D T3B
Inverter Rating	10:1 CT / 20:1 VT
Standard	NEMA MG-1
Approvals	UL, CE, IEEE45, ABS

EFFICIENCY/POWER FACTOR		
LOAD	EFF	P. F.
100%	91.0 %	0.78
75%	91.4 %	0.72
50%	90.4 %	0.6

TORQUE		
FULL LOAD	LRT	BDT
32.8 lb.ft.	315 %	329 %

AMPERAGE INFORMATION		
	230V	460V
Full Load Amps	19.4A	9.7
Locked Rotor Amps	133.2A	66.6A
No Load Current	9.4A	4.7A
Usable at 208V	21.5 A	

BEARING INFORMATION	
DE Bearing	6309 C3
ODE Bearing	6307 C3
Grease Type	Mobil Polyrex EM
DE Regreasing Interval	2400 Hours
ODE Regreasing Interval	3600 Hours
Grease Quantity	13g/8g

ADDITIONAL DATA	
F2 Suitable	Yes
Shaft Material	AISI 1045
Connection Diagram	9 Lead Wye
Approximate Weight	274.4 lbs.

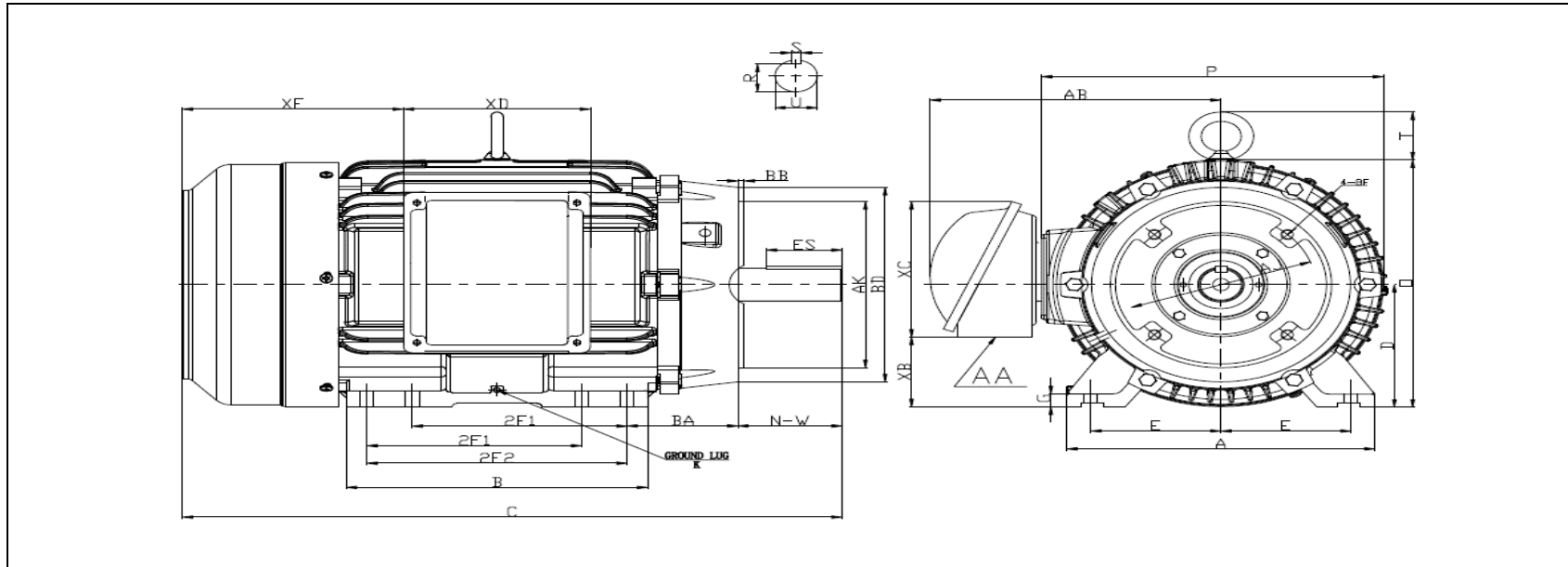
MOTOR DRAWING

Premium Efficiency Motor: **LAM7.5-12-254TC**

WorldWide Electric Corporation

1 (800) 808-2131

Worldwideelectric.net



DIMENSION - INCHES

MOUNTING					A	B	C	D	G	P	O	T	AB
E	2F1	2F2	H	BA									
5	8.25	10	0.53	4.25	11.8	11.57	25.39	6.25	0.669	13.46	12.68	2.03	10.57

SHAFT & KEY				
S	ES	R	N-W	U
0.375	2.91	1.416	4	1.625

TERMINAL BOX				
AA	XB	XC	XD	XE
1-1/2 NPT	2.86	7.2	5.8	8.1

GROUND LUG
M8

FLANGE				
AK	BD	AJ	BF	BB
8.5	10	7.25	4*1/2-13	0.25

PERFORMANCE CURVES

Premium Efficiency Motor:

LAM7.5-12-254TC

WorldWide Electric Corporation

1 (800) 808-2131

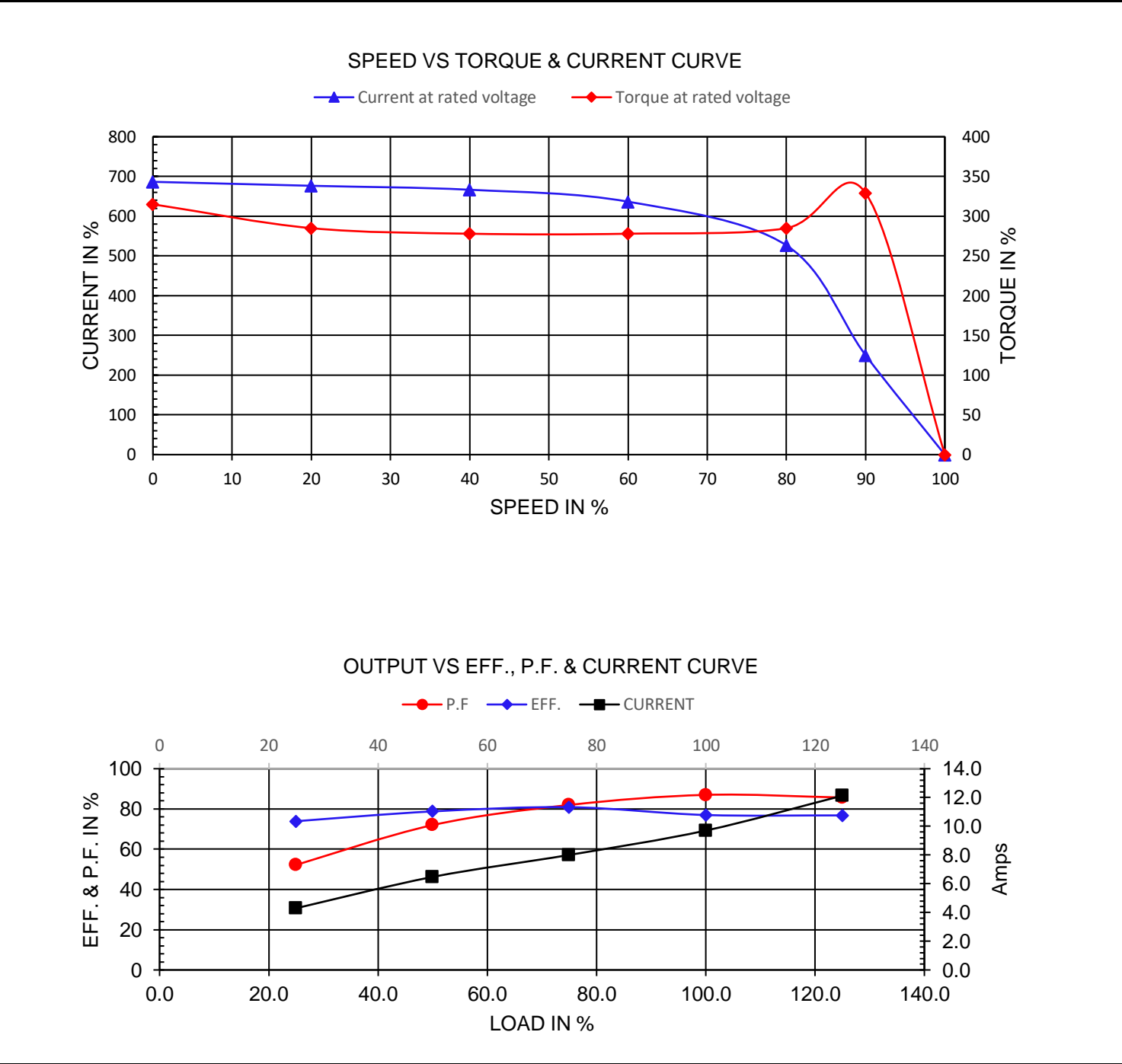
Worldwideelectric.net



Document Generated: 14-Sep-2023
Document ID:

Customer:

Motor Type	LAM		FL Speed	1170	
Output Rating (HP)	7.5		LRT (%FLT)	315	460 volt FLA 9.7
Full Load Torque	32.8	lb.ft	BDT (%FLT)	329	230 volt FLA 19.4A
Rotor Wk ²	1.992	lb-ft ²			



NAMEPLATE / WIRING

Premium Efficiency Motor: **LAM7.5-12-254TC**

WorldWide Electric Corporation

1 (800) 808-2131

Worldwideelectric.net



Document Generated: 14-Sep-2023
Document ID:

Customer:

SAMPLE NAMEPLATE DATA

		THREE PHASE SEVERE DUTY MOTOR IEEE45																						
Model :		Encl :	Type :		SN :			<table style="width: 100%; text-align: center;"> <tr><td>4</td><td>5</td><td>6</td></tr> <tr><td>7</td><td>8</td><td>9</td></tr> <tr><td>1</td><td>2</td><td>3</td></tr> <tr><td>L1</td><td>L2</td><td>L3</td></tr> <tr><td colspan="3">230 V</td></tr> </table>		4	5	6	7	8	9	1	2	3	L1	L2	L3	230 V		
4	5	6																						
7	8	9																						
1	2	3																						
L1	L2	L3																						
230 V																								
HP :	Poles :	FR:	Ins:	Duty: Cont	IP :	Max Amb 40°C																		
Hz :	CODE :		Hz :		Design :																			
Volts :	P.F :		Volts :		DE BRG :																			
Amps :	Eff :		Amps :		ODE BRG :																			
RPM :	S.F :		RPM :		WT :																			
				S.F :		Date :																		
CC306B					LOUIS ALLIS A WORLDWIDE ELECTRIC COMPANY				UL certified Class I, Division II, Groups A,B,C,D T3B															

Model:	LAM7.5-12-254TC	Encl:	TEFC	Type:	AEH3						
HP:	7.5	Poles	6	FR:	254/6TC	Ins:	F	IP:	55		
Hz:	60	CODE:	H	Hz	50	HP:	7.5	Design:	B		
Volts:	230/460	P.F:	0.78	Volts:	190/380						
Amps:	19.4/9.7	Eff:	0.91	Amps	33.4/11.7						
RPM:	1170	S.F:	1.25	RPM	970						
				S.F:	1.00						
						WT: 274.4 lbs.					