

DATA SHEET

Premium Efficiency Motor: **LAM7.5-18-213T**

60 Hz

WorldWide Electric Corporation

1 (800) 808-2131

Worldwideelectric.net



Document Generated: 8-Sep-2023
Document ID:

Customer:

MOTOR INFORMATION	
HP	7.5
RPM	1800
Phase	3
Frequency	60 Hz
Voltage	230/460
Frame Size	213/5T
Enclosure	TEFC
Degree of Protection	IP55
Service Factor	1.25
Poles	4
Full Load Speed	1750
Insulation Class	F
Temp Rise	80°C
NEMA Code Letter	H
Duty Cycle	S1 / Continuous
Slip	2.78%
NEMA Design	B
Moment of Inertia	0.716 lb.ft.^2
Locked Rotor Time (Hot)	12 seconds
Sound Pressure Level	79 dB(A)
Number of Starts	2 Cold/1 Hot
Max Ambient Temperature	40°C
Max Elevation	1000 m.a.s.l (3300 f.a.s.l)
Mounting	Rigid
Rotation	Bi-Directional
Area of Classification	Class 1 Division 2 Groups A,B,C,D T3B
Inverter Rating	10:1 CT / 20:1 VT
Standard	NEMA MG-1
Approvals	UL, CE, IEEE45, ABS

EFFICIENCY/POWER FACTOR		
LOAD	EFF	P. F.
100%	91.7 %	0.85
75%	92.3 %	0.80
50%	92.0 %	0.7

TORQUE		
FULL LOAD	LRT	BDT
21.9 lb.ft.	332 %	344 %

AMPERAGE INFORMATION		
	230V	460V
Full Load Amps	17.8A	8.9A
Locked Rotor Amps	130.2A	65.1A
No Load Current	7A	3.5A
Usable at 208V		19.7 A

BEARING INFORMATION	
DE Bearing	6308 ZZ
ODE Bearing	6306 ZZ
Grease Type	NSK SN7
DE Regreasing Interval	-- Hours
ODE Regreasing Interval	-- Hours
Grease Quantity	--

ADDITIONAL DATA	
F2 Suitable	Yes
Shaft Material	AISI 1045
Connection Diagram	9 Lead Wye
Approximate Weight	176.4 lbs.

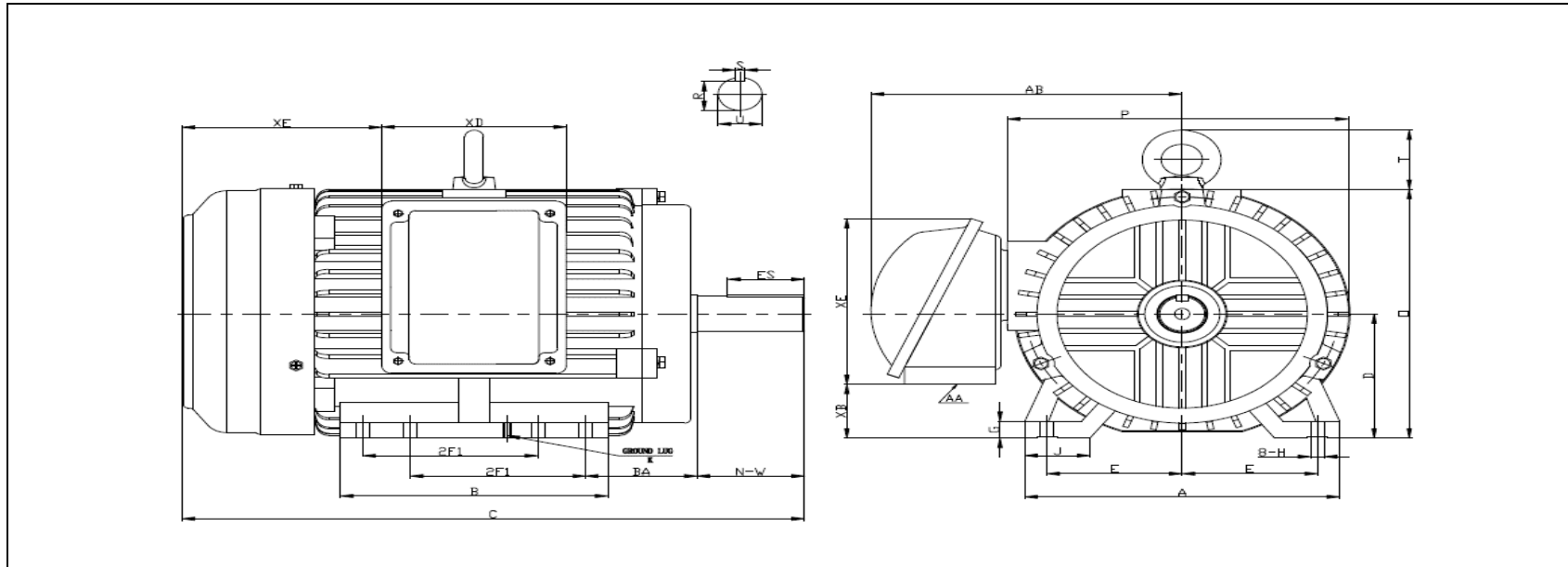
MOTOR DRAWING

Premium Efficiency Motor: **LAM7.5-18-213T**

WorldWide Electric Corporation

1 (800) 808-2131

Worldwideelectric.net



DIMENSION - INCHES

MOUNTING					A	B	C	D	G	J	P	O	T	AB
E	2F1	2F2	H	BA										
4.25	5.5	7	0.43	3.5	9.88	8.405	19.8	5.25	0.708	1.91	10.8	10.53	1.72	9.8

SHAFT & KEY				
S	ES	R	N-W	U
0.31	2.41	1.201	3.38	1.375

TERMINAL BOX				
AA	XB	XC	XD	XE
1 NPT	2.25	7.9	5.8	6.5

GROUND LUG
M5

PERFORMANCE CURVES

WorldWide Electric Corporation

1 (800) 808-2131

Worldwideelectric.net

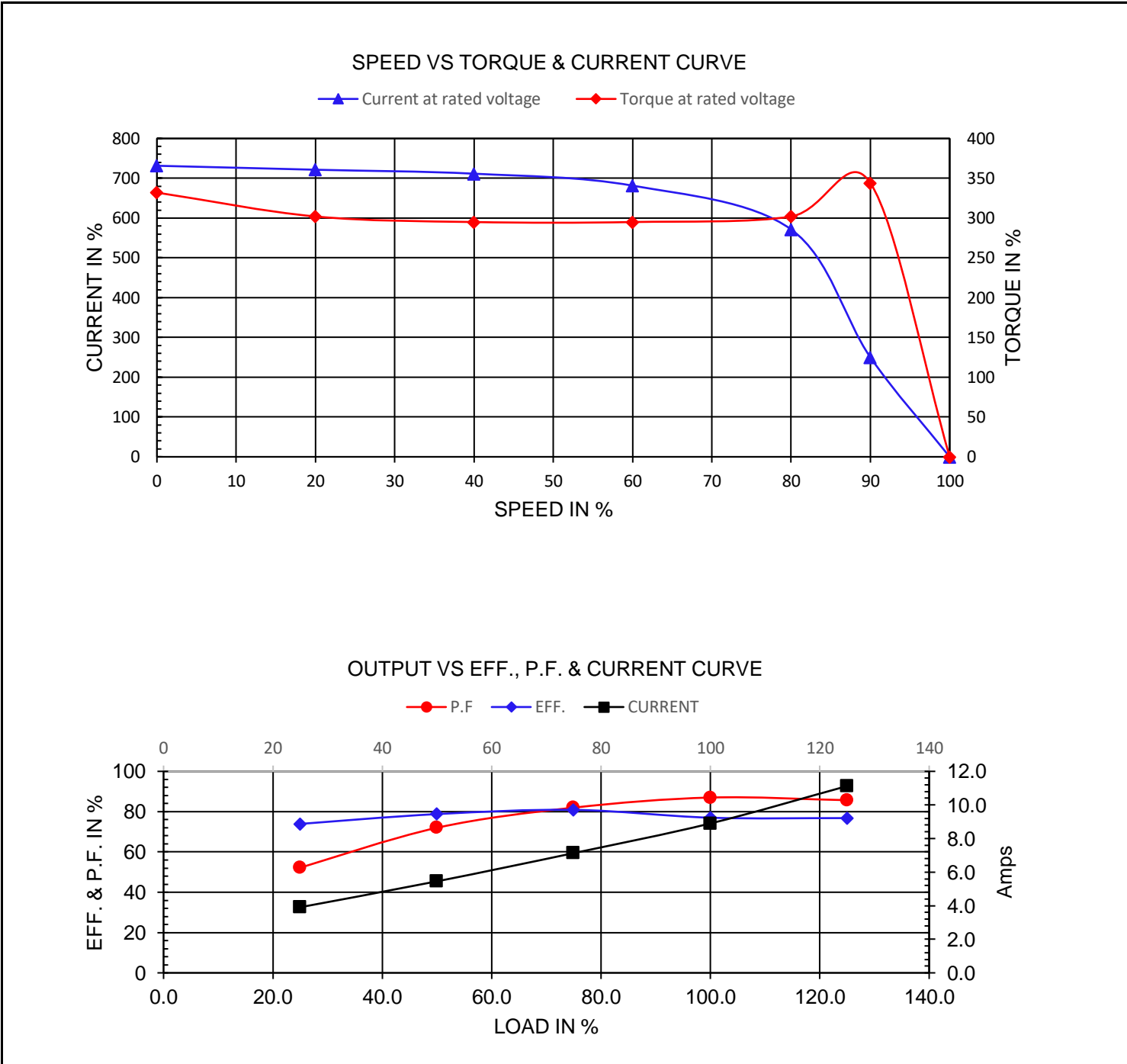


Premium Efficiency Motor:

LAM7.5-18-213T

Document Generated: 8-Sep-2023	Customer:
Document ID:	

Motor Type	AEH3		FL Speed	1750	
Output Rating (HP)	7.5		LRT (%FLT)	332	
Full Load Torque	21.9	lb.ft	460 volt FLA	8.9	
Rotor Wk ²	0.716	lb-ft ²	230 volt FLA	17.8	
			BDT (%FLT)	344	



NAMEPLATE / WIRING

Premium Efficiency Motor: **LAM7.5-18-213T**

WorldWide Electric Corporation

1 (800) 808-2131

Worldwideelectric.net



Document Generated: 8-Sep-2023
Document ID:

Customer:

SAMPLE NAMEPLATE DATA

		THREE PHASE SEVERE DUTY MOTOR I EEE45																							
Model :		Encl :	Type :		SN :			<table style="width: 100%; text-align: center;"> <tr><td>4</td><td>5</td><td>6</td></tr> <tr><td>7</td><td>8</td><td>9</td></tr> <tr><td>↓1</td><td>↓2</td><td>↓3</td></tr> <tr><td>L1</td><td>L2</td><td>L3</td></tr> <tr><td colspan="3">230 V</td></tr> </table>			4	5	6	7	8	9	↓1	↓2	↓3	L1	L2	L3	230 V		
4	5	6																							
7	8	9																							
↓1	↓2	↓3																							
L1	L2	L3																							
230 V																									
HP :	Poles :	FR :	Ins :	Duty: Cont	IP :	Max Amb 40°C		<table style="width: 100%; text-align: center;"> <tr><td>7</td><td>8</td><td>9</td></tr> <tr><td>↓4</td><td>↓5</td><td>↓6</td></tr> <tr><td>↓1</td><td>↓2</td><td>↓3</td></tr> <tr><td>L1</td><td>L2</td><td>L3</td></tr> <tr><td colspan="3">460 V</td></tr> </table>			7	8	9	↓4	↓5	↓6	↓1	↓2	↓3	L1	L2	L3	460 V		
7	8	9																							
↓4	↓5	↓6																							
↓1	↓2	↓3																							
L1	L2	L3																							
460 V																									
Hz :		CODE :	Hz :		Design :																				
Volts :		P.F :	Volts :		DE BRG :																				
Amps :		Eff :	Amps :		ODE BRG :																				
RPM :		S.F :	RPM :		WT :																				
			S.F :		Date :																				
CC306B					LOUIS ALLIS A WORLDWIDE ELECTRIC COMPANY				UL certified Class I, Division II, Groups A,B,C,D T3B																

Model:	LAM7.5-18-213T	Encl:	TEFC	Type:	AEH3	
HP:	7.5	Poles	4	FR:	213/5T	IP: 55
Hz:	60	CODE:	H	Hz	50	HP: 7.5
Volts:	230/460	P.F:	0.85	Volts:	190/380	Design: B
Amps:	17.8/8.9	Eff:	0.917	Amps	21.6/10.8	DE BRG: 6308 ZZ
RPM:	1750	S.F:	1.25	RPM	1430	ODE BRG: 6306 ZZ
				S.F:	1.00	WT: 176.4 lbs.