

DATA SHEET

Premium Efficiency Motor: **LAM7.5-36-213TC**

60 Hz

WorldWide Electric Corporation

1 (800) 808-2131

Worldwideelectric.net



Document Generated: 14-Sep-2023
Document ID:

Customer:

MOTOR INFORMATION	
HP	7.5
RPM	3600
Phase	3
Frequency	60 Hz
Voltage	230/460
Frame Size	213/5TC
Enclosure	TEFC
Degree of Protection	IP55
Service Factor	1.25
Poles	2
Full Load Speed	3490
Insulation Class	F
Temp Rise	80°C
NEMA Code Letter	G
Duty Cycle	S1 / Continuous
Slip	3.06%
NEMA Design	B
Moment of Inertia	0.413 lb.ft.^2
Locked Rotor Time (Hot)	12 seconds
Sound Pressure Level	91 dB(A)
Number of Starts	2 Cold/1 Hot
Max Ambient Temperature	40°C
Max Elevation	1000 m.a.s.l (3300 f.a.s.l)
Mounting	F1
Rotation	Bi-Directional
Area of Classification	Class 1 Division 2 Groups A,B,C,D T3B
Inverter Rating	10:1 CT / 20:1 VT
Standard	NEMA MG-1
Approvals	UL, CE, IEEE45, ABS

EFFICIENCY/POWER FACTOR		
LOAD	EFF	P. F.
100%	89.5 %	0.9
75%	90.4 %	0.88
50%	89.7 %	0.84

TORQUE		
FULL LOAD	LRT	BDT
10.99 lb.ft.	348 %	369 %

AMPERAGE INFORMATION		
	230V	460V
Full Load Amps	17.2A	8.6
Locked Rotor Amps	117.4A	58.7A
No Load Current	4A	2A
Usable at 208V		19 A

BEARING INFORMATION	
DE Bearing	6308 ZZ
ODE Bearing	6306 ZZ
Grease Type	NSK SN7
DE Regreasing Interval	-- Hours
ODE Regreasing Interval	-- Hours
Grease Quantity	--

ADDITIONAL DATA	
F2 Suitable	Yes
Shaft Material	AISI 1045
Connection Diagram	9 Lead Wye
Approximate Weight	170.9 lbs.

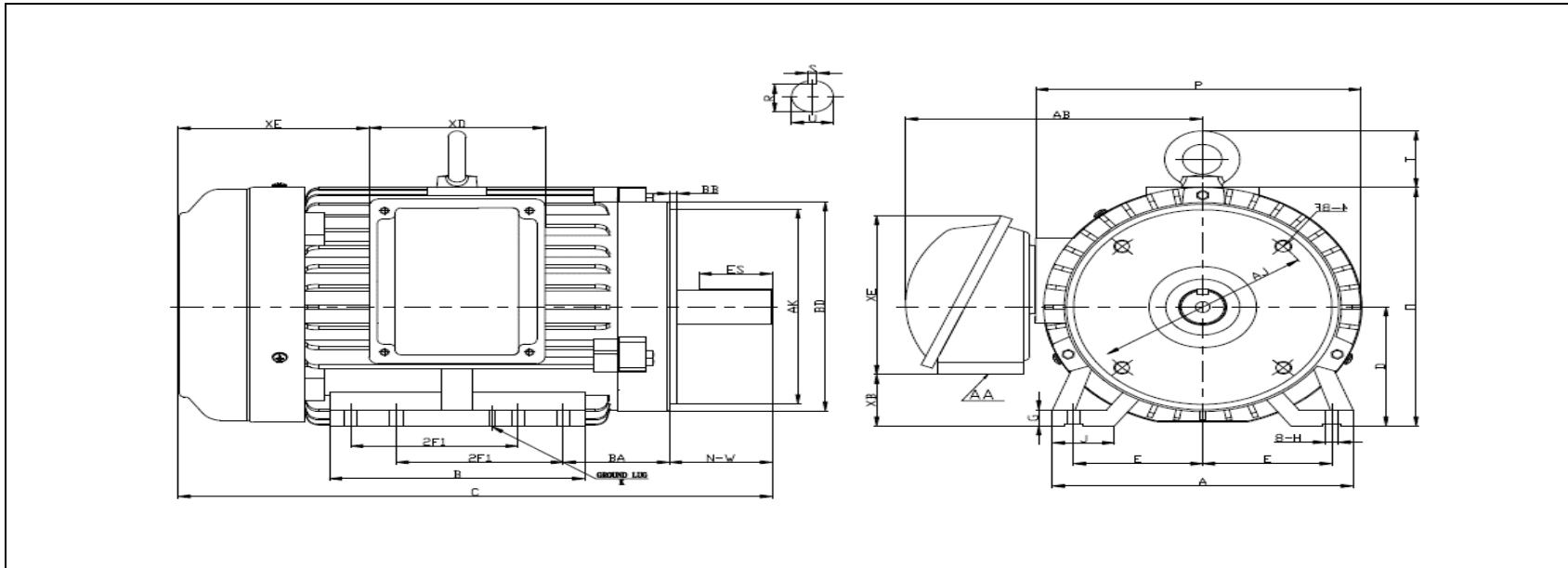
MOTOR DRAWING

Premium Efficiency Motor: **LAM7.5-36-213TC**

WorldWide Electric Corporation

1 (800) 808-2131

Worldwideelectric.net



DIMENSION - INCHES

MOUNTING					A	B	C	D	G	P	O	T	AB
E	2F1	2F2	H	BA									
4.25	5.5	7	0.43	3.5	9.88	8.405	19.5	5.25	0.708	10.8	10.53	1.72	9.8

SHAFT & KEY				
S	ES	R	N-W	U
0.31	2.41	1.201	3.38	1.375

TERMINAL BOX				
AA	XB	XC	XD	XE
1 NPT	1.63	7.9	5.8	6.5

GROUND LUG
M5

FLANGE				
AK	BD	AJ	BF	BB
8.5	9	7.25	4*1/2-13	0.25

PERFORMANCE CURVES

WorldWide Electric Corporation

1 (800) 808-2131

Worldwideelectric.net



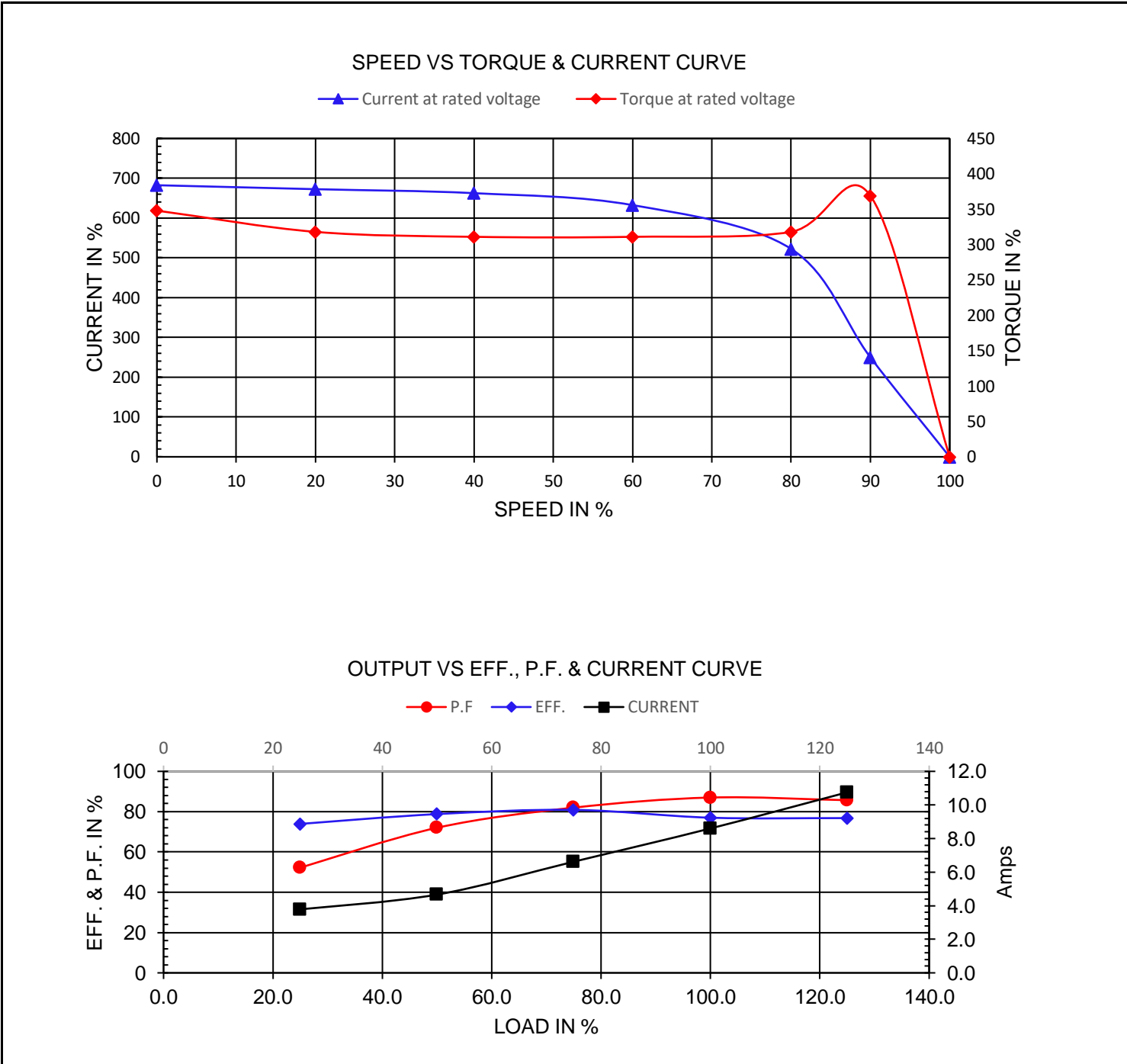
Premium Efficiency Motor:

LAM7.5-36-213TC

Document Generated: 14-Sep-2023
Document ID:

Customer:

Motor Type	LAM		FL Speed	3490	
Output Rating (HP)	7.5		LRT (%FLT)	348	
Full Load Torque	10.99 lb.ft		460 volt FLA	8.6	
Rotor Wk ²	0.413 lb-ft ²		230 volt FLA	17.2A	



NAMEPLATE / WIRING

Premium Efficiency Motor: **LAM7.5-36-213TC**

WorldWide Electric Corporation

1 (800) 808-2131

Worldwideelectric.net



Document Generated: 14-Sep-2023
Document ID:

Customer:

SAMPLE NAMEPLATE DATA

		THREE PHASE SEVERE DUTY MOTOR IEE45																																					
Model :		Encl :	Type :	SN :			<table border="1"> <tr> <td>4</td> <td>5</td> <td>6</td> </tr> <tr> <td>7</td> <td>8</td> <td>9</td> </tr> <tr> <td>1</td> <td>2</td> <td>3</td> </tr> <tr> <td>L1</td> <td>L2</td> <td>L3</td> </tr> <tr> <td colspan="3" style="text-align: center;">230 V</td> </tr> <tr> <td>7</td> <td>8</td> <td>9</td> </tr> <tr> <td>4</td> <td>5</td> <td>6</td> </tr> <tr> <td>1</td> <td>2</td> <td>3</td> </tr> <tr> <td>L1</td> <td>L2</td> <td>L3</td> </tr> <tr> <td colspan="3" style="text-align: center;">460 V</td> </tr> </table>			4	5	6	7	8	9	1	2	3	L1	L2	L3	230 V			7	8	9	4	5	6	1	2	3	L1	L2	L3	460 V		
4	5	6																																					
7	8	9																																					
1	2	3																																					
L1	L2	L3																																					
230 V																																							
7	8	9																																					
4	5	6																																					
1	2	3																																					
L1	L2	L3																																					
460 V																																							
HP :	Poles :	FR :	Ins :	Duty: Cont	IP :	Max Amb 40°C																																	
Hz :	CODE :	Hz :	Design :																																				
Volts :	P.F. :	Volts :	DE BRG :																																				
Amps :	Eff :	Amps :	ODE BRG :																																				
RPM :	S.F. :	RPM :	WT :																																				
		S.F. :	Date :																																				
CC306B					LOUIS ALLIS A WORLDWIDE ELECTRIC COMPANY		170																																
UL certified Class I, Division II, Groups A,B,C,D T3B																																							

Model:	LAM7.5-36-213TC	Encl:	TEFC	Type:	AEH3	
HP:	7.5	Poles	2	FR:	213/5TC	Ins: F
Hz:	60	CODE:	G	Hz	50	HP: 7.5
Volts:	230/460	P.F.:	0.9	Volts:	190/380	Design: B
Amps:	17.2/8.6	Eff:	0.895	Amps	21.2/10.6	DE BRG: 6308 ZZ
RPM:	3490	S.F.:	1.25	RPM	2850	ODE BRG: 6306 ZZ
				S.F.:	1.00	WT: 170.9 lbs.