

# DATA SHEET

Premium Efficiency Motor: **LAM75-12-405TC**

**60 Hz**

WorldWide Electric Corporation

1 (800) 808-2131

Worldwideelectric.net



Document Generated: 14-Sep-2023  
Document ID:

Customer:

MOTOR INFORMATION	
HP	75
RPM	1200
Phase	3
Frequency	60Hz
Voltage	230/460
Frame Size	404/5TC
Enclosure	TEFC
Degree of Protection	IP55
Service Factor	1.25
Poles	6
Full Load Speed	1180
Insulation Class	F
Temp Rise	80°C
NEMA Code Letter	G
Duty Cycle	S1 / Continuous
Slip	1.67%
NEMA Design	B
Moment of Inertia	33.052 lb.ft.^2
Locked Rotor Time (Hot)	12 seconds
Sound Pressure Level	90 dB(A)
Number of Starts	2 Cold/1 Hot
Max Ambient Temperature	40°C
Max Elevation	1000 m.a.s.l (3300 f.a.s.l)
Mounting	F1
Rotation	Bi-Directional
Area of Classification	Class 1 Division 2 Groups A,B,C,D T3B
Inverter Rating	10:1 CT / 20:1 VT
Standard	NEMA MG-1
Approvals	UL, CE, IEEE45, ABS

EFFICIENCY/POWER FACTOR		
LOAD	EFF	P. F.
100%	94.5 %	0.87
75%	95.1 %	0.86
50%	95.0 %	0.8

TORQUE		
FULL LOAD	LRT	BDT
326.9 lb.ft.	275 %	302 %

AMPERAGE INFORMATION		
	230V	460V
Full Load Amps	167.4A	83.7
Locked Rotor Amps	1176.4A	588.2A
No Load Current	44A	22A
Usable at 208V	185.1 A	

BEARING INFORMATION	
DE Bearing	6316 C3
ODE Bearing	6313 C3
Grease Type	Mobil Polyrex EM
DE Regreasing Interval	2400 Hours
ODE Regreasing Interval	3600 Hours
Grease Quantity	33g/23g

ADDITIONAL DATA	
F2 Suitable	Yes
Shaft Material	AISI 1045
Connection Diagram	12 Lead Delta
Approximate Weight	1150 lbs.

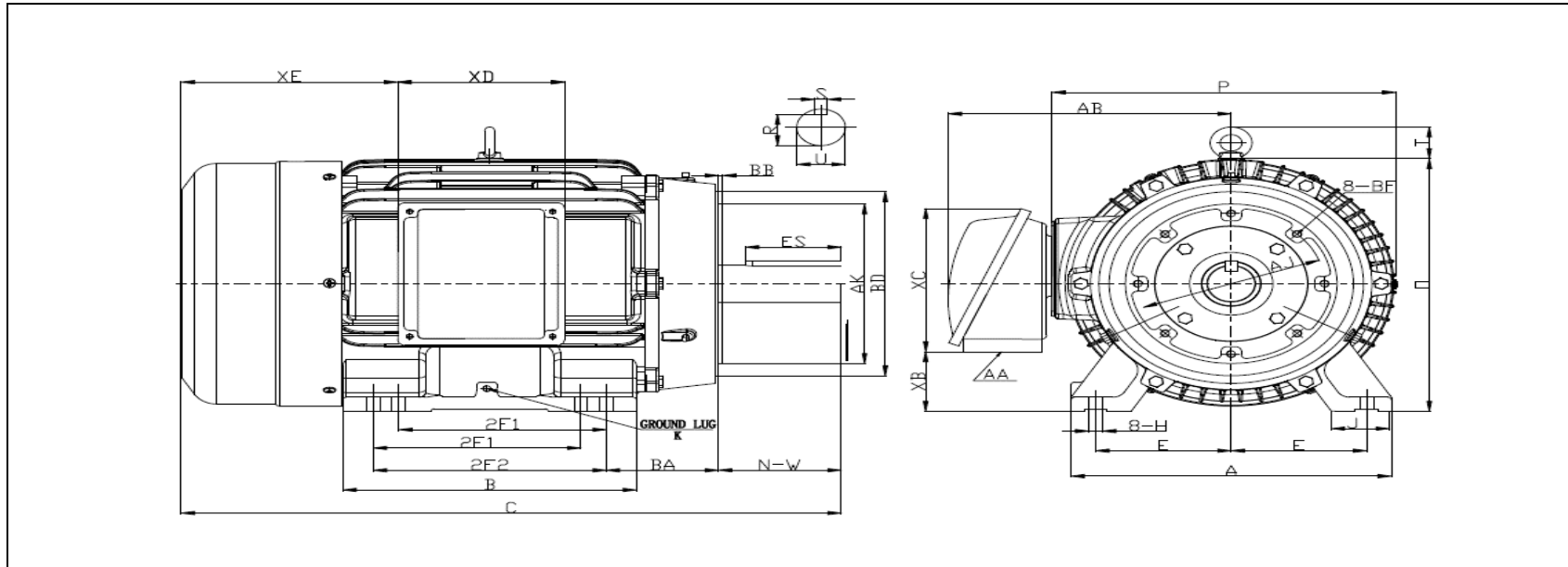
# MOTOR DRAWING

Premium Efficiency Motor: **LAM75-12-405TC**

WorldWide Electric Corporation

1 (800) 808-2131

Worldwideelectric.net



## DIMENSION - INCHES

MOUNTING					A	B	C	D	G	P	O	T	AB
E	2F1	2F2	H	BA									
8	12.25	13.75	0.81	6.62	18.89	17.32	40.75	10	1.181	20.27	20.67	2.81	18.215

SHAFT & KEY				
S	ES	R	N-W	U
0.75	5.65	2.45	7.25	2.875

TERMINAL BOX				
AA	XB	XC	XD	XE
3 NPT	5.29	11.27	9.17	12.32

GROUND LUG
M12

FLANGE				
AK	BD	AJ	BF	BB
12.5	15.5	11	8*5/8-11	0.25

# PERFORMANCE CURVES

WorldWide Electric Corporation

1 (800) 808-2131

Worldwideelectric.net

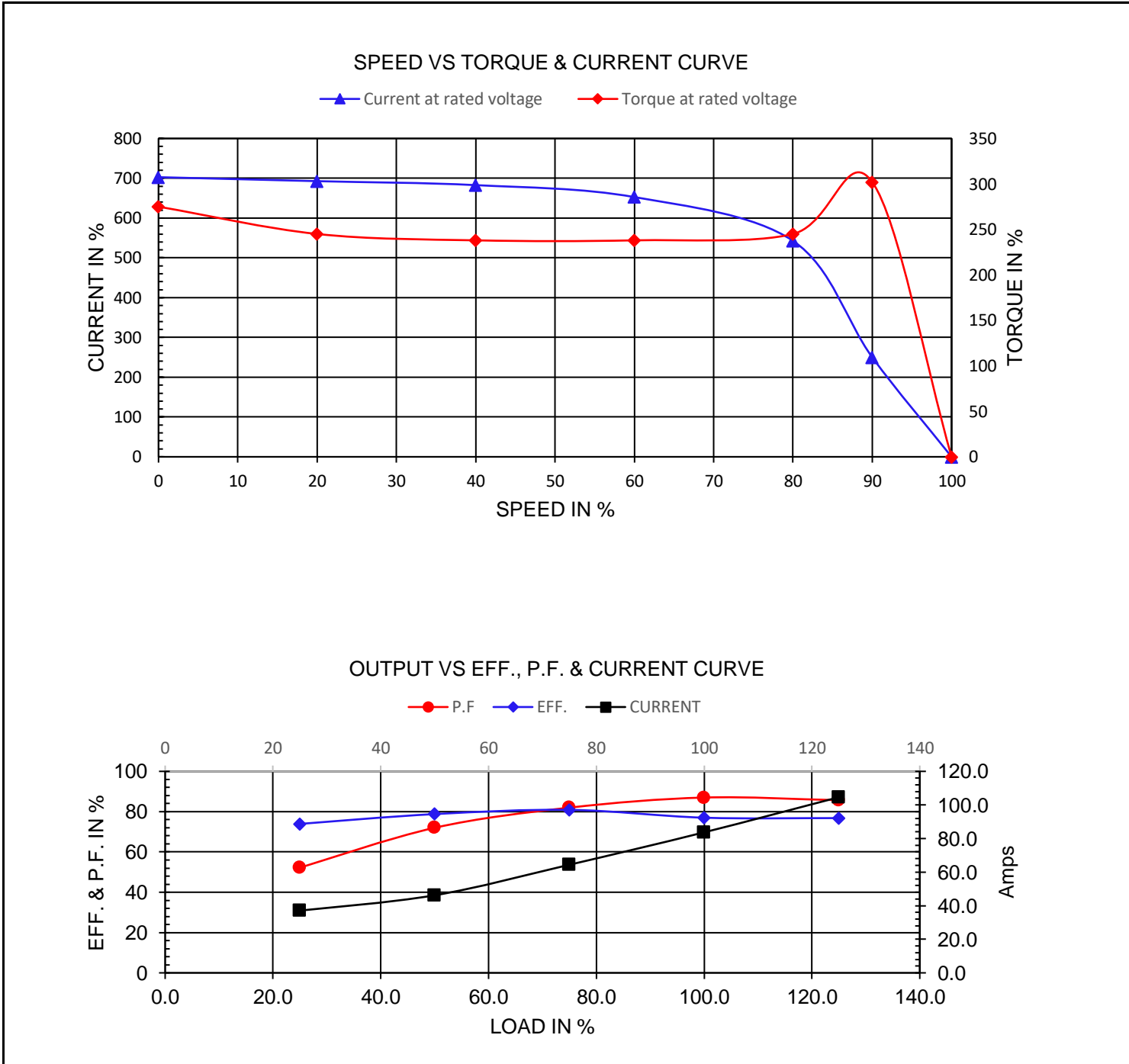


Premium Efficiency Motor:

**LAM75-12-405TC**

Document Generated: 14-Sep-2023	Customer:
Document ID:	

Motor Type	LAM		FL Speed	1180	
Output Rating (HP)	75		LRT (%FLT)	275	
Full Load Torque	326.9 lb.ft		460 volt FLA	83.7	
Rotor Wk <sup>2</sup>	33.052 lb-ft <sup>2</sup>		230 volt FLA	167.4A	



# NAMEPLATE / WIRING

Premium Efficiency Motor: **LAM75-12-405TC**

WorldWide Electric Corporation

1 (800) 808-2131

Worldwideelectric.net



Document Generated: 14-Sep-2023  
Document ID:

Customer:

## SAMPLE NAMEPLATE DATA

		<b>THREE PHASE SEVERE DUTY MOTOR IEEE45</b>																																											
Model :		Encl :	Type :	SN :				<table border="1"> <tr><td>7</td><td>8</td><td>9</td></tr> <tr><td>6</td><td>4</td><td>5</td></tr> <tr><td>12</td><td>10</td><td>11</td></tr> <tr><td>1</td><td>2</td><td>3</td></tr> <tr><td>L1</td><td>L2</td><td>L3</td></tr> <tr><td colspan="3" style="text-align: center;">230 V</td></tr> <tr><td>7</td><td>8</td><td>9</td></tr> <tr><td>4</td><td>5</td><td>6</td></tr> <tr><td>12</td><td>10</td><td>11</td></tr> <tr><td>1</td><td>2</td><td>3</td></tr> <tr><td>L1</td><td>L2</td><td>L3</td></tr> <tr><td colspan="3" style="text-align: center;">460 V</td></tr> </table>		7	8	9	6	4	5	12	10	11	1	2	3	L1	L2	L3	230 V			7	8	9	4	5	6	12	10	11	1	2	3	L1	L2	L3	460 V		
7	8	9																																											
6	4	5																																											
12	10	11																																											
1	2	3																																											
L1	L2	L3																																											
230 V																																													
7	8	9																																											
4	5	6																																											
12	10	11																																											
1	2	3																																											
L1	L2	L3																																											
460 V																																													
HP :	Poles :	FR:	Ins:	Duty: Cont	IP :	Max Amb 40°C																																							
Hz :	CODE :		Hz :	HP :	Design :																																								
Volts :	P.F :		Volts :	DE BRG :																																									
Amps :	Eff :		Amps :	ODE BRG :																																									
RPM :	S.F :		RPM :	WT :																																									
			S.F :	Date :																																									
CC306B					LOUIS ALLIS A WORLDWIDE ELECTRIC COMPANY				UL certified Class I, Division II, Groups A,B,C,D T3B																																				

<b>Model:</b>	LAM75-12-405TC	<b>Encl:</b>	TEFC	<b>Type:</b>	AEH3				
<b>HP:</b>	75	<b>Poles</b>	6	<b>FR:</b>	404/5TC	<b>Ins:</b>	F	<b>IP:</b>	55
<b>Hz:</b>	60	<b>CODE:</b>	G	<b>Hz</b>	50	<b>HP:</b>	75	<b>Design:</b>	B
<b>Volts:</b>	230/460	<b>P.F:</b>	0.87	<b>Volts:</b>	190/380				
<b>Amps:</b>	167.4/83.7	<b>Eff:</b>	0.945	<b>Amps</b>	206.0/103.0				
<b>RPM:</b>	1180	<b>S.F:</b>	1.25	<b>RPM</b>	975				
			<b>S.F:</b>	1.00			<b>WT:</b>	1150 lbs.	