

# DATA SHEET

Premium Efficiency Motor: **LAM75-18-365TC**

**60 Hz**

WorldWide Electric Corporation

1 (800) 808-2131

Worldwideelectric.net



Document Generated: 14-Sep-2023  
Document ID:

Customer:

MOTOR INFORMATION	
HP	75
RPM	1800
Phase	3
Frequency	60 Hz
Voltage	230/460
Frame Size	364/5TC
Enclosure	TEFC
Degree of Protection	IP55
Service Factor	1.25
Poles	4
Full Load Speed	1785
Insulation Class	F
Temp Rise	80°C
NEMA Code Letter	G
Duty Cycle	S1 / Continuous
Slip	0.83%
NEMA Design	B
Moment of Inertia	15.869 lb.ft.^2
Locked Rotor Time (Hot)	12 seconds
Sound Pressure Level	95 dB(A)
Number of Starts	2 Cold/1 Hot
Max Ambient Temperature	40°C
Max Elevation	1000 m.a.s.l (3300 f.a.s.l)
Mounting	F1
Rotation	Bi-Directional
Area of Classification	Class 1 Division 2 Groups A,B,C,D T3B
Inverter Rating	10:1 CT / 20:1 VT
Standard	NEMA MG-1
Approvals	UL, CE, IEEE45, ABS

EFFICIENCY/POWER FACTOR		
LOAD	EFF	P. F.
100%	95.4 %	0.84
75%	95.8 %	0.81
50%	95.4 %	0.71

TORQUE		
FULL LOAD	LRT	BDT
217.1 lb.ft.	255 %	305 %

AMPERAGE INFORMATION		
	230V	460V
Full Load Amps	171.6A	85.8
Locked Rotor Amps	1138.2A	569.1A
No Load Current	64.4A	32.2A
Usable at 208V	189.5 A	

BEARING INFORMATION	
DE Bearing	6316 C3
ODE Bearing	6313 C3
Grease Type	Mobil Polyrex EM
DE Regreasing Interval	2400 Hours
ODE Regreasing Interval	3600 Hours
Grease Quantity	33g/23g

ADDITIONAL DATA	
F2 Suitable	Yes
Shaft Material	AISI 1045
Connection Diagram	12 Lead Delta
Approximate Weight	958 lbs.

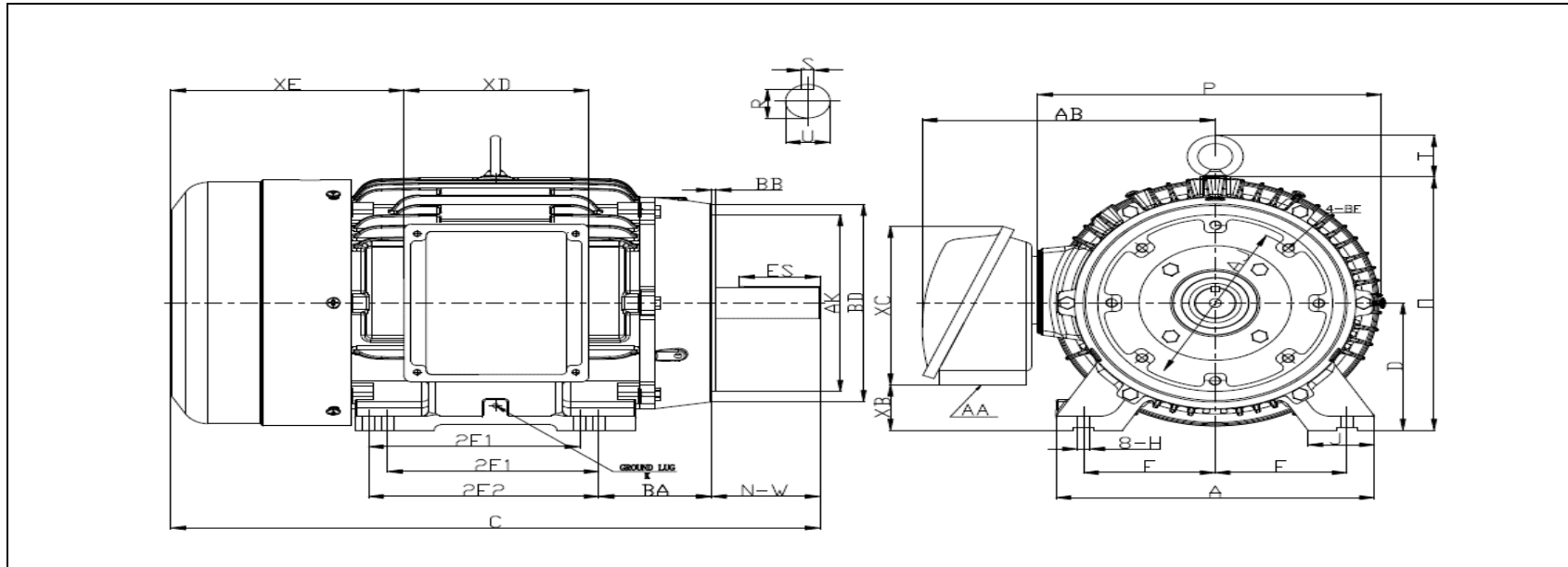
# MOTOR DRAWING

Premium Efficiency Motor: **LAM75-18-365TC**

WorldWide Electric Corporation

1 (800) 808-2131

Worldwideelectric.net



## DIMENSION - INCHES

MOUNTING					A	B	C	D	G	P	O	T	AB
E	2F1	2F2	H	BA									
7	11.25	12.25	0.66	5.88	17.72	15.4	33.52	9	1.181	18.41	20	2.81	16.53

SHAFT & KEY				
S	ES	R	N-W	U
0.625	4.28	2.021	5.88	2.375

TERMINAL BOX				
AA	XB	XC	XD	XE
3 NPT	4.29	11.27	9.17	12.4

GROUND LUG
M10

FLANGE				
AK	BD	AJ	BF	BB
12.5	14	11	8*5/8-11	0.25

# PERFORMANCE CURVES

Premium Efficiency Motor:

**LAM75-18-365TC**

WorldWide Electric Corporation

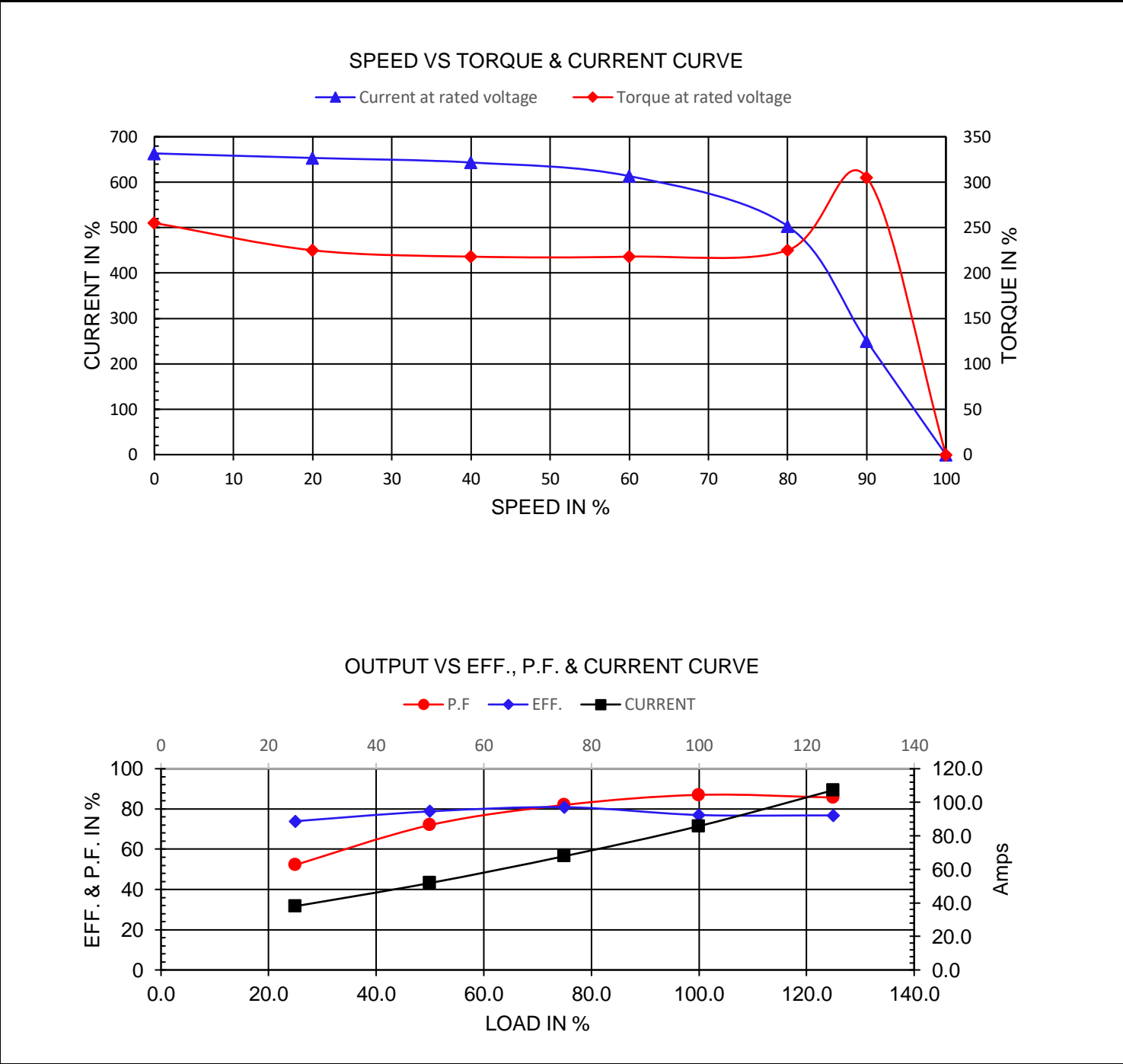
1 (800) 808-2131

Worldwideelectric.net



Document Generated: 14-Sep-2023	Customer:
Document ID:	

Motor Type	LAM		FL Speed	1785	
Output Rating (HP)	75		LRT (%FLT)	255	
Full Load Torque	217.1	lb.ft	460 volt FLA	85.8	
Rotor Wk^2	15.869	lb-ft^2	230 volt FLA	171.6A	
			BDT (%FLT)	305	



# NAMEPLATE / WIRING

Premium Efficiency Motor: **LAM75-18-365TC**

WorldWide Electric Corporation

1 (800) 808-2131

Worldwideelectric.net



Document Generated: 14-Sep-2023  
Document ID:

Customer:

## SAMPLE NAMEPLATE DATA

		<b>THREE PHASE SEVERE DUTY MOTOR I EEE45</b>																																											
Model :		Encl :	Type :	SN :		<table style="border: none;"> <tr> <td style="border: none;">7</td> <td style="border: none;">8</td> <td style="border: none;">9</td> </tr> <tr> <td style="border: none;">6</td> <td style="border: none;">4</td> <td style="border: none;">5</td> </tr> <tr> <td style="border: none;">12</td> <td style="border: none;">10</td> <td style="border: none;">11</td> </tr> <tr> <td style="border: none;">1</td> <td style="border: none;">2</td> <td style="border: none;">3</td> </tr> <tr> <td style="border: none;">L1</td> <td style="border: none;">L2</td> <td style="border: none;">L3</td> </tr> <tr> <td colspan="3" style="text-align: center;">230 V</td> </tr> </table>		7	8	9	6	4	5	12	10	11	1	2	3	L1	L2	L3	230 V			<table style="border: none;"> <tr> <td style="border: none;">7</td> <td style="border: none;">8</td> <td style="border: none;">9</td> </tr> <tr> <td style="border: none;">4</td> <td style="border: none;">5</td> <td style="border: none;">6</td> </tr> <tr> <td style="border: none;">12</td> <td style="border: none;">10</td> <td style="border: none;">11</td> </tr> <tr> <td style="border: none;">1</td> <td style="border: none;">2</td> <td style="border: none;">3</td> </tr> <tr> <td style="border: none;">L1</td> <td style="border: none;">L2</td> <td style="border: none;">L3</td> </tr> <tr> <td colspan="3" style="text-align: center;">460 V</td> </tr> </table>		7	8	9	4	5	6	12	10	11	1	2	3	L1	L2	L3	460 V		
7	8	9																																											
6	4	5																																											
12	10	11																																											
1	2	3																																											
L1	L2	L3																																											
230 V																																													
7	8	9																																											
4	5	6																																											
12	10	11																																											
1	2	3																																											
L1	L2	L3																																											
460 V																																													
HP :	Poles :	FR:	Ins:	Duty: Cont	IP :	Max Amb 40°C																																							
Hz :	CODE :		Hz :	HP :	Design :																																								
Volts :	P.F :		Volts :	DE BRG :																																									
Amps :	Eff :		Amps :	ODE BRG :																																									
RPM :	S.F :		RPM :	WT :																																									
			S.F :	Date :																																									
CC306B		<b>LOUIS ALLIS</b> A WORLDWIDE ELECTRIC COMPANY					UL certified Class I, Division II, Groups A,B,C,D T3B																																						

<b>Model:</b>	LAM75-18-365TC	<b>Encl:</b>	TEFC	<b>Type:</b>	AEH3		
<b>HP:</b>	75	<b>Poles</b>	4	<b>FR:</b>	364/5TC	<b>Ins:</b>	F
<b>Hz:</b>	60	<b>CODE:</b>	G	<b>Hz</b>	50	<b>HP:</b>	75
<b>Volts:</b>	230/460	<b>P.F:</b>	0.84	<b>Volts:</b>	190/380	<b>Design:</b>	B
<b>Amps:</b>	171.6/85.8	<b>Eff:</b>	0.954	<b>Amps</b>	206.0/103.0	<b>DE BRG:</b>	6316 C3
<b>RPM:</b>	1785	<b>S.F:</b>	1.25	<b>RPM</b>	1475	<b>ODE BRG:</b>	6313 C3
				<b>S.F:</b>	1.00	<b>WT:</b>	958 lbs.