

DATA SHEET

Premium Efficiency Motor: **LAM75-18-365TCRD**

60 Hz

WorldWide Electric Corporation

1 (800) 808-2131

Worldwideelectric.net



Document Generated: 14-Sep-2023
Document ID:

Customer:

MOTOR INFORMATION	
HP	75
RPM	1800
Phase	3
Frequency	60 Hz
Voltage	230/460
Frame Size	364/5TC
Enclosure	TEFC
Degree of Protection	IP55
Service Factor	1.25
Poles	4
Full Load Speed	1785
Insulation Class	F
Temp Rise	80°C
NEMA Code Letter	G
Duty Cycle	S1 / Continuous
Slip	0.83%
NEMA Design	B
Moment of Inertia	15.869 lb.ft.^2
Locked Rotor Time (Hot)	12 seconds
Sound Pressure Level	95 dB(A)
Number of Starts	2 Cold/1 Hot
Max Ambient Temperature	40°C
Max Elevation	1000 m.a.s.l (3300 f.a.s.l)
Mounting	F1
Rotation	Bi-Directional
Area of Classification	Class 1 Division 2 Groups A,B,C,D T3B
Inverter Rating	10:1 CT / 20:1 VT
Standard	NEMA MG-1
Approvals	UL, CE, IEEE45, ABS

EFFICIENCY/POWER FACTOR		
LOAD	EFF	P. F.
100%	95.4 %	0.84
75%	95.8 %	0.81
50%	95.4 %	0.71

TORQUE		
FULL LOAD	LRT	BDT
217.1 lb.ft.	255 %	305 %

AMPERAGE INFORMATION		
	230V	460V
Full Load Amps	171.6A	85.8
Locked Rotor Amps	1138.2A	569.1A
No Load Current	64.4A	32.2A
Usable at 208V		189.5 A

BEARING INFORMATION	
DE Bearing	6316 C3
ODE Bearing	6313 C3
Grease Type	Mobil Polyrex EM
DE Regreasing Interval	2400 Hours
ODE Regreasing Interval	3600 Hours
Grease Quantity	33g/23g

ADDITIONAL DATA	
F2 Suitable	Yes
Shaft Material	AISI 1045
Connection Diagram	12 Lead Delta
Approximate Weight	958 lbs.

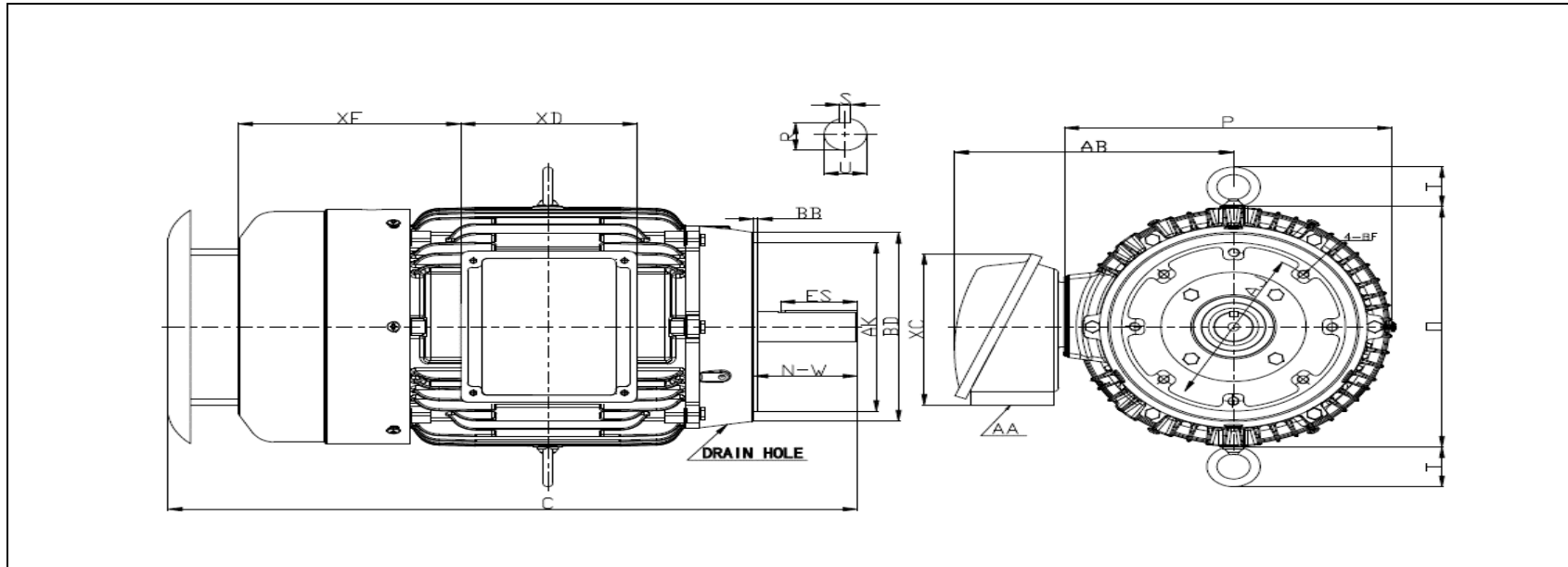
MOTOR DRAWING

Premium Efficiency Motor: **LAM75-18-365TCRD**

WorldWide Electric Corporation

1 (800) 808-2131

Worldwideelectric.net



DIMENSION - INCHES

FLANGE MOUNTING					C	P	O	T	AB
AK	BD	AJ	BF	BB					
12.5	14	11	8*5/8-11	0.25	38.5	18.41	20	2.81	16.53

SHAFT & KEY				
S	ES	R	N-W	U
0.625	4.28	2.021	5.88	2.375

TERMINAL BOX			
AA	XC	XD	XE
3 NPT	11.27	9.17	12.4

PERFORMANCE CURVES

Premium Efficiency Motor:

LAM75-18-365TCRD

WorldWide Electric Corporation

1 (800) 808-2131

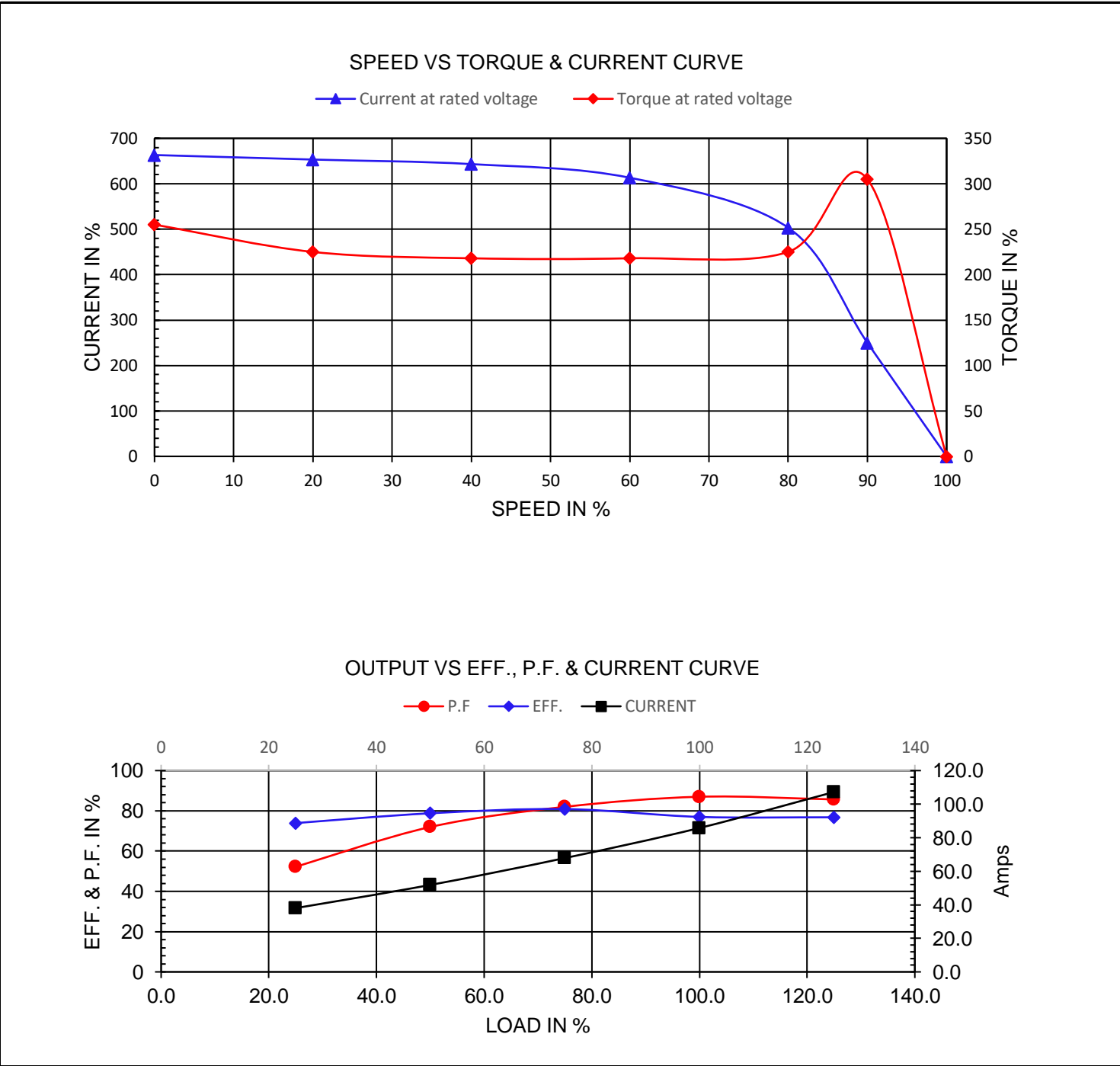
Worldwideelectric.net



Document Generated: 14-Sep-2023
Document ID:

Customer:

Motor Type	LAM		FL Speed	1785	
Output Rating (HP)	75		LRT (%FLT)	255	460 volt FLA 85.8
Full Load Torque	217.1	lb.ft	BDT (%FLT)	305	230 volt FLA 171.6A
Rotor Wk^2	15.869	lb-ft^2			



NAMEPLATE / WIRING

Premium Efficiency Motor: **LAM75-18-365TCRD**

WorldWide Electric Corporation

1 (800) 808-2131

Worldwideelectric.net



Document Generated: 14-Sep-2023
Document ID:

Customer:

SAMPLE NAMEPLATE DATA

		THREE PHASE SEVERE DUTY MOTOR IEEE45																																											
Model :		Encl :	Type :	SN :				<table style="border: none;"> <tr><td>7</td><td>8</td><td>9</td></tr> <tr><td>6</td><td>4</td><td>5</td></tr> <tr><td>12</td><td>10</td><td>11</td></tr> <tr><td>1</td><td>2</td><td>3</td></tr> <tr><td>L1</td><td>L2</td><td>L3</td></tr> <tr><td colspan="3" style="text-align: center;">230 V</td></tr> <tr><td>7</td><td>8</td><td>9</td></tr> <tr><td>4</td><td>5</td><td>6</td></tr> <tr><td>12</td><td>10</td><td>11</td></tr> <tr><td>1</td><td>2</td><td>3</td></tr> <tr><td>L1</td><td>L2</td><td>L3</td></tr> <tr><td colspan="3" style="text-align: center;">460 V</td></tr> </table>		7	8	9	6	4	5	12	10	11	1	2	3	L1	L2	L3	230 V			7	8	9	4	5	6	12	10	11	1	2	3	L1	L2	L3	460 V		
7	8	9																																											
6	4	5																																											
12	10	11																																											
1	2	3																																											
L1	L2	L3																																											
230 V																																													
7	8	9																																											
4	5	6																																											
12	10	11																																											
1	2	3																																											
L1	L2	L3																																											
460 V																																													
HP :	Poles :	FR:	Ins:	Duty: Cont	IP :	Max Amb 40°C																																							
Hz :	CODE :		Hz :	HP :	Design :																																								
Volts :	P.F :		Volts :	DE BRG :																																									
Amps :	Eff :		Amps :	ODE BRG :																																									
RPM :	S.F :		RPM :	WT :																																									
			S.F :	Date :																																									
CC306B					LOUIS ALLIS A WORLDWIDE ELECTRIC COMPANY				UL certified Class I, Division II, Groups A,B,C,D T3B																																				

Model:	LAM75-18-365TCRD	Encl:	TEFC	Type:	AEH3				
HP:	75	Poles	4	FR:	364/5TC	Ins:	F	IP:	55
Hz:	60	CODE:	G	Hz	50	HP:	75	Design:	B
Volts:	230/460	P.F:	0.84	Volts:	190/380				
Amps:	171.6/85.8	Eff:	0.954	Amps	206.0/103.0				
RPM:	1785	S.F:	1.25	RPM	1475				
				S.F:	1.00				
						WT: 958 lbs.			