

DATA SHEET

Premium Efficiency Motor: **NAT12-18-56**

60 Hz

WorldWide Electric Corporation

1 (800) 808-2131

Worldwideelectric.net



Document Generated: 27-Feb-2023

Document ID:

Customer:

MOTOR INFORMATION

HP	1/2
RPM	1800
Phase	3
Frequency	60 Hz
Voltage	230/460
Frame Size	56
Enclosure	TEFC
Degree of Protection	IP43
Service Factor	1.15
Poles	4
Full Load Speed	1725
Insulation Class	F
Temp Rise	80°C
NEMA Code Letter	M
Duty Cycle	S1 / Continuous
Slip	0.04%
NEMA Design	B
Moment of Inertia	0.0381 lb.ft.^2
Sound Pressure Level	68 dB(A)
Max Ambient Temperature	40°C
Max Elevation	1000 m.a.s.l (3300 f.a.s.l)
Mounting	F1
Base	Rigid
Rotation	Bi-Directional
Standard	NEMA MG-1
Approvals	CSA, CE

EFFICIENCY/POWER FACTOR

LOAD	EFF	P. F.
100%	70.7 %	71.9
75%	69.4 %	62.3
50%	64.6 %	49.2

TORQUE

FULL LOAD	LRT	BDT
1.51 lb.ft.	250 %	325 %

AMPERAGE INFORMATION

	230V	460V
Full Load Amps	1.9	0.95
Locked Rotor Amps	10.16	5.08
No Load Current	1.36	0.68
Usable at 208V	--	

BEARING INFORMATION

DE Bearing	6203 2RS
ODE Bearing	6203 2RS

ADDITIONAL DATA

F2 Suitable	No
Shaft Material	1045 Carbon Steel
Connection Diagram	230 / 460 V - 9 Lead Y
Approximate Weight	17.8 lbs.

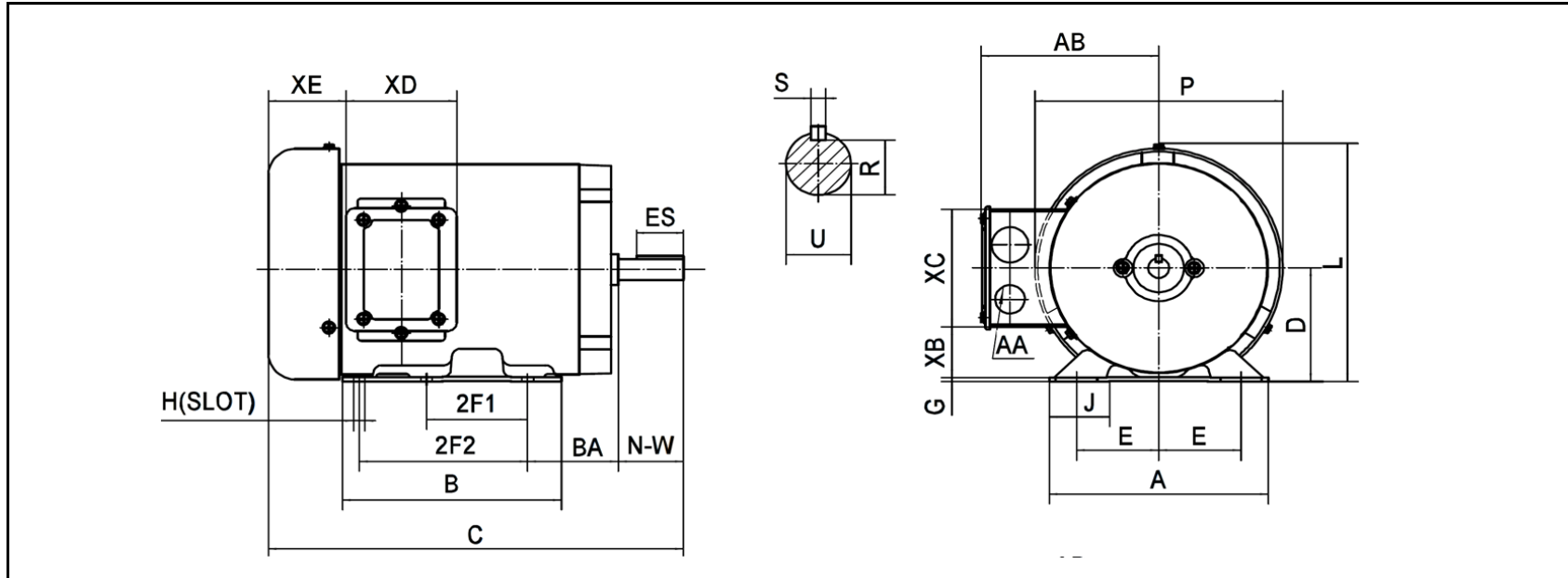
MOTOR DRAWING

Premium Efficiency Motor: **NAT12-18-56**

WorldWide Electric Corporation

1 (800) 808-2131

Worldwideelectric.net



DIMENSION - INCHES

MOUNTING					A	B	C	D	G	J	L	P	AB
E	2F1	2F2	H	BA									
2.44	3	5	0.34	2.75	6.54	6.54	11.9	3.5	0.1	1.65	7.4	7.3	5.2

SHAFT & KEY				
S	ES	R	N-W	U
0.188	1.41	0.517	1.88	0.625

TERMINAL BOX				
AA	XB	XC	XD	XE
3-0.88/2-1.109	1.65	3.7	3.2	2.15

PERFORMANCE CURVES

WorldWide Electric Corporation

1 (800) 808-2131

Worldwideelectric.net



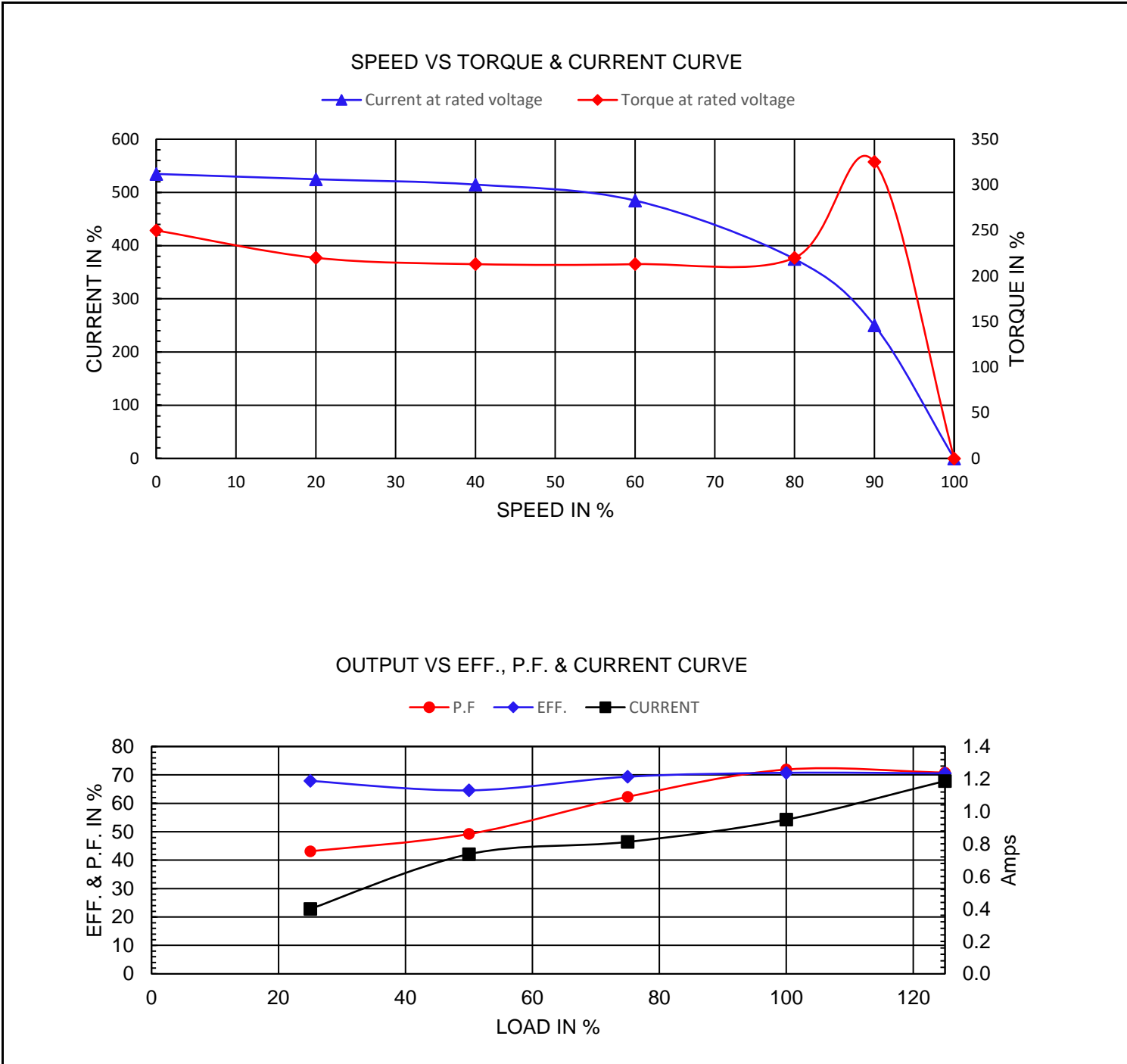
Premium Efficiency Motor:

NAT12-18-56

Document Generated: 27-Feb-2023
Document ID:

Customer:

Motor Type					
Output Rating (HP)	1/2		FL Speed	1725	
Full Load Torque	1.51 lb.ft		LRT (%FLT)	250	460 volt FLA 0.95
Rotor Wk ²	0.0381 lb-ft ²		BDT (%FLT)	325	230 volt FLA 1.9



NAMEPLATE / WIRING

Premium Efficiency Motor: **NAT12-18-56**

WorldWide Electric Corporation

1 (800) 808-2131

Worldwideelectric.net



Document Generated: 27-Feb-2023
Document ID:

Customer:

SAMPLE NAMEPLATE DATA

THREE PHASE INDUCTION MOTOR			
MODEL	FRAME	LOW VOLTAGE	HIGH VOLTAGE
Hz	ENCL. TEFC	BLUE (T1) — LINE1	BLUE (T1) — LINE1
HP	PH 3	BROWN (T7) — LINE1	WHITE (T2) — LINE2
RPM	DUTY CONT	WHITE (T2) — LINE2	ORANGE (T3) — LINE3
VOLTS	CODE	RED (T8) — LINE2	YELLOW (T4) — INS
AMPS	INS. F	ORANGE (T3) — LINE3	BROWN (T7) — INS
	DES.	YEL/BLA (T9) — LINE3	BLACK (T5) — INS
S. F.	LB/WT	YELLOW (T4) — INS	RED (T8) — INS
		BLACK (T5) — INS	GRAY (T6) — INS
		GRAY (T6) — INS	YEL/BLA (T9) — INS
NOM. EFF (60Hz)	DE/ODE BRG.	ACCEPTABLE FOR FIELD WIRING	
MAX. AMB. 40°C	Date Code XX/XXXX	THERMALLY PROTECTED : NONE	
SERIAL NO. XXXXXXXXXX		WorldWide Electric Corporation	

MADE IN CHINA

Model	NAT12-18-56	Frame	56
Hz	60 Hz 50Hz	Encl	TEFC
HP	1/2 1/3	PH	3
RPM	1725 1425	DUTY	CONT
Voltage	230/460 190/380	Code	M
Amps	1.9/0.95 1.7/0.85	Ins Cl	F
IP	IP43	Design	B
S.F.	1.15 1.00	LB/WT	17.8 lbs.
Nom.Eff.	70.7%	DE Brng	6203 2RS
		ODE Brng	6203 2RS