

# DATA SHEET

Premium Efficiency Motor: **NT2-18-56CB**

**60 Hz**

WorldWide Electric Corporation

1 (800) 808-2131

Worldwideelectric.net



Document Generated: 22-Feb-2023  
Document ID:

Customer:

## MOTOR INFORMATION

HP	2
RPM	1800
Phase	1
Frequency	60 Hz
Voltage	115/230
Frame Size	56HC
Enclosure	TEFC
Degree of Protection	IP43
Service Factor	1.15
Poles	4
Full Load Speed	1725
Insulation Class	F
Temp Rise	80°C
NEMA Code Letter	M
Duty Cycle	S1 / Continuous
Slip	4.17%
Max Ambient Temperature	40°C
Max Elevation	1000 m.a.s.l (3300 f.a.s.l)
Mounting	F1
Rotation	Bi-Directional
Mounting Type	C-Face with Removable Base
Standard	NEMA MG-1
Approvals	CSA, CE
Overload	Automatic Overload

## EFFICIENCY/POWER FACTOR

LOAD	EFF	P. F.
100%	79.1 %	83
75%	78.6 %	75.8
50%	74.6 %	63.7

## TORQUE

FULL LOAD	LRT	BDT
6.13 lb.ft.	305 %	235 %

## AMPERAGE INFORMATION

	115V	230V
Full Load Amps	19.6	9.8
Locked Rotor Amps	153.0	76.5
No Load Current	16.18	8.09
Usable at 208V	10.4A	

## BEARING INFORMATION

DE Bearing	6203 2RS
ODE Bearing	6203 2RS

## CAPACITOR INFORMATION

Start Capacitor	(1)800uF/165V
Run Capacitor	(1)40uF/250V

## ADDITIONAL DATA

F2 Suitable	No
Shaft Material	1045 Carbon Steel
Connection Diagram	115/230V - 6 Lead
Approximate Weight	44 lbs.

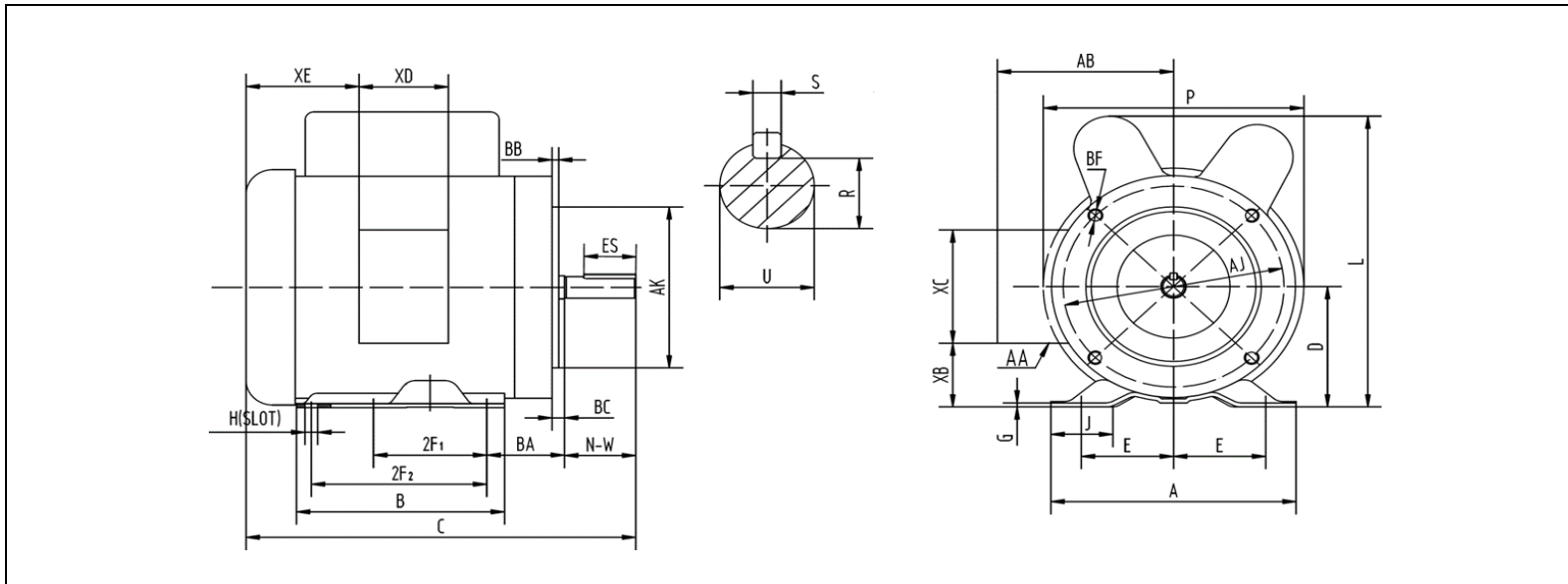
# MOTOR DRAWING

Premium Efficiency Motor: **NT2-18-56CB**

WorldWide Electric Corporation

1 (800) 808-2131

Worldwideelectric.net



## DIMENSION - INCHES

MOUNTING					A	B	C	D	G	L	P	AB	J
E	2F1	2F2	H	BA									
2.44	3	5	0.34	2.75	6.54	6.54	13.9	3.5	0.12	8.7	8.2	5.2	1.65

SHAFT & KEY				
R	ES	S	U	NW
0.517	1.41	0.188	0.625	1.88

TERMINAL BOX				
XB	XC	XD	XE	AA
1.65	3.7	3.2	2.15	3-0.88/2-1.109

FLANGE				
AK	AJ	BF	BB	BC
4.5	5.875	3/8-16	0.16	-0.19

# NAMEPLATE / WIRING

Premium Efficiency Motor: **NT2-18-56CB**

WorldWide Electric Corporation

1 (800) 808-2131

Worldwideelectric.net



Document Generated: 22-Feb-2023  
Document ID:

Customer:

## SAMPLE NAMEPLATE DATA

		<b>SINGLE PHASE INDUCTION MOTOR</b>			
<b>MODEL</b>	<b>FRAME 56C</b>	<b>LOW VOLTAGE</b>		<b>HIGH VOLTAGE</b>	
<b>Hz</b> 60	<b>ENCL. TEFC</b>	BLUE (T1)	] LINE1	BLUE (T1)	LINE1
<b>HP</b>	<b>PH 1</b>	ORANGE (T3)		ORANGE (T3)	] INS
<b>RPM</b>	<b>DUTY CONT</b>	RED (T8)	] LINE2	RED (T8)	
<b>VOLTS 115/230</b>	<b>CODE</b>	WHITE (T2)		WHITE (T2)	
<b>AMPS</b>	<b>INS. F IP43</b>	YELLOW (T4)	YELLOW (T4)	BLACK (T5)	BLACK (T5)
	<b>DES.</b>	BLACK (T5)			
<b>S. F. 1.15</b>	<b>LB/WT</b>	ACCEPTABLE FOR FIELD WIRING			
<b>SFA.</b>	<b>MAX. AMB. 40°C</b>	ROTATION CCW-OPE TO REVERSE EITHER VOLTAGE			
<b>DE/ODE BRG.</b>	<b>Date Code X X / X X X X</b>	INTERCHANGE BLACK (T5) AND RED (T8) LEADS			
		THERMALLY PROTECTED : NONE			
<b>SERIAL NO. XXXXXXXXXXXX</b>		<b>WorldWide Electric Corporation</b>			

**MADE IN CHINA**

<b>Model</b>	NT2-18-56CB	<b>Frame</b>	56HC
<b>Hz</b>	60 Hz	<b>Encl</b>	TEFC
<b>HP</b>	2	<b>PH</b>	1
<b>RPM</b>	1725	<b>DUTY</b>	CONT
<b>Voltage</b>	115/230	<b>Code</b>	M
<b>Amps</b>	19.6/9.8	<b>Ins Cl</b>	F
<b>S.F.</b>	1.15	<b>IP</b>	IP43
<b>SFA.</b>	22.8/11.4	<b>DES.</b>	L
<b>DE Brng</b>	6203 2RS	<b>WT:</b>	44 lbs.
<b>ODE Brng</b>	6203 2RS		