

# DATA SHEET

Premium Efficiency Motor: **NTJ2-36-56CB**

**60 Hz**

WorldWide Electric Corporation

1 (800) 808-2131

Worldwideelectric.net



Document Generated: 27-Feb-2023

Document ID:

Customer:

## MOTOR INFORMATION

|                         |                             |
|-------------------------|-----------------------------|
| HP                      | 2                           |
| RPM                     | 3600                        |
| Phase                   | 1                           |
| Frequency               | 60 Hz                       |
| Voltage                 | 115/230                     |
| Frame Size              | 56C                         |
| Enclosure               | TEFC                        |
| Degree of Protection    | IP43                        |
| Service Factor          | 1.15                        |
| Poles                   | 2                           |
| Full Load Speed         | 3450                        |
| Insulation Class        | F                           |
| Temp Rise               | 80°C                        |
| NEMA Code Letter        | K                           |
| Duty Cycle              | S1 / Continuous             |
| Slip                    | 4.17%                       |
| Max Ambient Temperature | 40°C                        |
| Max Elevation           | 1000 m.a.s.l (3300 f.a.s.l) |
| Mounting                | F1                          |
| Rotation                | Clockwise                   |
| Mounting Type           | C-Face with Removable Base  |
| Standard                | NEMA MG-1                   |
| Approvals               | CSA, CE                     |
| Overload                | Automatic Overload          |

## EFFICIENCY/POWER FACTOR

| LOAD | EFF    | P. F. |
|------|--------|-------|
| 100% | 79.8 % | 96.1  |
| 75%  | 80.3 % | 95.5  |
| 50%  | 77.6 % | 92.9  |

## TORQUE

| FULL LOAD   | LRT   | BDT   |
|-------------|-------|-------|
| 3.06 lb.ft. | 140 % | 205 % |

## AMPERAGE INFORMATION

|                   | 115V  | 230V  |
|-------------------|-------|-------|
| Full Load Amps    | 17.2  | 8.6   |
| Locked Rotor Amps | 232.4 | 116.2 |
| No Load Current   | 17.28 | 8.64  |

## BEARING INFORMATION

|             |          |
|-------------|----------|
| DE Bearing  | 6203 2RS |
| ODE Bearing | 6203 2RS |

## CAPACITOR INFORMATION

|                 |               |
|-----------------|---------------|
| Start Capacitor | (1)400uF/165V |
| Run Capacitor   | (1)40uF/250V  |

## ADDITIONAL DATA

|                    |                   |
|--------------------|-------------------|
| F2 Suitable        | No                |
| Shaft Material     | 1045 Carbon Steel |
| Connection Diagram | 115/230V - 6 Lead |
| Approximate Weight | 36.6 lbs.         |

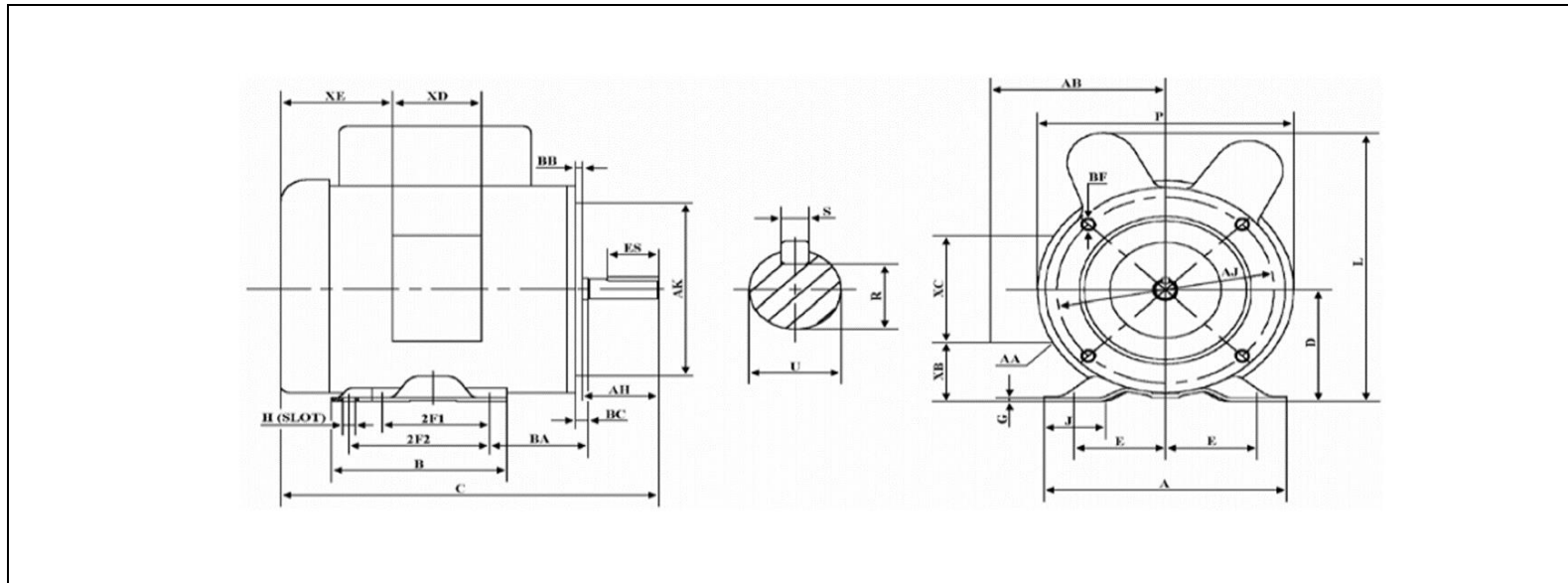
# MOTOR DRAWING

Premium Efficiency Motor: **NTJ2-36-56CB**

WorldWide Electric Corporation

1 (800) 808-2131

Worldwideelectric.net



## DIMENSION - INCHES

| MOUNTING |     |     |      |      | A    | B    | C    | D   | G    | L   | P   | AB  | J    |
|----------|-----|-----|------|------|------|------|------|-----|------|-----|-----|-----|------|
| E        | 2F1 | 2F2 | H    | BA   |      |      |      |     |      |     |     |     |      |
| 2.44     | 3   | 5   | 0.34 | 2.75 | 6.54 | 6.54 | 12.9 | 3.5 | 0.12 | 8.7 | 8.2 | 5.2 | 1.65 |

| SHAFT & KEY |      |       |       |      |
|-------------|------|-------|-------|------|
| R           | ES   | S     | U     | NW   |
| 0.517       | 1.41 | 0.188 | 0.625 | 1.88 |

| TERMINAL BOX |     |     |      |           |
|--------------|-----|-----|------|-----------|
| XB           | XC  | XD  | XE   | AA        |
| 1.65         | 3.7 | 3.2 | 2.15 | 1/2 & 3/6 |

| FLANGE |       |        |      |       |
|--------|-------|--------|------|-------|
| AK     | AJ    | BF     | BB   | BC    |
| 4.5    | 5.875 | 3/8-16 | 0.16 | -0.19 |

# NAMEPLATE / WIRING

Premium Efficiency Motor: **NTJ2-36-56CB**

WorldWide Electric Corporation

1 (800) 808-2131

Worldwideelectric.net



Document Generated: 27-Feb-2023  
Document ID:

Customer:

## SAMPLE NAMEPLATE DATA

|   |              |   |                     |                      |  |
|---|--------------|---|---------------------|----------------------|--|
|   |              | <b>INDUSTRIAL DUTY<br/>FRACTIONAL MOTOR</b>   |                     |                      |  |
| <b>MODEL</b>                              | <b>FRAME</b> | <b>LOW VOLTAGE</b>  |                     | <b>HIGH VOLTAGE</b>  |  |
| Hz  | ENCL.        | BLACK (P1) — LINE1  | BLACK (P1) — LINE1  | <b>MADE IN CHINA</b> |  |
| HP  | PH           | BROWN (P2) — INS  | BROWN (P2) — INS    |                      |  |
| RPM                                       | DUTY         | ORANGE (T3) — INS   | ORANGE (T3) — INS   |                      |  |
| VOLTS                                     | CODE         | BLACK (T5) — INS  | BLACK (T5) — INS    |                      |  |
| AMPS                                      | INS.         | WHITE (T2) — INS  | WHITE (T2) — INS    |                      |  |
| S. F.                                     | DES.         | YELLOW (T4) — LINE2   | YELLOW (T4) — LINE2 |                      |  |
| SFA.                                      | LB/WT        | RED (T8) — LINE2  | RED (T8) — LINE2    |                      |  |
| MAX. AMB.                                 | DE/ODE BRG.  | <b>ACCEPTABLE FOR FIELD WIRING</b><br>ROTATION CW-OPE TO REVERSE EITHER VOLTAGE<br>INTERCHANGE BLACK (T5) AND RED (T8) LEADS<br>THERMALLY PROTECTED : AUTOMATIC |                     |                      |  |
| SERIAL NO. XXXXXXXXXX Date Code XXX/XXXXX |              |   |                     |                      |  |
| WorldWide Electric Corporation            |              |   |                     |                      |  |

|                 |              |               |           |
|-----------------|--------------|---------------|-----------|
| <b>Model</b>    | NTJ2-36-56CB | <b>Frame</b>  | 56C       |
| <b>Hz</b>       | 60 Hz        | <b>Encl</b>   | TEFC      |
| <b>HP</b>       | 2            | <b>PH</b>     | 1         |
| <b>RPM</b>      | 3450         | <b>DUTY</b>   | CONT      |
| <b>Voltage</b>  | 115/230      | <b>Code</b>   | K         |
| <b>Amps</b>     | 17.2/8.6     | <b>Ins Cl</b> | F         |
| <b>S.F.</b>     | 1.15         | <b>IP</b>     | IP43      |
| <b>SFA.</b>     | 19.6/9.8     | <b>DES.</b>   | L         |
| <b>DE Brng</b>  | 6203 2RS     | <b>WT:</b>    | 36.6 lbs. |
| <b>ODE Brng</b> | 6203 2RS     |               |           |