



# WORLDWIDE ELECTRIC MOTOR DATA SHEET



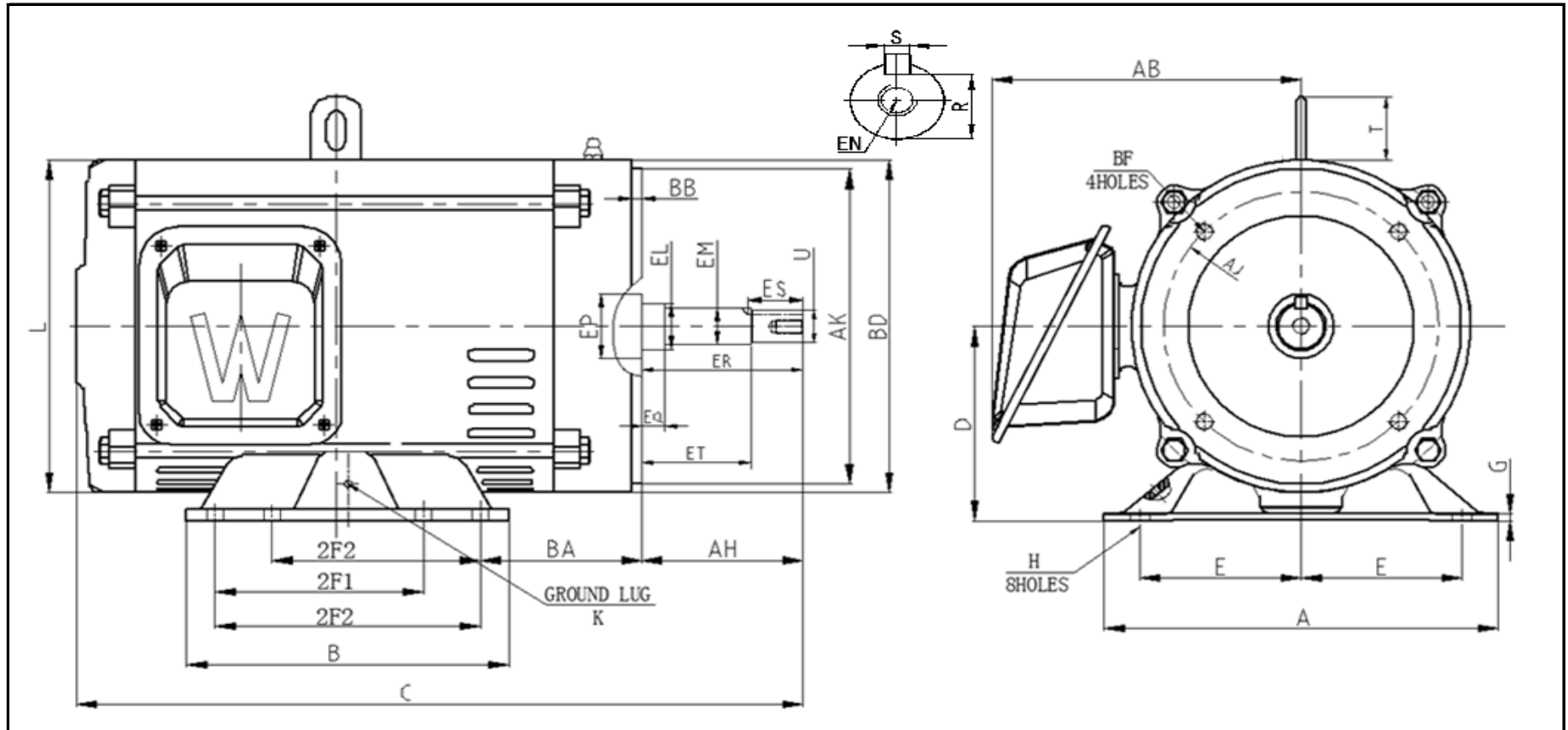
## OCCP25-36-256JP

HORSEPOWER	<b>25</b>		
RPM / POLES	<b>3600 / 2</b>		
VOLTAGE / PHASE	<b>208 - 230 / 460 V / 3</b>		
FRAME	<b>256JP</b>		
ENCLOSURE / DEGREE OF PROTECTION	<b>ODP / IP23</b>		
FREQUENCY	<b>60 HZ Suitable For 50 HZ Operation With 1.0 SF</b>		
FULL LOAD SPEED	<b>3530 RPM</b>		
SERVICE FACTOR	<b>1.15 SF 60 HZ / 1.0 SF at 50 HZ</b>		
INSULATION CLASS	<b>F</b>		
FULL LOAD AMPS; 230 / 460	<b>54.0 / 27.0 A</b>		
LOCKED ROTOR AMPS (STARTING); 230 / 460	<b>402 / 201 A</b>		
NO LOAD CURRENT	<b>10.0 / 5.0 A</b>		
NEMA CODE LETTER	<b>H</b>		
EFFICIENCY / POWER FACTOR	<u>LOAD</u>	<u>EFF.</u>	<u>P.F.</u>
	<b>100%</b>	<b>91.7%</b>	<b>0.93</b>
	<b>75%</b>	<b>93.6%</b>	<b>0.92</b>
	<b>50%</b>	<b>93.9%</b>	<b>0.88</b>
DUTY CYCLE	<b>S1 / Continuous</b>		
TORQUE	<u>FULL LOAD</u>	<u>LRT</u>	<u>BDT</u>
	<b>37.0 lb.ft.</b>	<b>287.0%</b>	<b>347.0%</b>
SLIP	<b>1.934%</b>		
NEMA DESIGN	<b>B</b>		
NUMBER OF STARTS (Hot / Cold)	<b>2 Hot / 3 Cold</b>		
MAX. AMBIENT TEMPERATURE	<b>40° C</b>		
MAX. ELEVATION	<b>3300 Ft. Above Sea Level</b>		
TEMPERATURE RISE (At Full Load)	<b>80° C</b>		
DE BEARING	<b>6309Z</b>		
ODE BEARING	<b>6307Z</b>		
GREASE TYPE	<b>Multemp SRL</b>		
MOUNTING	<b>F1</b>		
ROTATION	<b>Bi-Directional</b>		
APPROXIMATE WEIGHT	<b>270 Lbs..</b>		
AREA CLASSIFICATION	<b>Non-Hazardous</b>		
INVERTER RATING	<b>10:1 CT / 20:1 VT PWM Type</b>		
SPECIFICATION - In Accordance With	<b>NEMA, UR</b>		



# WORLDWIDE ELECTRIC MOTOR DRAWING

## OCCP-256JP



**DIMENSIONS - INCHES**

MOUNTING					A	B	C	D	G	AB	L	T	KEYSET	KEY	
E	2F1	2F2	H	BA									R	ES	S
5	8.25	10	0.53	4.75	12.05	11.57	26.815	6.25	0.47	9.7	10.6	2.48	1.1	2.53	0.25

FLANGE					AH	SHAFT EXTENSION								K
AK	AJ	BF	BB	BD		EL	EM	EP	EQ	ER	ET	EN	U	
8.5	7.25	1/2-13 * 0.75	0.256	10	8.125	1.75	1.375	1.75	2.375	8.13	5.875	1/2-13 * 1.0	1.25	M6