



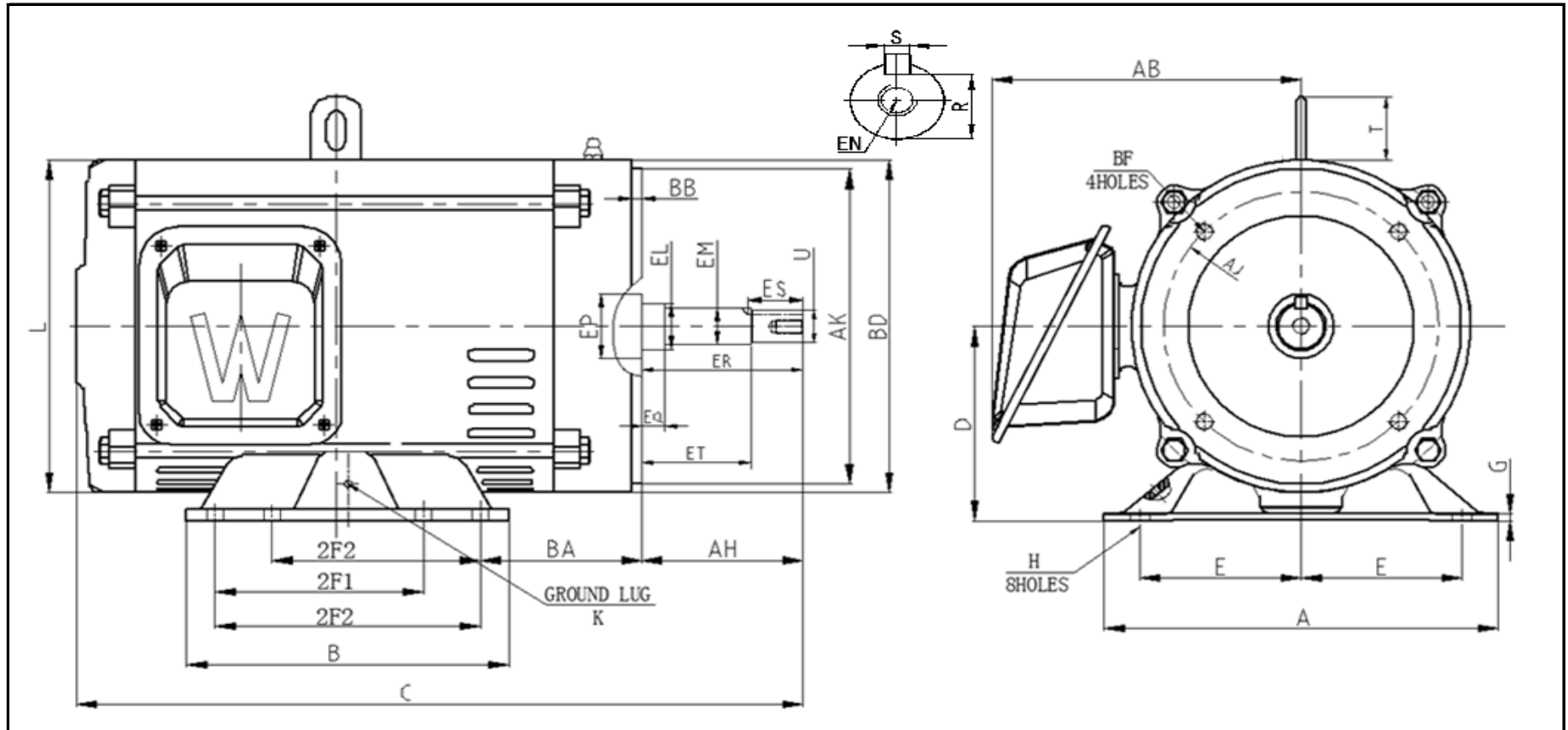
# WORLDWIDE ELECTRIC MOTOR DATA SHEET



## OCCP30-36-284JP

|   |   |               |               |
|---|---|---------------|---------------|
| HORSEPOWER                              | <b>30</b>   |               |               |
| RPM / POLES                             | <b>3600 / 2</b>                                       |               |               |
| VOLTAGE / PHASE                         | <b>208 - 230 / 460 V / 3</b>                          |               |               |
| FRAME                                   | <b>284JP</b>  |               |               |
| ENCLOSURE / DEGREE OF PROTECTION        | <b>ODP / IP23</b>                                     |               |               |
| FREQUENCY                               | <b>60 HZ Suitable For 50 HZ Operation With 1.0 SF</b> |               |               |
| FULL LOAD SPEED                         | <b>3558 RPM</b>                                       |               |               |
| SERVICE FACTOR                          | <b>1.15 SF 60 HZ / 1.0 SF at 50 HZ</b>                |               |               |
| INSULATION CLASS                        | <b>F</b>  |               |               |
| FULL LOAD AMPS; 230 / 460               | <b>66.4 / 33.2 A</b>                                  |               |               |
| LOCKED ROTOR AMPS (STARTING); 230 / 460 | <b>473.8 / 236.9 A</b>                                |               |               |
| NO LOAD CURRENT                         | <b>12.2 / 6.1 A</b>                                   |               |               |
| NEMA CODE LETTER                        | <b>G</b>  |               |               |
| EFFICIENCY / POWER FACTOR               | <u>LOAD</u>   | <u>EFF.</u>   | <u>P.F.</u>   |
|   | <b>100%</b>   | <b>92.5%</b>  | <b>0.90</b>   |
|   | <b>75%</b>  | <b>93.2%</b>  | <b>0.90</b>   |
|   | <b>50%</b>  | <b>93.2%</b>  | <b>0.87</b>   |
| DUTY CYCLE                              | <b>S1 / Continuous</b>                                |               |               |
| TORQUE                                  | <u>FULL LOAD</u>                                      | <u>LRT</u>    | <u>BDT</u>    |
|   | <b>43.45 lb.ft.</b>                                   | <b>333.0%</b> | <b>397.0%</b> |
|   |   |               |               |
| SLIP                                    | <b>1.168%</b>   |               |               |
| NEMA DESIGN                             | <b>B</b>  |               |               |
| NUMBER OF STARTS (Hot / Cold)           | <b>2 Hot / 3 Cold</b>                                 |               |               |
| MAX. AMBIENT TEMPERATURE                | <b>40° C</b>  |               |               |
| MAX. ELEVATION                          | <b>3300 Ft. Above Sea Level</b>                       |               |               |
| TEMPERATURE RISE (At Full Load)         | <b>80° C</b>  |               |               |
| DE BEARING                              | <b>6311Z</b>  |               |               |
| ODE BEARING                             | <b>6310Z</b>  |               |               |
| GREASE TYPE                             | <b>Multemp SRL</b>                                    |               |               |
| MOUNTING                                | <b>F1</b>   |               |               |
| ROTATION                                | <b>Bi-Directional</b>                                 |               |               |
| APPROXIMATE WEIGHT                      | <b>330 Lbs.</b>                                       |               |               |
| AREA CLASSIFICATION                     | <b>Non-Hazardous</b>                                  |               |               |
| INVERTER RATING                         | <b>10:1 CT / 20:1 VT PWM Type</b>                     |               |               |
| SPECIFICATION - In Accordance With      | <b>NEMA, UR</b>                                       |               |               |





**DIMENSIONS - INCHES**

| MOUNTING |     |     |      |      | A    | B    | C    | D | G    | AB   | L    | T    | KEYSET | KEY  |      |
|----------|-----|-----|------|------|------|------|------|---|------|------|------|------|--------|------|------|
| E        | 2F1 | 2F2 | H    | BA   |      |      |      |   |      |      |      |      | R      | ES   | S    |
| 5.5      | 9.5 | 11  | 0.53 | 4.75 | 12.8 | 12.8 | 28.6 | 7 | 0.24 | 11.1 | 12.2 | 2.48 | 1.1    | 2.53 | 0.25 |

| FLANGE |    |               |      |    | AH    | SHAFT EXTENSION |       |      |       |      |       |              |      | K  |
|--------|----|---------------|------|----|-------|-----------------|-------|------|-------|------|-------|--------------|------|----|
| AK     | AJ | BF            | BB   | BD |       | EL              | EM    | EP   | EQ    | ER   | ET    | EN           | U    |    |
| 12.5   | 11 | 5/8-11 * 0.94 | 0.28 | 14 | 8.125 | 1.75            | 1.375 | 2.13 | 2.375 | 8.13 | 5.875 | 1/2-13 * 1.0 | 1.25 | M6 |