



# WORLDWIDE ELECTRIC MOTOR DATA SHEET

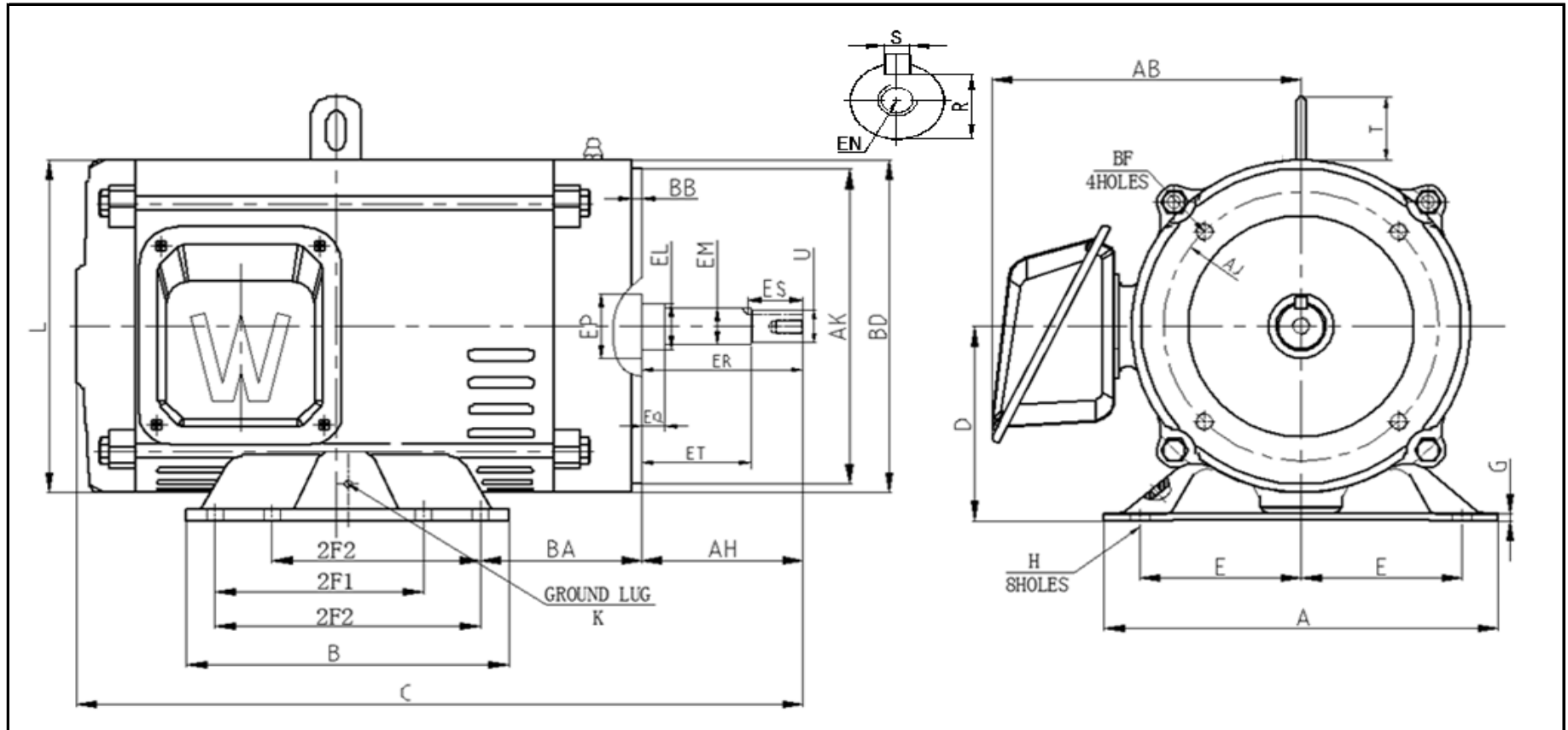
## OCCP50-18-326JM



|   |  |             |             |
|---|--|-------------|-------------|
| HORSEPOWER                              | 50   |             |             |
| RPM / POLES                             | 1800 / 4                                       |             |             |
| VOLTAGE / PHASE                         | 208 - 230 / 460 V / 3                          |             |             |
| FRAME                                   | 326JM  |             |             |
| ENCLOSURE / DEGREE OF PROTECTION        | ODP / IP23                                     |             |             |
| FREQUENCY                               | 60 HZ Suitable For 50 HZ Operation With 1.0 SF |             |             |
| FULL LOAD SPEED                         | 1776 RPM                                       |             |             |
| SERVICE FACTOR                          | 1.15 SF 60 HZ / 1.0 SF at 50 HZ                |             |             |
| INSULATION CLASS                        | F  |             |             |
| FULL LOAD AMPS; 230 / 460               | 117.4 / 58.7 A                                 |             |             |
| LOCKED ROTOR AMPS (STARTING); 230 / 460 | 818 / 409 A                                    |             |             |
| NO LOAD CURRENT                         | 46.0 / 23.0 A                                  |             |             |
| NEMA CODE LETTER                        | H  |             |             |
| EFFICIENCY / POWER FACTOR               | <u>LOAD</u>                                    | <u>EFF.</u> | <u>P.F.</u> |
|   | 100%   | 94.5%       | 0.84        |
|   | 75%  | 94.9%       | 0.79        |
|   | 50%  | 94.5%       | 0.67        |
| DUTY CYCLE                              | S1 / Continuous                                |             |             |
| TORQUE                                  | <u>FULL LOAD</u>                               | <u>LRT</u>  | <u>BDT</u>  |
|   | 3.03 lb.ft.                                    | 353.0%      | 304.0%      |
|   |  |             |             |
| SLIP                                    | 1.330%   |             |             |
| NEMA DESIGN                             | B  |             |             |
| NUMBER OF STARTS (Hot / Cold)           | 2 Hot / 3 Cold                                 |             |             |
| MAX. AMBIENT TEMPERATURE                | 40° C  |             |             |
| MAX. ELEVATION                          | 3300 Ft. Above Sea Level                       |             |             |
| TEMPERATURE RISE (At Full Load)         | 80° C  |             |             |
| DE BEARING                              | 6314Z  |             |             |
| ODE BEARING                             | 6212Z  |             |             |
| GREASE TYPE                             | Multemp SRL                                    |             |             |
| MOUNTING                                | F1   |             |             |
| ROTATION                                | Bi-Directional                                 |             |             |
| APPROXIMATE WEIGHT                      | 475 Lbs.                                       |             |             |
| AREA CLASSIFICATION                     | Non-Hazardous                                  |             |             |
| INVERTER RATING                         | 10:1 CT / 20:1 VT PWM Type                     |             |             |
| SPECIFICATION - In Accordance With      | NEMA, UR                                       |             |             |



JULY 16, 2020



**DIMENSIONS - INCHES**

| MOUNTING |      |     |      |      | A     | B  | C    | D | G     | AB   | L     | T    | KEYSET |      | KEY  |  |
|----------|------|-----|------|------|-------|----|------|---|-------|------|-------|------|--------|------|------|--|
| E        | 2F1  | 2F2 | H    | BA   |       |    |      |   |       |      |       |      | R      | ES   | S    |  |
| 6.25     | 10.5 | 12  | 0.66 | 5.25 | 15.08 | 14 | 27.6 | 8 | 0.275 | 13.1 | 13.97 | 2.48 | 1.1    | 2.53 | 0.25 |  |

| FLANGE |    |               |      |    | AH   | SHAFT EXTENSION |       |      |       |      |    |              |      | K  |
|--------|----|---------------|------|----|------|-----------------|-------|------|-------|------|----|--------------|------|----|
| AK     | AJ | BF            | BB   | BD |      | EL              | EM    | EP   | EQ    | ER   | ET | EN           | U    |    |
| 12.5   | 11 | 5/8-11 * 0.94 | 0.28 | 14 | 5.25 | 1.75            | 1.375 | 2.13 | 0.625 | 5.25 | 3  | 1/2-13 * 1.0 | 1.25 | M8 |