

# DATA SHEET

Premium Efficiency Motor: **ODP1-18-143T-F2,**

**60 Hz**

WorldWide Electric Corporation

1 (800) 808-2131

Worldwideelectric.net



Document Generated: 12-Dec-2023  
Document ID:

Customer:

| MOTOR INFORMATION       |                             |
|-------------------------|-----------------------------|
| HP                      | 1                           |
| RPM                     | 1800                        |
| Phase                   | 3                           |
| Frequency               | 60                          |
| Voltage                 | 230/460                     |
| Frame Size              | 143/5T                      |
| Enclosure               | ODP                         |
| Degree of Protection    | IP23                        |
| Service Factor          | 1.15                        |
| Poles                   | 4                           |
| Full Load Speed         | 1742                        |
| Insulation Class        | F                           |
| Temp Rise               | 80°C                        |
| NEMA Code Letter        | K                           |
| Duty Cycle              | S1 / Continuous             |
| Slip                    | 3.20%                       |
| NEMA Design             | B                           |
| Moment of Inertia       | 0.091 lb.ft.^2              |
| Locked Rotor Time (Hot) | 12 seconds                  |
| Sound Pressure Level    | 57 dB(A)                    |
| Number of Starts        | 2 Cold / 1 Hot              |
| Max Ambient Temperature | 40°C                        |
| Max Elevation           | 1000 m.a.s.l (3300 f.a.s.l) |
| Mounting                | F2                          |
| Rotation                | Bi-Directional              |
| Area of Classification  | Safe Area                   |
| Inverter Rating         | 10:1 CT / 20:1 VT           |
| Standard                | NEMA MG 1                   |
| Approvals               | UL, CE                      |

| EFFICIENCY/POWER FACTOR |        |       |
|-------------------------|--------|-------|
| LOAD                    | EFF    | P. F. |
| 100%                    | 85.5 % | 0.8   |
| 75%                     | 86.2 % | 0.73  |
| 50%                     | 84.8 % | 0.62  |

| TORQUE      |       |       |
|-------------|-------|-------|
| FULL LOAD   | LRT   | BDT   |
| 3.03 lb.ft. | 314 % | 331 % |

| AMPERAGE INFORMATION |        |        |
|----------------------|--------|--------|
|                      | 230V   | 460V   |
| Full Load Amps       | 2.8A   | 1.4A   |
| Locked Rotor Amps    | 21.18A | 10.59A |
| No Load Current      | 1.4A   | 0.7A   |
| Usable at 208V       | 1.55A  |        |

| BEARING INFORMATION     |          |
|-------------------------|----------|
| DE Bearing              | 6205ZZ   |
| ODE Bearing             | 6204ZZ   |
| Grease Type             | NSK SN7  |
| DE Regreasing Interval  | -- Hours |
| ODE Regreasing Interval | -- Hours |
| Grease Quantity         | --       |

| ADDITIONAL DATA    |            |
|--------------------|------------|
| F1 Suitable        | No         |
| Shaft Material     | AISI 1045  |
| Connection Diagram | 9 Lead Wye |
| Approximate Weight | 33.1 lbs.  |

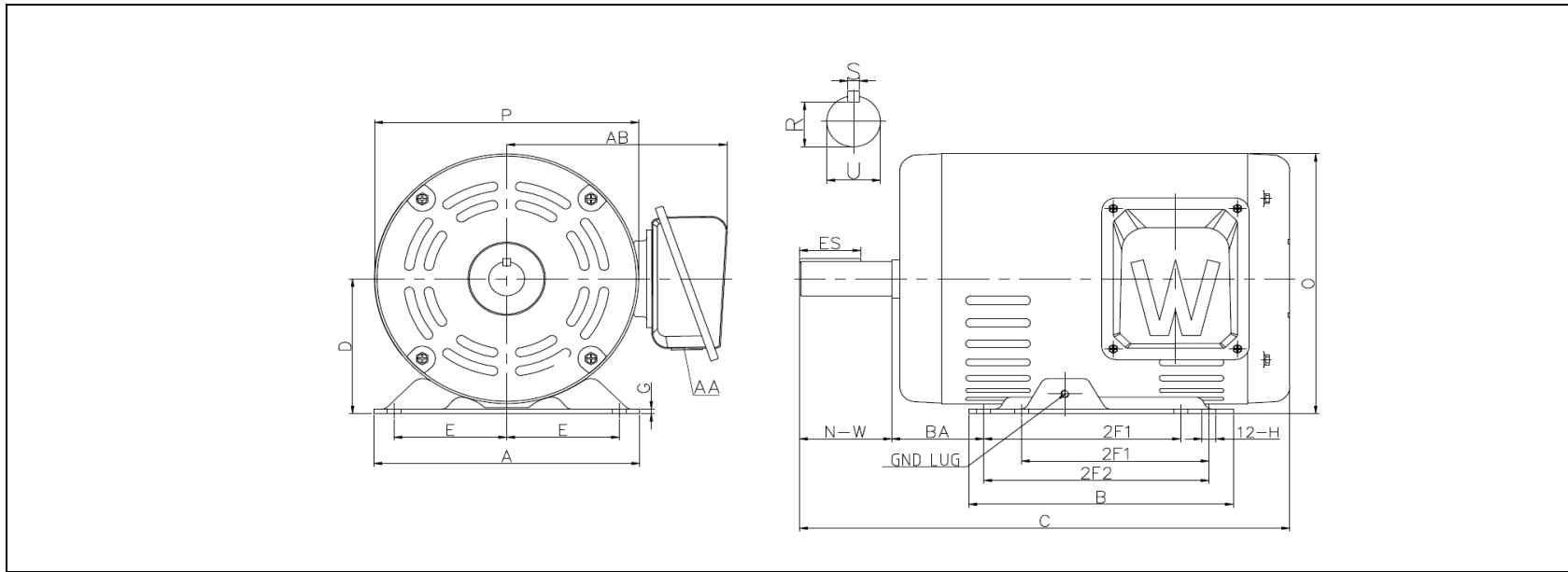
# MOTOR DRAWING

Premium Efficiency Motor: **ODP1-18-143T-F2**

WorldWide Electric Corporation

1 (800) 808-2131

Worldwideelectric.net



## DIMENSION - INCHES

| MOUNTING |     |     |      |      | A   | B   | C      | D   | G     | P   | O    | T  | AB    |
|----------|-----|-----|------|------|-----|-----|--------|-----|-------|-----|------|----|-------|
| E        | 2F1 | 2F2 | H    | BA   |     |     |        |     |       |     |      |    |       |
| 2.75     | 4   | 5   | 0.34 | 2.25 | 6.5 | 6.5 | 11.974 | 3.5 | 0.118 | 6.5 | 6.73 | -- | 5.384 |

| SHAFT & KEY |      |       |      |       |
|-------------|------|-------|------|-------|
| S           | ES   | R     | N-W  | U     |
| 0.188       | 1.41 | 0.771 | 2.25 | 0.875 |

| T-BOX | GND LUG |
|-------|---------|
| AA    | M5*P0.8 |
| 1.09  |         |

# PERFORMANCE CURVES

Premium Efficiency Motor: **ODP1-18-143T-F2**

WorldWide Electric Corporation

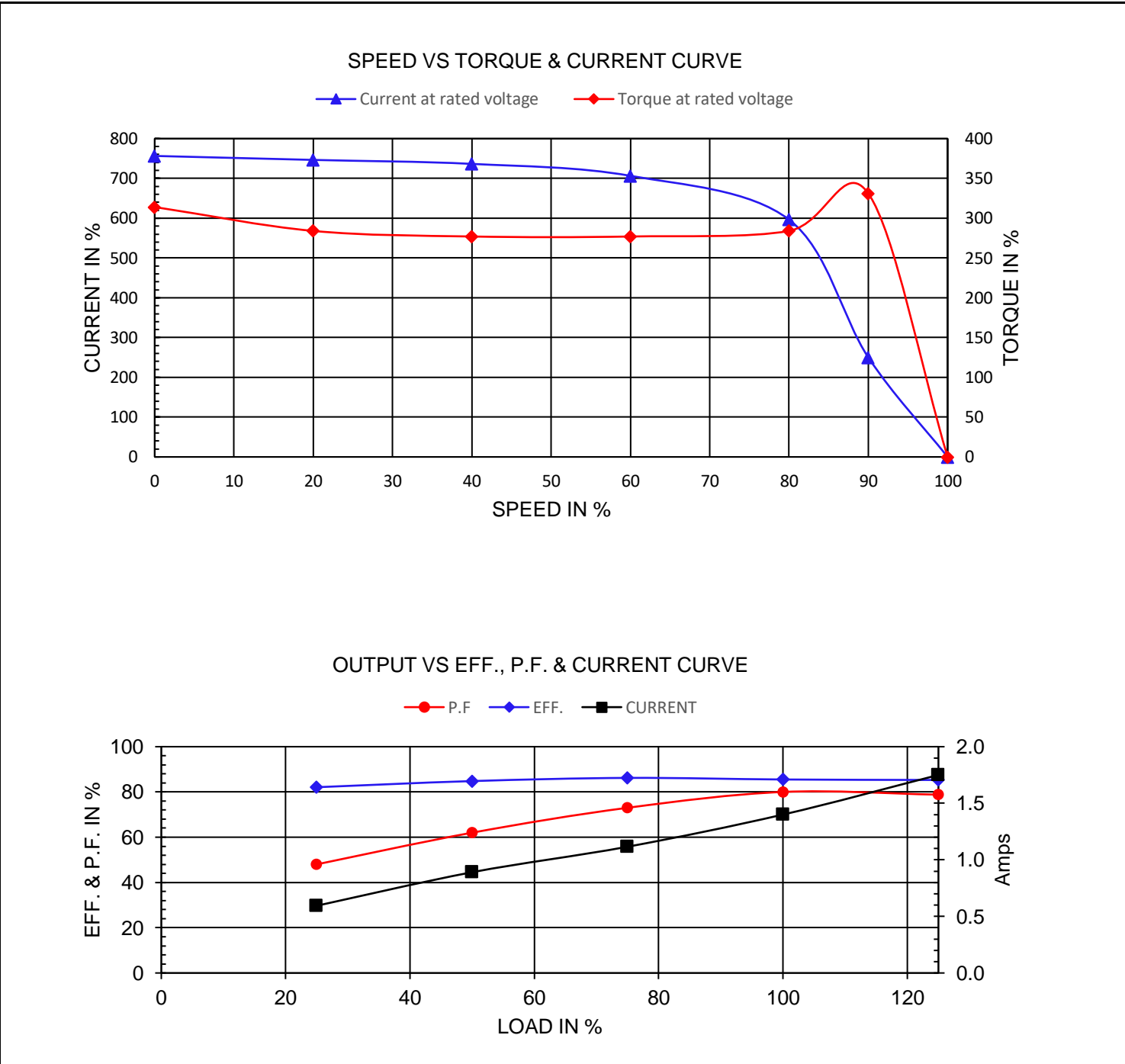
1 (800) 808-2131

Worldwideelectric.net



|                                 |           |
|---------------------------------|-----------|
| Document Generated: 12-Dec-2023 | Customer: |
| Document ID:                    |           |

|                       |       |                    |              |      |  |
|-----------------------|-------|--------------------|--------------|------|--|
| Motor Type            | ODP   |                    | FL Speed     | 1742 |  |
| Output Rating (HP)    | 1     |                    | LRT (%FLT)   | 314  |  |
| Full Load Torque      | 3.03  | lb.ft              | 460 volt FLA | 1.4  |  |
| Rotor Wk <sup>2</sup> | 0.855 | lb-ft <sup>2</sup> | 230 volt FLA | 2.8  |  |
|                       |       |                    | BDT (%FLT)   | 331  |  |



# NAMEPLATE / WIRING

WorldWide Electric Corporation

1 (800) 808-2131

Worldwideelectric.net



Premium Efficiency Motor: **ODP1-18-143T-F2**

Document Generated: 12-Dec-2023  
Document ID:

Customer:

## SAMPLE NAMEPLATE DATA

|                                       |                    |  |                        |              |                     |                    |                 |   |  |  |  |  |
|---------------------------------------|--------------------|--|------------------------|--------------|---------------------|--------------------|-----------------|---|--|--|--|--|
|                                       |                    | <b>OPEN DRIP PROOF<br/>3 PHASE MOTOR</b> |                        |              |                     |                    |                 |   |  |  |  |  |
| <b>Model :</b>                        |                    | <b>Encl :</b> ODP                        |                        | <b>SN :</b>  |                     |                    |                 | 4 5 6<br>   |  | 7 8 9<br>1 2 3<br>L1 L2 L3<br><b>230 V</b> |  |  |
| <b>HP :</b>                           | <b>Poles :</b>     | <b>FR :</b>                              | <b>Ins :</b> F         | <b>IP 23</b> | <b>Max Amb 40°C</b> | <b>Duty :</b> Cont |                 | 4 5 6<br>7 8 9<br>1 2 3<br>L1 L2 L3<br><b>460 V</b> |  |  |  |  |
| <b>Hz :</b> 60                        | <b>CODE:</b>       |  | <b>Hz :</b> 50         |              | <b>Design :</b> B   |                    | <b>DE BRG :</b> |   |  |  |  |  |
| <b>Volts :</b> 230/460                | <b>P.F. :</b>      |  | <b>Volts :</b> 190/380 |              | <b>ODE BRG :</b>    |                    |                 |   |  |  |  |  |
| <b>Amps :</b>                         | <b>Eff: %</b>      |  | <b>Amps :</b>          |              | <b>WT: LBS</b>      |                    |                 |   |  |  |  |  |
| <b>RPM :</b>                          | <b>S.F. : 1.15</b> |  | <b>RPM :</b>           |              | <b>Date :</b>       |                    |                 |   |  |  |  |  |
| <b>WorldWide Electric Corporation</b> |                    |  |                        |              |                     |                    |                 |   |  |  |  |  |

|                               |                   |                       |                        |                |  |  |  |  |  |  |  |  |  |  |
|-------------------------------|-------------------|-----------------------|------------------------|----------------|--|--|--|--|--|--|--|--|--|--|
| <b>Model:</b> ODP1-18-143T-F2 |                   | <b>Encl:</b> ODP      |                        |                |  |  |  |  |  |  |  |  |  |  |
| <b>HP:</b> 1                  | <b>Poles:</b> 4   | <b>Frame</b> 143/5T   | <b>Ins Cl:</b> F       | <b>IP</b> IP23 |  |  |  |  |  |  |  |  |  |  |
| <b>Hz:</b> 60                 | <b>Code:</b> K    | <b>Hz:</b> 50         | <b>Design:</b> B       |                |  |  |  |  |  |  |  |  |  |  |
| <b>Volts:</b> 230/460         | <b>P.F.:</b> 0.8  | <b>Volts:</b> 190/380 | <b>DE Brg:</b> 6205ZZ  |                |  |  |  |  |  |  |  |  |  |  |
| <b>Amps:</b> 2.8/1.4          | <b>Eff:</b> 85.5% | <b>Amps:</b> 3.4/1.7  | <b>ODE Brg:</b> 6204ZZ |                |  |  |  |  |  |  |  |  |  |  |
| <b>RPM:</b> 1742              | <b>S.F.:</b> 1.15 | <b>RPM:</b> 1445      | <b>WT:</b> 33.1 lbs.   |                |  |  |  |  |  |  |  |  |  |  |
|                               |                   | <b>S.F.:</b> 1.0      |                        |                |  |  |  |  |  |  |  |  |  |  |