

# DATA SHEET

Premium Efficiency Motor: **ODP1-36-143TC,**

**60 Hz**

WorldWide Electric Corporation

1 (800) 808-2131

Worldwideelectric.net



Document Generated: 11-Dec-2023  
Document ID:

Customer:

| MOTOR INFORMATION       |                             |
|-------------------------|-----------------------------|
| HP                      | 1                           |
| RPM                     | 3600                        |
| Phase                   | 3                           |
| Frequency               | 60                          |
| Voltage                 | 230/460                     |
| Frame Size              | 143/5TC                     |
| Enclosure               | ODP                         |
| Degree of Protection    | IP23                        |
| Service Factor          | 1.15                        |
| Poles                   | 2                           |
| Full Load Speed         | 3455                        |
| Insulation Class        | F                           |
| Temp Rise               | 80°C                        |
| NEMA Code Letter        | L                           |
| Duty Cycle              | S1 / Continuous             |
| Slip                    | 4.02%                       |
| NEMA Design             | B                           |
| Moment of Inertia       | 0.047 lb.ft.^2              |
| Locked Rotor Time (Hot) | 12 seconds                  |
| Sound Pressure Level    | 60 dB(A)                    |
| Number of Starts        | 2 Cold / 1 Hot              |
| Max Ambient Temperature | 40°C                        |
| Max Elevation           | 1000 m.a.s.l (3300 f.a.s.l) |
| Mounting                | F1                          |
| Rotation                | Bi-Directional              |
| Area of Classification  | Safe Area                   |
| Inverter Rating         | 10:1 CT / 20:1 VT           |
| Standard                | NEMA MG 1                   |
| Approvals               | UL, CE                      |

| EFFICIENCY/POWER FACTOR |        |       |
|-------------------------|--------|-------|
| LOAD                    | EFF    | P. F. |
| 100%                    | 77.0 % | 0.85  |
| 75%                     | 81.2 % | 0.80  |
| 50%                     | 78.3 % | 0.7   |

| TORQUE      |       |       |
|-------------|-------|-------|
| FULL LOAD   | LRT   | BDT   |
| 1.53 lb.ft. | 405 % | 347 % |

| AMPERAGE INFORMATION |        |        |
|----------------------|--------|--------|
|                      | 230V   | 460V   |
| Full Load Amps       | 2.7A   | 1.35A  |
| Locked Rotor Amps    | 23.62A | 11.81A |
| No Load Current      | 1.2A   | 0.6A   |
| Usable at 208V       | 1.49A  |        |

| BEARING INFORMATION     |          |
|-------------------------|----------|
| DE Bearing              | 6205ZZ   |
| ODE Bearing             | 6204ZZ   |
| Grease Type             | NSK SN7  |
| DE Regreasing Interval  | -- Hours |
| ODE Regreasing Interval | -- Hours |
| Grease Quantity         | --       |

| ADDITIONAL DATA    |            |
|--------------------|------------|
| F2 Suitable        | No         |
| Shaft Material     | AISI 1045  |
| Connection Diagram | 9 Lead Wye |
| Approximate Weight | 28.7 lbs.  |

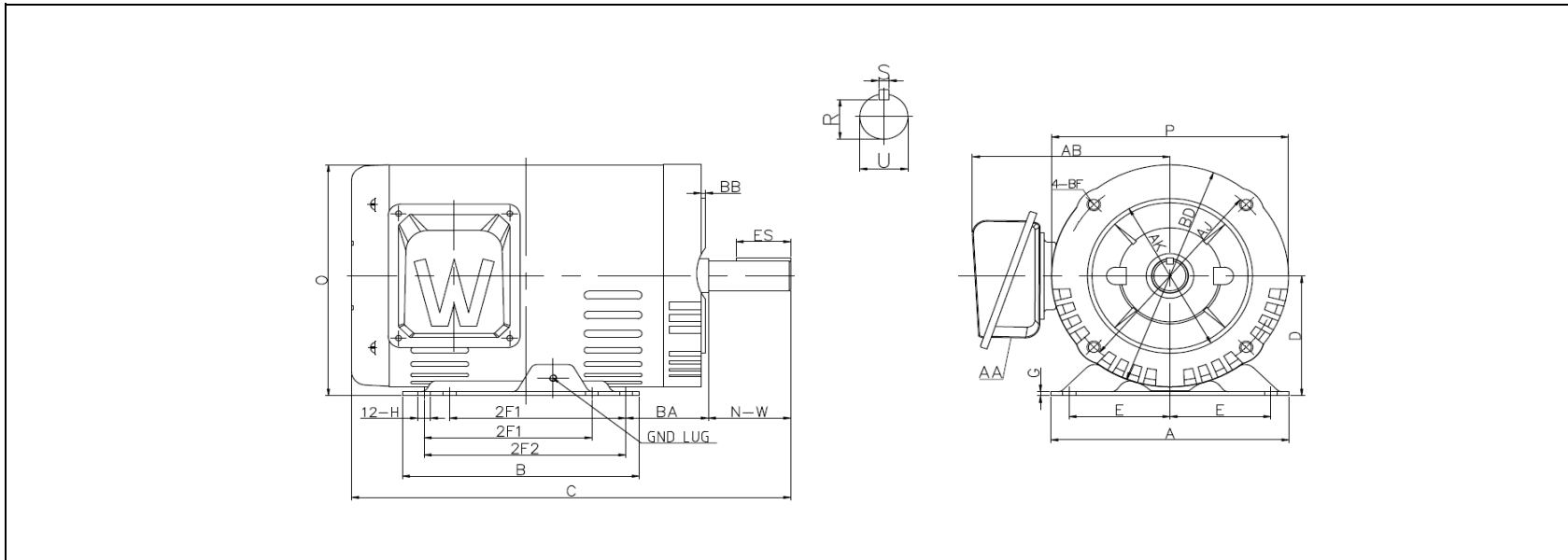
# MOTOR DRAWING

Premium Efficiency Motor: **ODP1-36-143TC**

WorldWide Electric Corporation

1 (800) 808-2131

Worldwideelectric.net



## DIMENSION - INCHES

| MOUNTING |     |     |      |      | A   | B   | C      | D   | G     | P   | O    | T  | AB    |
|----------|-----|-----|------|------|-----|-----|--------|-----|-------|-----|------|----|-------|
| E        | 2F1 | 2F2 | H    | BA   |     |     |        |     |       |     |      |    |       |
| 2.75     | 4   | 5   | 0.34 | 2.25 | 6.5 | 6.5 | 11.974 | 3.5 | 0.118 | 6.5 | 6.73 | -- | 5.384 |

| SHAFT & KEY |      |       |      |       |
|-------------|------|-------|------|-------|
| S           | ES   | R     | N-W  | U     |
| 0.188       | 1.41 | 0.771 | 2.25 | 0.875 |

| T-BOX | GND LUG |
|-------|---------|
| AA    | LUG     |
| 1.09  | M5*P0.8 |

| FLANGE |     |       |              |      |
|--------|-----|-------|--------------|------|
| AK     | BD  | AJ    | BF           | BB   |
| 4.5    | 6.5 | 5.875 | 4*3/8-16 UNC | 0.12 |

# PERFORMANCE CURVES

WorldWide Electric Corporation

1 (800) 808-2131

Worldwideelectric.net



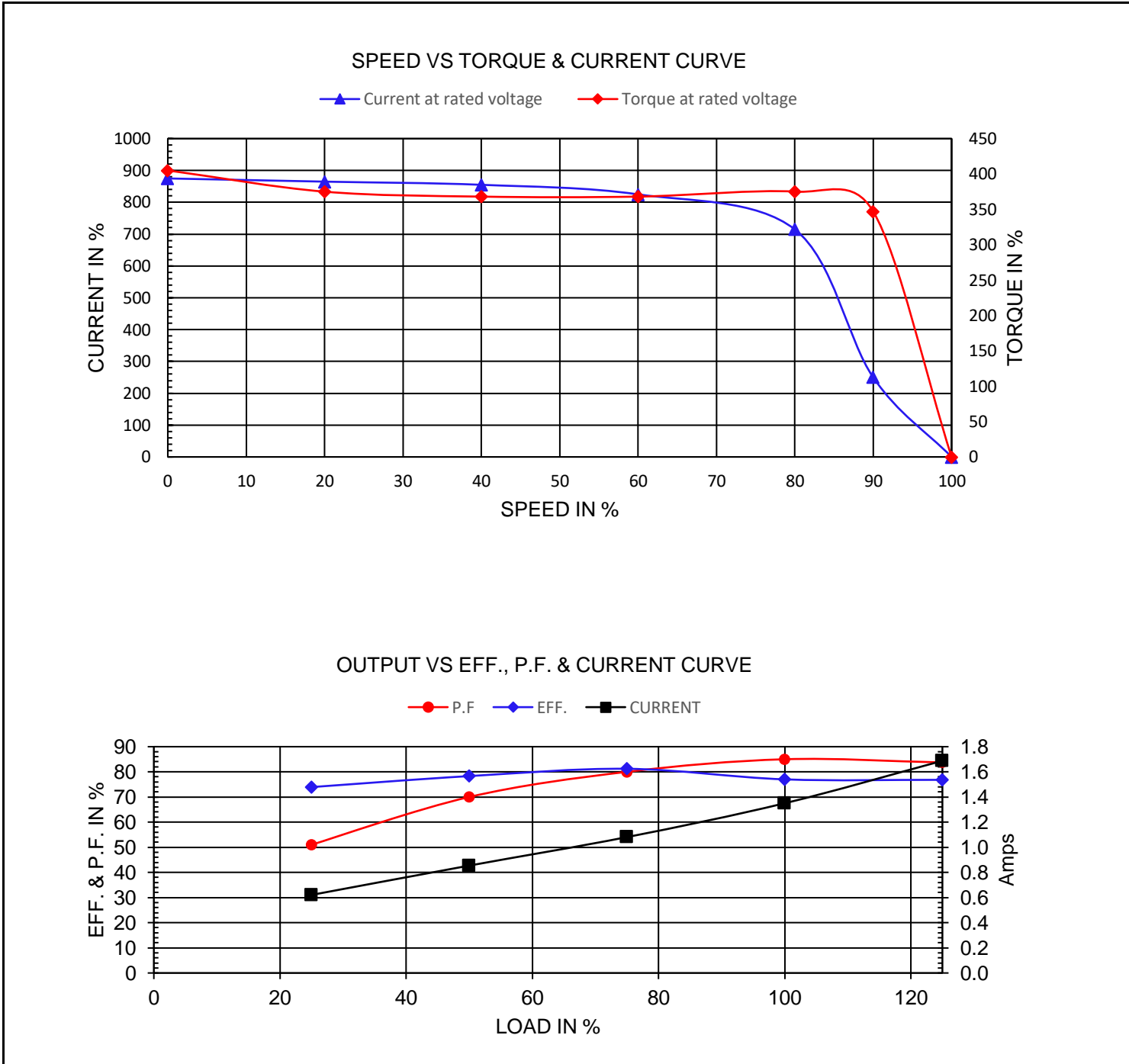
Premium Efficiency Motor:

**ODP1-36-143TC**

Document Generated: 11-Dec-2023  
Document ID:

Customer:

|                       |      |                    |            |      |                   |
|-----------------------|------|--------------------|------------|------|-------------------|
| Motor Type            | ODP  |                    |            |      |                   |
| Output Rating (HP)    | 1    |                    | FL Speed   | 3455 |                   |
| Full Load Torque      | 1.53 | lb.ft              | LRT (%FLT) | 405  | 460 volt FLA 1.35 |
| Rotor Wk <sup>2</sup> | 0.77 | lb-ft <sup>2</sup> | BDT (%FLT) | 347  | 230 volt FLA 2.7  |



# NAMEPLATE / WIRING

WorldWide Electric Corporation

1 (800) 808-2131

Worldwideelectric.net



Premium Efficiency Motor: **ODP1-36-143TC**

Document Generated: 11-Dec-2023  
Document ID:

Customer:

## SAMPLE NAMEPLATE DATA

|                                       |                    |  |                        |              |                     |                    |               |  |  |              |  |  |
|---------------------------------------|--------------------|--|------------------------|--------------|---------------------|--------------------|---------------|--|--|--------------|--|--|
|                                       |                    | <b>OPEN DRIP PROOF<br/>3 PHASE MOTOR</b> |                        |              |                     |                    |               |  |  |              |  |  |
| <b>Model :</b>                        |                    | <b>Encl : ODP</b>                        |                        | <b>SN :</b>  |                     |                    |               |  |  |              |  |  |
| <b>HP :</b>                           | <b>Poles :</b>     | <b>FR :</b>                              | <b>Ins : F</b>         | <b>IP 23</b> | <b>Max Amb 40°C</b> | <b>Duty : Cont</b> |               |  |  |              |  |  |
| <b>Hz : 60</b>                        | <b>CODE:</b>       |  | <b>Hz : 50</b>         |              | <b>Design : B</b>   |                    |               |  |  |              |  |  |
| <b>Volts : 230/460</b>                | <b>P.F. :</b>      |  | <b>Volts : 190/380</b> |              | <b>DE BRG :</b>     |                    |               |  |  |              |  |  |
| <b>Amps :</b>                         | <b>Eff : %</b>     |  | <b>Amps :</b>          |              | <b>ODE BRG :</b>    |                    |               |  |  |              |  |  |
| <b>RPM :</b>                          | <b>S.F. : 1.15</b> |  | <b>RPM :</b>           |              | <b>WT : LBS</b>     |                    | <b>Date :</b> |  |  |              |  |  |
| <b>WorldWide Electric Corporation</b> |                    |  |                        |              |                     |                    |               |  |  | <b>460 V</b> |  |  |

|                             |                   |                       |                        |                |  |  |  |  |  |  |  |
|-----------------------------|-------------------|-----------------------|------------------------|----------------|--|--|--|--|--|--|--|
| <b>Model:</b> ODP1-36-143TC |                   | <b>Encl:</b> ODP      |                        |                |  |  |  |  |  |  |  |
| <b>HP:</b> 1                | <b>Poles:</b> 2   | <b>Frame</b> 143/5TC  | <b>Ins Cl:</b> F       | <b>IP</b> IP23 |  |  |  |  |  |  |  |
| <b>Hz:</b> 60               | <b>Code:</b> L    | <b>Hz:</b> 50         | <b>Design:</b> B       |                |  |  |  |  |  |  |  |
| <b>Volts:</b> 230/460       | <b>P.F.:</b> 0.85 | <b>Volts:</b> 190/380 | <b>DE Brg:</b> 6205ZZ  |                |  |  |  |  |  |  |  |
| <b>Amps:</b> 2.7/1.35       | <b>Eff:</b> 77.0% | <b>Amps:</b> 3.2/1.6  | <b>ODE Brg:</b> 6204ZZ |                |  |  |  |  |  |  |  |
| <b>RPM:</b> 3455            | <b>S.F.:</b> 1.15 | <b>RPM:</b> 2874      | <b>WT:</b> 28.7 lbs.   |                |  |  |  |  |  |  |  |
|                             |                   | <b>S.F.:</b> 1.0      |                        |                |  |  |  |  |  |  |  |