

DATA SHEET

Premium Efficiency Motor: **ODP10-12-256T,**

60 Hz

WorldWide Electric Corporation

1 (800) 808-2131

Worldwideelectric.net



Document Generated: 8-Dec-2023
Document ID:

Customer:

MOTOR INFORMATION	
HP	10
RPM	1200
Phase	3
Frequency	60
Voltage	230/460
Frame Size	254/6T
Enclosure	ODP
Degree of Protection	IP23
Service Factor	1.15
Poles	6
Full Load Speed	1174
Insulation Class	F
Temp Rise	80°C
NEMA Code Letter	H
Duty Cycle	S1 / Continuous
Slip	2.18%
NEMA Design	B
Moment of Inertia	2.643 lb.ft.^2
Locked Rotor Time (Hot)	12 seconds
Sound Pressure Level	60 dB(A)
Number of Starts	2 Cold / 1 Hot
Max Ambient Temperature	40°C
Max Elevation	1000 m.a.s.l (3300 f.a.s.l)
Mounting	F1
Rotation	Bi-Directional
Area of Classification	Safe Area
Inverter Rating	10:1 CT / 20:1 VT
Standard	NEMA MG 1
Approvals	UL, CE

EFFICIENCY/POWER FACTOR		
LOAD	EFF	P. F.
100%	91.7 %	0.78
75%	92.2 %	0.73
50%	91.4 %	0.61

TORQUE		
FULL LOAD	LRT	BDT
45.04 lb.ft.	306 %	376 %

AMPERAGE INFORMATION		
	230V	460V
Full Load Amps	26.2A	13.1A
Locked Rotor Amps	169.2A	84.6A
No Load Current	12.2A	6.1A
Usable at 208V	14.49A	

BEARING INFORMATION	
DE Bearing	6309Z
ODE Bearing	6307Z
Grease Type	Mobil Polyrex EM
DE Regreasing Interval	2400 Hours
ODE Regreasing Interval	3600 Hours
Grease Quantity	13g/8g

ADDITIONAL DATA	
F2 Suitable	Yes
Shaft Material	AISI 1045
Connection Diagram	12 Lead Delta
Approximate Weight	230 lbs.

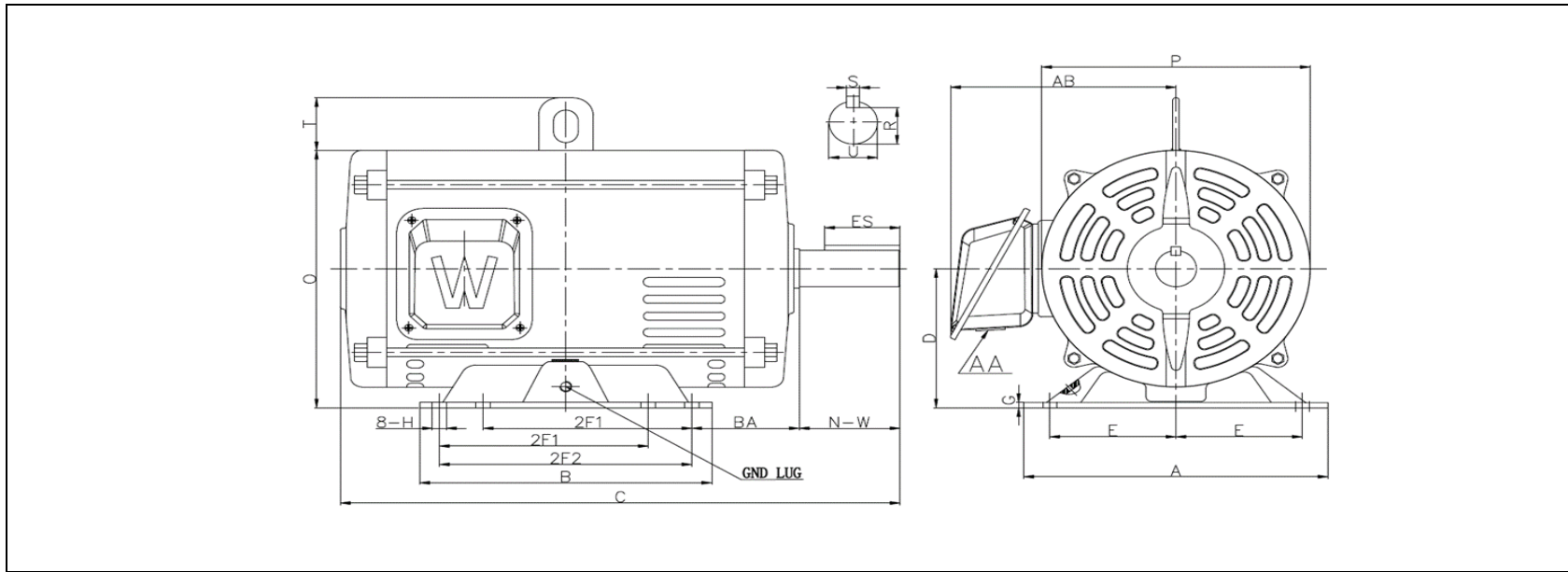
MOTOR DRAWING

Premium Efficiency Motor: **ODP10-12-256T**

WorldWide Electric Corporation

1 (800) 808-2131

Worldwideelectric.net



DIMENSION - INCHES

MOUNTING					A	B	C	D	G	P	O	T	AB
E	2F1	2F2	H	BA									
5	8.25	10	0.53	4.25	12.05	11.57	22.3	6.25	0.236	10.63	11.6	2.48	9.7

SHAFT & KEY				
S	ES	R	N-W	U
0.375	2.91	1.416	4	1.625

T-BOX	GND LUG
AA	
1.38	M6*P1.0

PERFORMANCE CURVES

WorldWide Electric Corporation

1 (800) 808-2131

Worldwideelectric.net

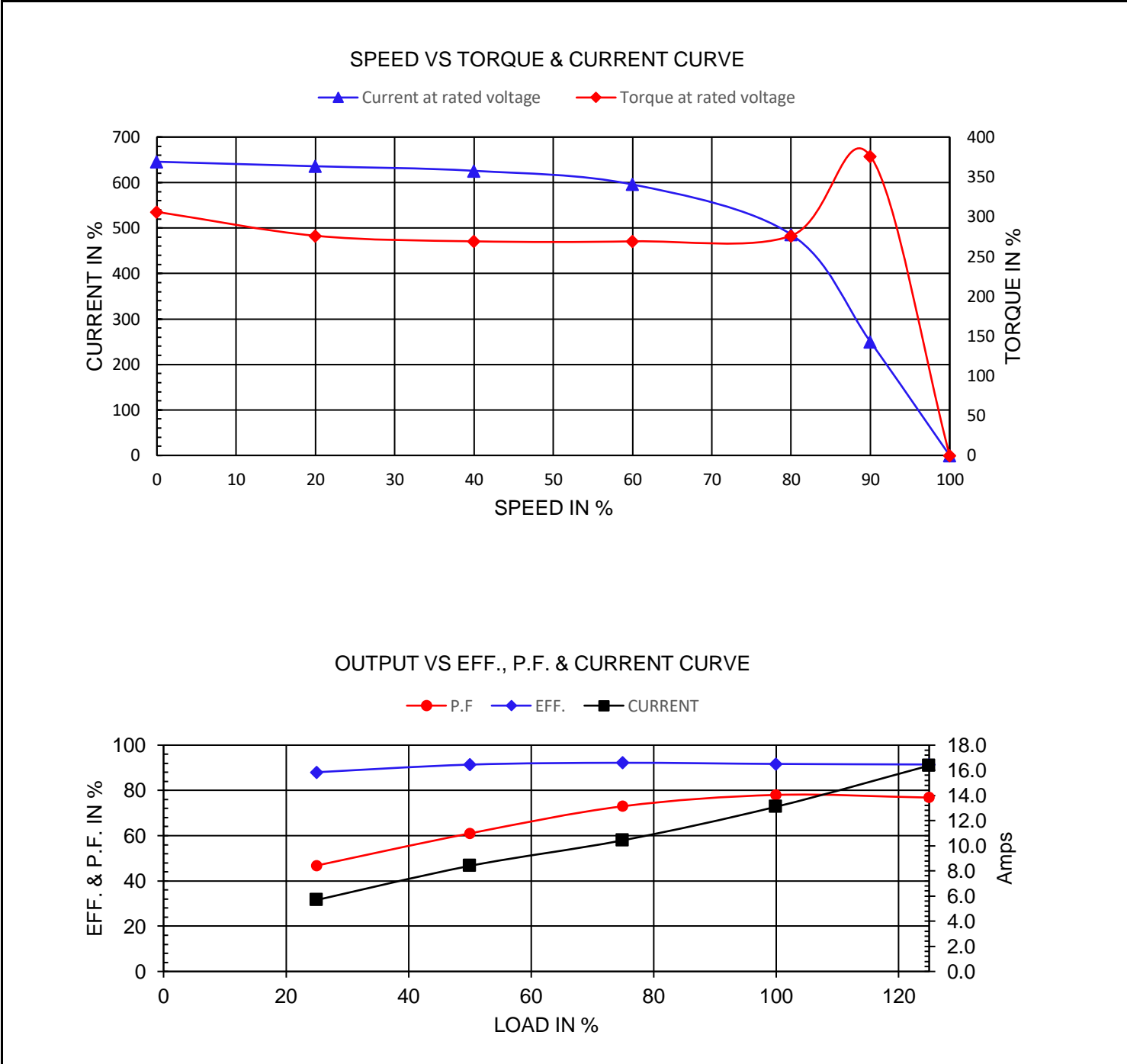


Premium Efficiency Motor:

ODP10-12-256T

Document Generated: 8-Dec-2023	Customer:
Document ID:	

Motor Type	ODP		FL Speed	1174	
Output Rating (HP)	10		LRT (%FLT)	306	
Full Load Torque	45.04 lb.ft		460 volt FLA	13.1	
Rotor Wk ²	0.917 lb-ft ²		230 volt FLA	26.2	
			BDT (%FLT)	376	



NAMEPLATE / WIRING

WorldWide Electric Corporation

1 (800) 808-2131

Worldwideelectric.net



Premium Efficiency Motor: **ODP10-12-256T**

Document Generated: 8-Dec-2023
Document ID:

Customer:

SAMPLE NAMEPLATE DATA

		OPEN DRIP PROOF 3 PHASE MOTOR							
Model :		Encl : ODP		SN :					
HP :	Poles :	FR :	Ins : F	IP 23	Max Amb 40°C	Duty:Cont			
Hz : 60	CODE:		Hz : 50	Design : B		L1 L2 L3 230 V			
Volts : 230/460	P.F. :		Volts : 190/380	DE BRG :		L1 L2 L3 460 V			
Amps :	Eff: %		Amps :	ODE BRG :					
RPM :	S.F. : 1.15		RPM :	WT: LBS		L1 L2 L3			
							Date:		
WorldWide Electric Corporation									

Model: ODP10-12-256T		Encl: ODP					
HP: 10	Poles: 6	Frame 254/6T	Ins Cl: F	IP IP23			
Hz: 60	Code: H	Hz: 50	Design: B				
Volts: 230/460	P.F.: 0.78	Volts: 190/380	DE Brg: 6309Z				
Amps: 26.2/13.1	Eff: 91.7%	Amps: 31.4/15.7	ODE Brg: 6307Z				
RPM: 1174	S.F.: 1.15	RPM: 964	WT: 230 lbs.				
		S.F.: 1.0					