

DATA SHEET

Premium Efficiency Motor: **ODP10-18-215T-GR,**

60 Hz

WorldWide Electric Corporation

1 (800) 808-2131

Worldwideelectric.net



Document Generated: 8-Dec-2023
Document ID:

Customer:

MOTOR INFORMATION	
HP	10
RPM	1800
Phase	3
Frequency	60
Voltage	230/460
Frame Size	213/5T
Enclosure	ODP
Degree of Protection	IP23
Service Factor	1.15
Poles	4
Full Load Speed	1757
Insulation Class	F
Temp Rise	80°C
NEMA Code Letter	H
Duty Cycle	S1 / Continuous
Slip	2.62%
NEMA Design	B
Moment of Inertia	1.221 lb.ft.^2
Locked Rotor Time (Hot)	12 seconds
Sound Pressure Level	62 dB(A)
Number of Starts	2 Cold / 1 Hot
Max Ambient Temperature	40°C
Max Elevation	1000 m.a.s.l (3300 f.a.s.l)
Mounting	F1
Rotation	Bi-Directional
Area of Classification	Safe Area
Inverter Rating	10:1 CT / 20:1 VT
Standard	NEMA MG 1
Approvals	UL, CE

EFFICIENCY/POWER FACTOR		
LOAD	EFF	P. F.
100%	91.7 %	0.81
75%	91.4 %	0.80
50%	90.6 %	0.7

TORQUE		
FULL LOAD	LRT	BDT
30.14 lb.ft.	323 %	334 %

AMPERAGE INFORMATION		
	230V	460V
Full Load Amps	25.6A	12.8A
Locked Rotor Amps	160.8A	80.4A
No Load Current	10.24A	5.12A
Usable at 208V	14.15A	

BEARING INFORMATION	
DE Bearing	6308ZZ
ODE Bearing	6306ZZ
Grease Type	NSK SN7
DE Regreasing Interval	-- Hours
ODE Regreasing Interval	-- Hours
Grease Quantity	--

ADDITIONAL DATA	
F2 Suitable	No
Shaft Material	AISI 1045
Connection Diagram	9 Lead Wye
Approximate Weight	156 lbs.

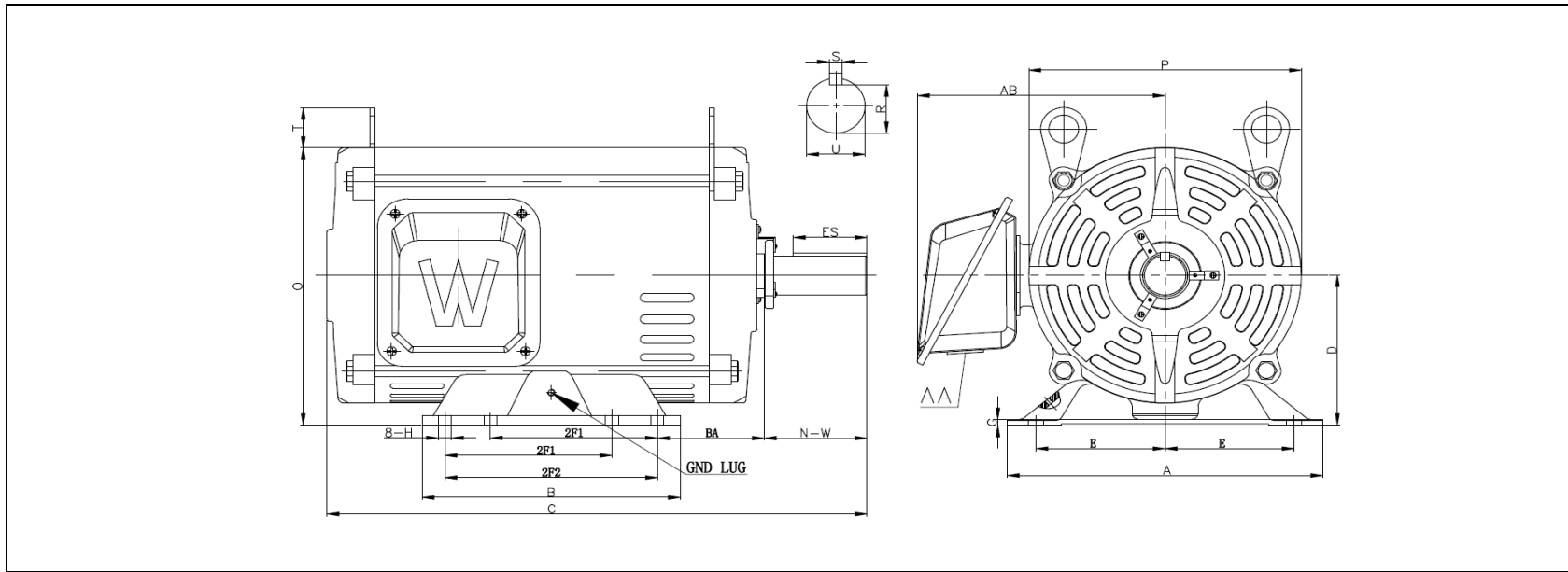
MOTOR DRAWING

Premium Efficiency Motor: **ODP10-18-215T-GR**

WorldWide Electric Corporation

1 (800) 808-2131

Worldwideelectric.net



DIMENSION - INCHES

MOUNTING					A	B	C	D	G	P	O	T	AB
E	2F1	2F2	H	BA									
4.25	5.5	7	0.43	3.5	9.69	8.19	17.8	5.25	0.16	9.4	9.8	1.5	8.16

SHAFT & KEY				
S	ES	R	N-W	U
0.31	2.41	1.201	3.38	1.375

T-BOX	GND LUG
AA	
1.38	M6*P1.0

PERFORMANCE CURVES

WorldWide Electric Corporation

1 (800) 808-2131

Worldwideelectric.net



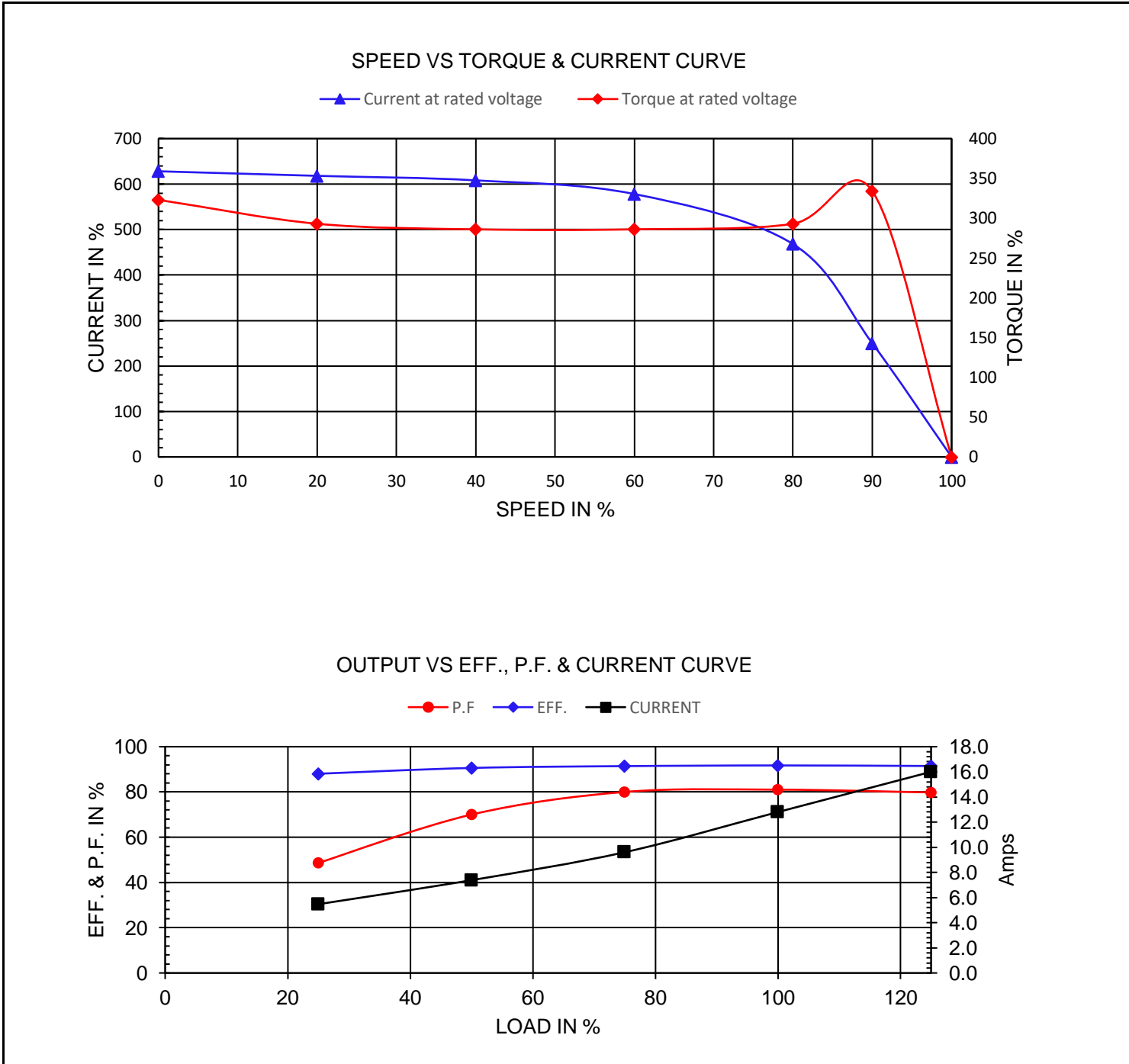
Premium Efficiency Motor:

ODP10-18-215T-GR

Document Generated: 8-Dec-2023
Document ID:

Customer:

Motor Type	ODP		FL Speed	1757	
Output Rating (HP)	10		LRT (%FLT)	323	460 volt FLA 12.8
Full Load Torque	30.14	lb.ft	BDT (%FLT)	334	230 volt FLA 25.6
Rotor Wk ²	0.917	lb-ft ²			



NAMEPLATE / WIRING

WorldWide Electric Corporation

1 (800) 808-2131

Worldwideelectric.net



Premium Efficiency Motor: **ODP10-18-215T-GR**

Document Generated: 8-Dec-2023
Document ID:

Customer:

SAMPLE NAMEPLATE DATA

		OPEN DRIP PROOF 3 PHASE MOTOR									
Model :		Encl : ODP		SN :							
HP :	Poles :	FR :	Ins : F	IP 23	Max Amb 40°C	Duty : Cont					
Hz : 60		CODE:		Hz : 50		Design : B					
Volts : 230/460		P.F. :		Volts : 190/380		DE BRG :					
Amps :		Eff: %		Amps :		ODE BRG :					
RPM :		S.F. : 1.15		RPM :		WT: LBS					
				S.F. :		Date :					
WorldWide Electric Corporation											

Model: ODP10-18-215T-GR		Encl: ODP							
HP: 10	Poles: 4	Frame 213/5T	Ins Cl: F	IP IP23					
Hz: 60	Code: H	Hz: 50	Design: B						
Volts: 230/460	P.F.: 0.81	Volts: 190/380	DE Brg: 6308ZZ						
Amps: 25.6/12.8	Eff: 91.7%	Amps: 29.4/14.7	ODE Brg: 6306ZZ						
RPM: 1757	S.F.: 1.15	RPM: 1455	WT: 156 lbs.						
		S.F.: 1.0							