

DATA SHEET

Premium Efficiency Motor: **ODP100-18-404TC,**

60 Hz

WorldWide Electric Corporation

1 (800) 808-2131

Worldwideelectric.net



Document Generated: 11-Dec-2023
Document ID:

Customer:

MOTOR INFORMATION	
HP	100
RPM	1800
Phase	3
Frequency	60
Voltage	230/460
Frame Size	404/5TC
Enclosure	ODP
Degree of Protection	IP23
Service Factor	1.15
Poles	4
Full Load Speed	1785
Insulation Class	F
Temp Rise	80°C
NEMA Code Letter	E
Duty Cycle	S1 / Continuous
Slip	0.81%
NEMA Design	B
Moment of Inertia	23.76 lb.ft.^2
Locked Rotor Time (Hot)	12 seconds
Sound Pressure Level	80 dB(A)
Number of Starts	2 Cold / 1 Hot
Max Ambient Temperature	40°C
Max Elevation	1000 m.a.s.l (3300 f.a.s.l)
Mounting	F1
Rotation	Bi-Directional
Area of Classification	Safe Area
Inverter Rating	10:1 CT / 20:1 VT
Standard	NEMA MG 1
Approvals	UL, CE

EFFICIENCY/POWER FACTOR		
LOAD	EFF	P. F.
100%	95.4 %	0.86
75%	95.5 %	0.85
50%	95.0 %	0.79

TORQUE		
FULL LOAD	LRT	BDT
294.7 lb.ft.	192 %	253 %

AMPERAGE INFORMATION		
	230V	460V
Full Load Amps	229.6A	114.8A
Locked Rotor Amps	1209.6A	604.8A
No Load Current	64.8A	32.4A
Usable at 208V	126.94A	

BEARING INFORMATION	
DE Bearing	6316
ODE Bearing	6313
Grease Type	Mobil Polyrex EM
DE Regreasing Interval	2400 Hours
ODE Regreasing Interval	3600 Hours
Grease Quantity	26g/12g

ADDITIONAL DATA	
F2 Suitable	Yes
Shaft Material	AISI 1045
Connection Diagram	12 Lead Delta
Approximate Weight	1034 lbs.

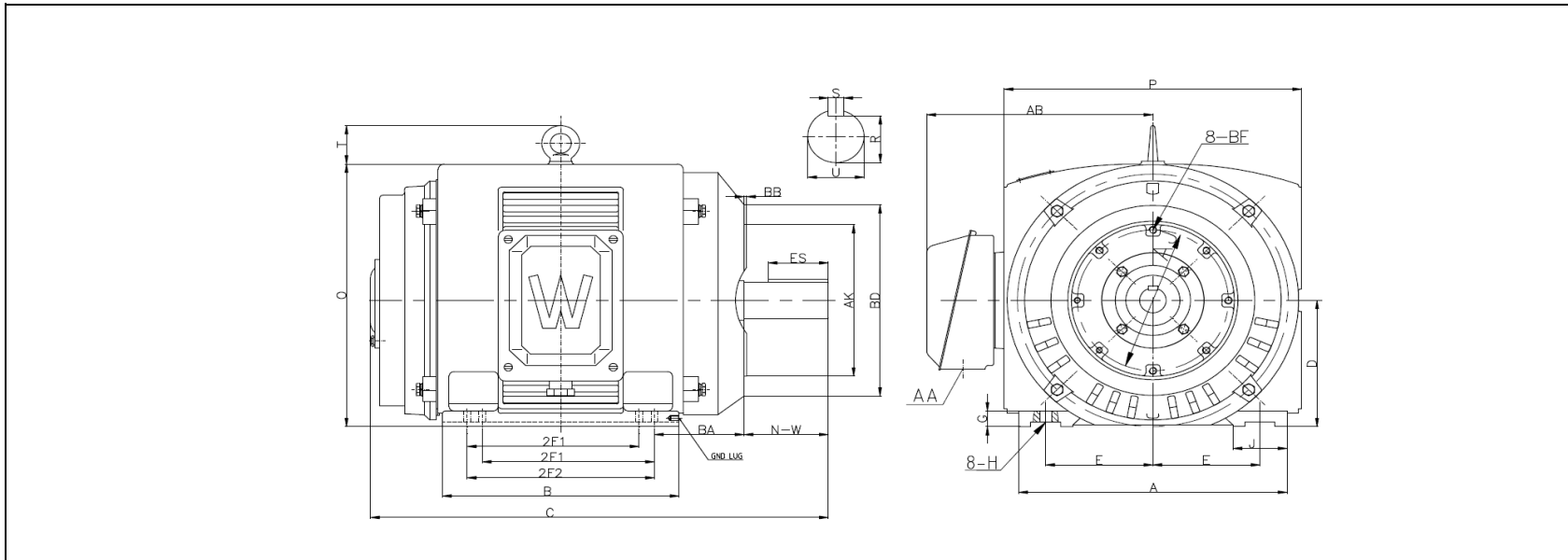
MOTOR DRAWING

Premium Efficiency Motor: **ODP100-18-404TC**

WorldWide Electric Corporation

1 (800) 808-2131

Worldwideelectric.net



DIMENSION - INCHES

MOUNTING					A	B	C	D	G	P	O	T	AB
E	2F1	2F2	H	BA									
8	12.25	13.75	0.81	6.62	20	17.6	33.7	10	1.18	21.3	20.3	3	16.93

SHAFT & KEY				
S	ES	R	N-W	U
0.75	5.65	2.45	7.25	2.875

T-BOX	GND LUG
AA	
3	M12*P1.75

FLANGE				
AK	BD	AJ	BF	BB
12.5	15.5	11	8*5/8-11 UNC	0.25

PERFORMANCE CURVES

WorldWide Electric Corporation

1 (800) 808-2131

Worldwideelectric.net



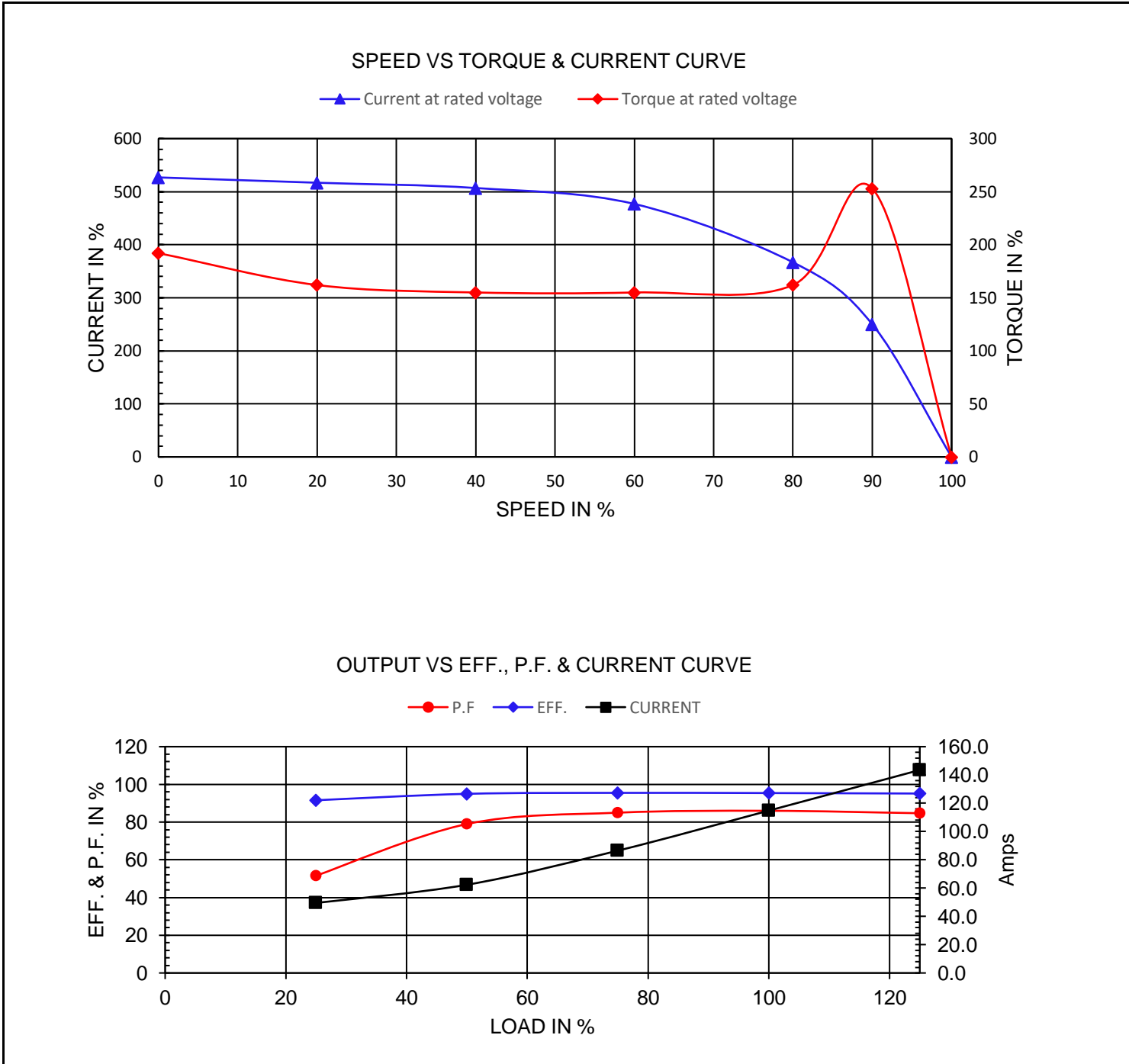
Premium Efficiency Motor:

ODP100-18-404TC

Document Generated: 11-Dec-2023
Document ID:

Customer:

Motor Type	ODP				
Output Rating (HP)	100	FL Speed	1785		
Full Load Torque	294.7 lb.ft	LRT (%FLT)	192	460 volt FLA	114.8
Rotor Wk ²	0.954 lb-ft ²	BDT (%FLT)	253	230 volt FLA	229.6



NAMEPLATE / WIRING

WorldWide Electric Corporation

1 (800) 808-2131

Worldwideelectric.net



Premium Efficiency Motor: **ODP100-18-404TC**

Document Generated: 11-Dec-2023
Document ID:

Customer:

SAMPLE NAMEPLATE DATA

		OPEN DRIP PROOF 3 PHASE MOTOR							
CC306B									
Model :		Encl : ODP		SN :					
HP :	Poles :	FR :	Ins : F	IP23	Max Amb 40°C	Duty:Cont			
Hz : 60	CODE :	Hz : 50	Design : B				7	8	9
Volts : 230/460	P.F. :	Volts : 190/380	DE BRG :				6	4	5
Amps :	Eff : %	Amps :	ODE BRG :				12	10	11
RPM :	S.F. : 1.15	RPM :	WT : LBS				1	2	3
		S.F. : 1.0	Date :				L1	L2	L3
WorldWide Electric Corporation									
						230 V			
						460 V			

Model:	ODP100-18-404TC	Encl:	ODP						
HP:	100	Poles:	4	Frame	404/5TC	Ins Cl:	F	IP	IP23
Hz:	60	Code:	E	Hz:	50	Design:	B		
Volts:	230/460	P.F.:	0.86	Volts:	190/380	DE Brg:	6316		
Amps:	229.6/114.8	Eff:	95.4%	Amps:	281.2/140.6	ODE Brg:	6313		
RPM:	1785	S.F.:	1.15	RPM:	1484	WT:	1034 lbs.		
				S.F.:	1.0				