

DATA SHEET

Premium Efficiency Motor: **ODP100-36-365TS,**

60 Hz

WorldWide Electric Corporation

1 (800) 808-2131

Worldwideelectric.net



Document Generated: 8-Dec-2023
Document ID:

Customer:

MOTOR INFORMATION	
HP	100
RPM	3600
Phase	3
Frequency	60
Voltage	230/460
Frame Size	364/5TS
Enclosure	ODP
Degree of Protection	IP23
Service Factor	1.15
Poles	2
Full Load Speed	3562
Insulation Class	F
Temp Rise	80°C
NEMA Code Letter	F
Duty Cycle	S1 / Continuous
Slip	1.07%
NEMA Design	B
Moment of Inertia	7.508 lb.ft.^2
Locked Rotor Time (Hot)	12 seconds
Sound Pressure Level	87 dB(A)
Number of Starts	2 Cold / 1 Hot
Max Ambient Temperature	40°C
Max Elevation	1000 m.a.s.l (3300 f.a.s.l)
Mounting	F1
Rotation	Bi-Directional
Area of Classification	Safe Area
Inverter Rating	10:1 CT / 20:1 VT
Standard	NEMA MG 1
Approvals	UL, CE

EFFICIENCY/POWER FACTOR		
LOAD	EFF	P. F.
100%	93.6 %	0.9
75%	95.3 %	0.89
50%	95.0 %	0.86

TORQUE		
FULL LOAD	LRT	BDT
148 lb.ft.	244 %	274 %

AMPERAGE INFORMATION		
	230V	460V
Full Load Amps	221.2A	110.6A
Locked Rotor Amps	1354.8A	677.4A
No Load Current	45.4A	22.7A
Usable at 208V	122.3A	

BEARING INFORMATION	
DE Bearing	6314
ODE Bearing	6212
Grease Type	Mobil Polyrex EM
DE Regreasing Interval	2400 Hours
ODE Regreasing Interval	3600 Hours
Grease Quantity	26g/12g

ADDITIONAL DATA	
F2 Suitable	Yes
Shaft Material	AISI 1045
Connection Diagram	12 Lead Delta
Approximate Weight	812 lbs.

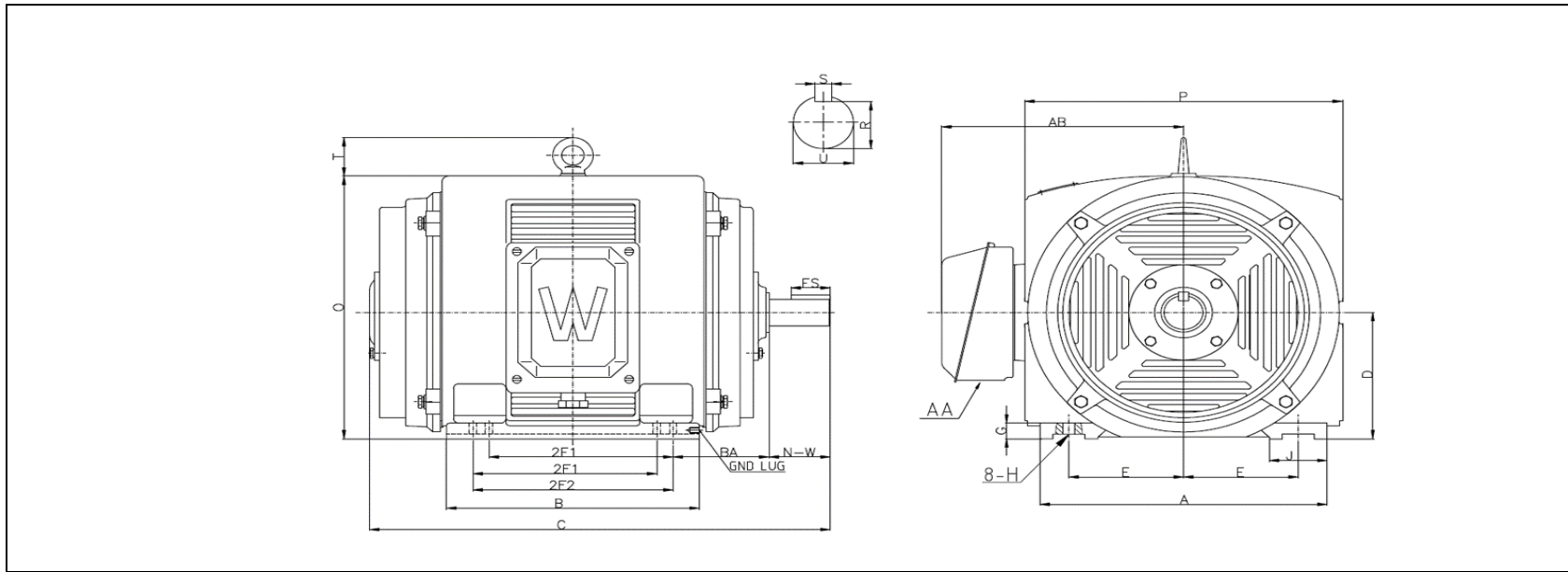
MOTOR DRAWING

Premium Efficiency Motor: **ODP100-36-365TS**

WorldWide Electric Corporation

1 (800) 808-2131

Worldwideelectric.net



DIMENSION - INCHES

MOUNTING					A	B	C	D	G	P	O	T	AB
E	2F1	2F2	H	BA									
7	11.25	12.25	0.66	5.88	17.6	15.51	28.8	9	1.1	19.48	18.5	2.7	14.8

SHAFT & KEY				
S	ES	R	N-W	U
0.5	2.03	1.591	3.75	1.875

T-BOX	GND LUG
AA	
3	M10*P1.5

PERFORMANCE CURVES

WorldWide Electric Corporation

1 (800) 808-2131

Worldwideelectric.net



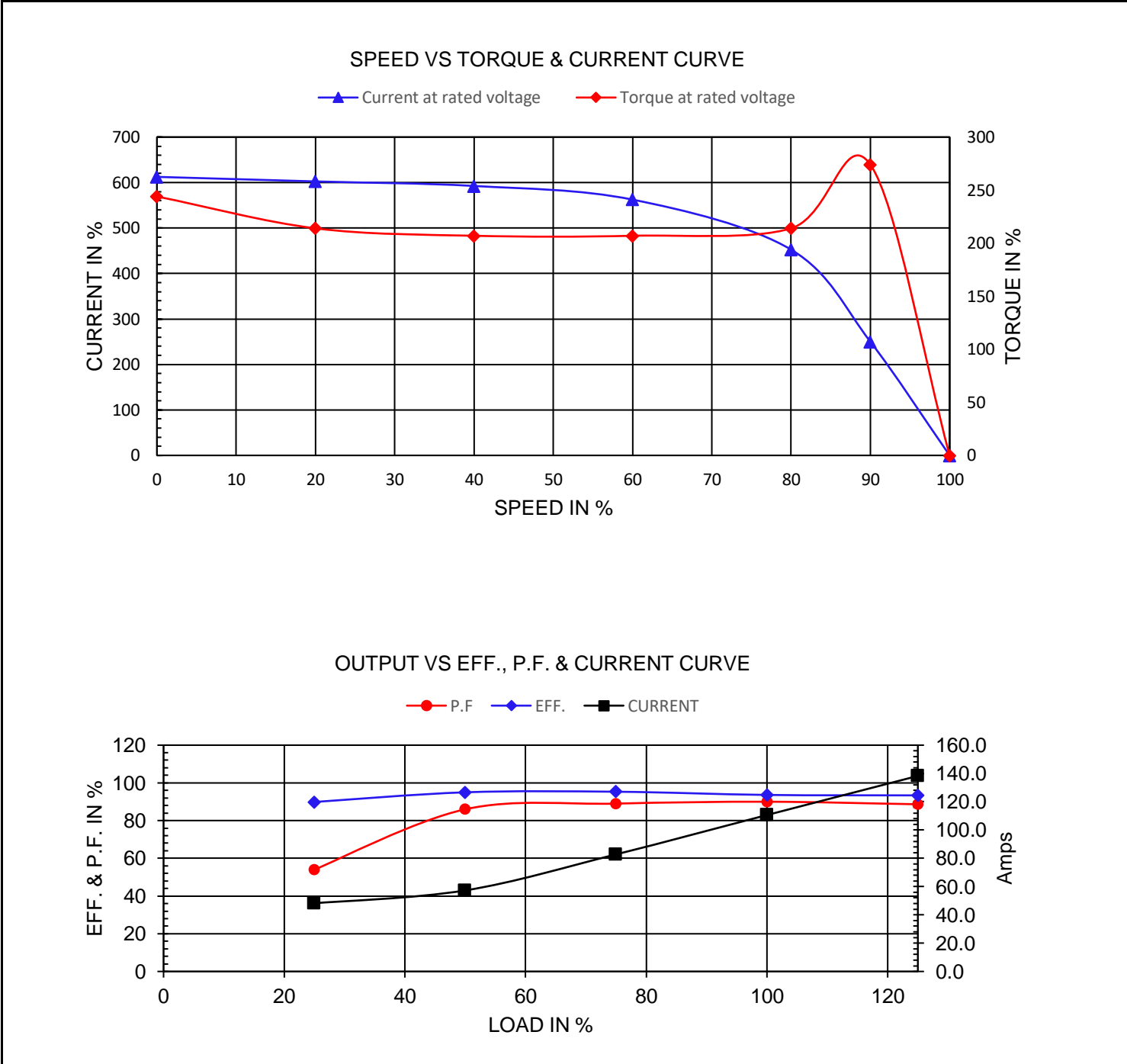
Premium Efficiency Motor:

ODP100-36-365TS

Document Generated: 8-Dec-2023
Document ID:

Customer:

Motor Type	ODP				
Output Rating (HP)	100		FL Speed	3562	
Full Load Torque	148 lb.ft		LRT (%FLT)	244	460 volt FLA 110.6
Rotor Wk ²	0.936 lb-ft ²		BDT (%FLT)	274	230 volt FLA 221.2



NAMEPLATE / WIRING

WorldWide Electric Corporation

1 (800) 808-2131

Worldwideelectric.net



Premium Efficiency Motor: **ODP100-36-365TS**

Document Generated: 8-Dec-2023
Document ID:

Customer:

SAMPLE NAMEPLATE DATA

		OPEN DRIP PROOF 3 PHASE MOTOR						
Model :		Encl : ODP		SN :				
HP :	Poles :	FR :	Ins : F	IP23	Max Amb 40°C	Duty:Cont		
Hz : 60	CODE :		Hz : 50		Design : B			
Volts : 230/460	P.F. :		Volts : 190/380		DE BRG :			
Amps :	Eff: %		Amps :		ODE BRG :			
RPM :	S.F. : 1.15		RPM :		WT : LBS			
				S.F. : 1.0		Date :		
WorldWide Electric Corporation								460 V

Model: ODP100-36-365TS		Encl: ODP					
HP: 100	Poles: 2	Frame 364/5TS	Ins Cl: F	IP IP23			
Hz: 60	Code: F	Hz: 50	Design: B				
Volts: 230/460	P.F.: 0.9	Volts: 190/380	DE Brg: 6314				
Amps: 221.2/110.6	Eff: 93.6%	Amps: 273/136.5	ODE Brg: 6212				
RPM: 3562	S.F.: 1.15	RPM: 2946	WT: 812 lbs.				
		S.F.: 1.0					