

DATA SHEET

Premium Efficiency Motor: **ODP12-36-56CB,**

60 Hz

WorldWide Electric Corporation

1 (800) 808-2131

Worldwideelectric.net



Document Generated: 11-Dec-2023
Document ID:

Customer:

MOTOR INFORMATION	
HP	0.5
RPM	3600
Phase	3
Frequency	60
Voltage	230/460
Frame Size	56CB
Enclosure	ODP
Degree of Protection	IP23
Service Factor	1.15
Poles	2
Full Load Speed	3440
Insulation Class	F
Temp Rise	80°C
NEMA Code Letter	K
Duty Cycle	S1 / Continuous
Slip	4.46%
NEMA Design	B
Moment of Inertia	0.032 lb.ft.^2
Locked Rotor Time (Hot)	12 seconds
Sound Pressure Level	56 dB(A)
Number of Starts	2 Cold / 1 Hot
Max Ambient Temperature	40°C
Max Elevation	1000 m.a.s.l (3300 f.a.s.l)
Mounting	F1
Rotation	Bi-Directional
Area of Classification	Safe Area
Inverter Rating	10:1 CT / 20:1 VT
Standard	NEMA MG 1
Approvals	UL, CE

EFFICIENCY/POWER FACTOR		
LOAD	EFF	P. F.
100%	73.4 %	0.81
75%	78.4 %	0.74
50%	74.9 %	0.62

TORQUE		
FULL LOAD	LRT	BDT
0.76 lb.ft.	331 %	380 %

AMPERAGE INFORMATION		
	230V	460V
Full Load Amps	1.46A	0.73A
Locked Rotor Amps	10.54A	5.27A
No Load Current	0.8A	0.4A
Usable at 208V	0.81A	

BEARING INFORMATION	
DE Bearing	6203ZZ
ODE Bearing	6203ZZ
Grease Type	NSK SN7
DE Regreasing Interval	-- Hours
ODE Regreasing Interval	-- Hours
Grease Quantity	--

ADDITIONAL DATA	
F2 Suitable	No
Shaft Material	AISI 1045
Connection Diagram	9 Lead Wye
Approximate Weight	22 lbs.

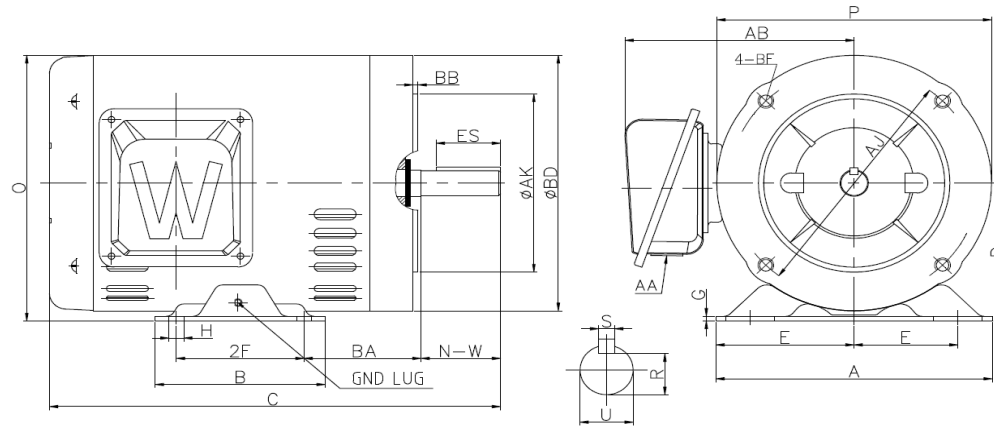
MOTOR DRAWING

Premium Efficiency Motor: **ODP12-36-56CB**

WorldWide Electric Corporation

1 (800) 808-2131

Worldwideelectric.net



DIMENSION - INCHES

MOUNTING					A	B	C	D	G	P	O	T	AB
E	2F1	2F2	H	BA									
2.44	3	--	0.34	2.75	6.49	3.99	10.6	3.5	0.118	6.5	6.71	--	5.7

SHAFT & KEY				
S	ES	R	N-W	U
0.188	1.41	0.517	1.88	6.25

T-BOX	GND LUG
AA	M5*P0.8
0.88	

FLANGE				
AK	BD	AJ	BF	BB
4.5	6.5	5.875	4*3/8-16 UNC	0.12

PERFORMANCE CURVES

Premium Efficiency Motor:

ODP12-36-56CB

WorldWide Electric Corporation

1 (800) 808-2131

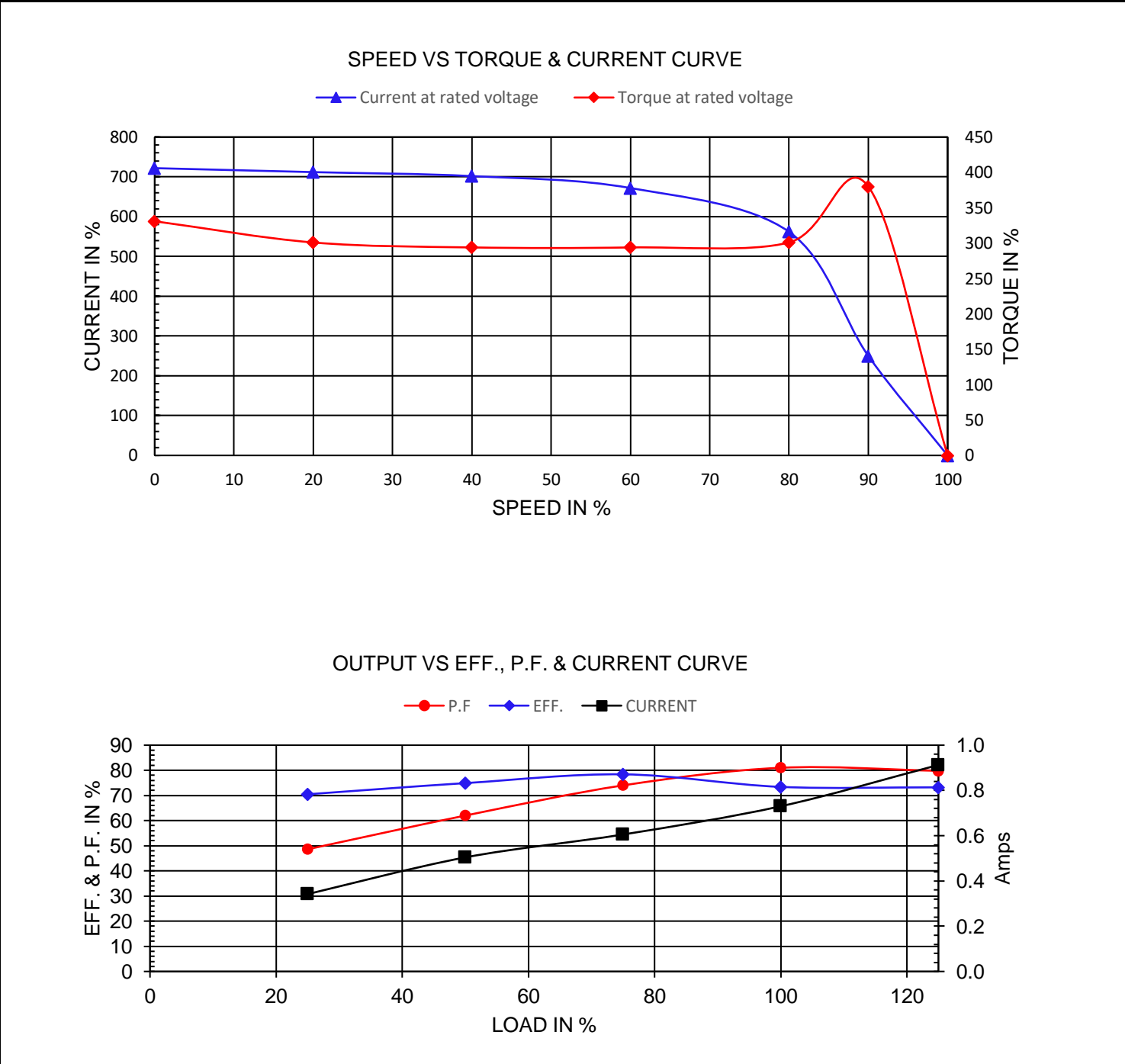
Worldwideelectric.net



Document Generated: 11-Dec-2023
Document ID:

Customer:

Motor Type	ODP		FL Speed	3440	
Output Rating (HP)	0.5		LRT (%FLT)	331	
Full Load Torque	0.76	lb.ft	460 volt FLA	0.73	
Rotor Wk ²	0.734	lb-ft ²	230 volt FLA	1.46	
			BDT (%FLT)	380	



NAMEPLATE / WIRING

WorldWide Electric Corporation

1 (800) 808-2131

Worldwideelectric.net



Premium Efficiency Motor: **ODP12-36-56CB**

Document Generated: 11-Dec-2023
Document ID:

Customer:

SAMPLE NAMEPLATE DATA

		OPEN DRIP PROOF 3 PHASE MOTOR						
		Model :	Encl : ODP	SN :				
HP :	Poles :	FR : 56C	Ins : F	IP 23	Max Amb 40°C	Duty : Cont		
Hz : 60	CODE :		Hz : 50	Design : B				
Volts : 230/460	P.F. :		Volts : 190/380	DE BRG :				
Amps :	Eff :		Amps :	ODE BRG :				
RPM :	S.F. : 1.15		RPM :	WT : LBS	Date :			
WorldWide Electric Corporation								

Model: ODP12-36-56CB		Encl: ODP			
HP: 0.5	Poles: 2	Frame 56CB	Ins Cl: F	IP IP23	
Hz: 60	Code: K	Hz: 50	Design: B		
Volts: 230/460	P.F.: 0.81	Volts: 190/380	DE Brg: 6203ZZ		
Amps: 1.46/0.73	Eff: 73.4%	Amps: 1.7/0.86	ODE Brg: 6203ZZ		
RPM: 3440	S.F.: 1.15	RPM: 2860	WT: 22 lbs.		
		S.F.: 1.0			