

# DATA SHEET

Premium Efficiency Motor: **ODP125-18-405TC,**

**60 Hz**

WorldWide Electric Corporation

1 (800) 808-2131

Worldwideelectric.net



Document Generated: 11-Dec-2023  
Document ID:

Customer:

MOTOR INFORMATION	
HP	125
RPM	1800
Phase	3
Frequency	60
Voltage	230/460
Frame Size	404/5TC
Enclosure	ODP
Degree of Protection	IP23
Service Factor	1.15
Poles	4
Full Load Speed	1788
Insulation Class	F
Temp Rise	80°C
NEMA Code Letter	E
Duty Cycle	S1 / Continuous
Slip	0.70%
NEMA Design	B
Moment of Inertia	29.366 lb.ft.^2
Locked Rotor Time (Hot)	12 seconds
Sound Pressure Level	81 dB(A)
Number of Starts	2 Cold / 1 Hot
Max Ambient Temperature	40°C
Max Elevation	1000 m.a.s.l (3300 f.a.s.l)
Mounting	F1
Rotation	Bi-Directional
Area of Classification	Safe Area
Inverter Rating	10:1 CT / 20:1 VT
Standard	NEMA MG 1
Approvals	UL, CE

EFFICIENCY/POWER FACTOR		
LOAD	EFF	P. F.
100%	95.4 %	0.87
75%	95.9 %	0.85
50%	95.6 %	0.79

TORQUE		
FULL LOAD	LRT	BDT
353.1 lb.ft.	230 %	275 %

AMPERAGE INFORMATION		
	230V	460V
Full Load Amps	272.4A	136.2A
Locked Rotor Amps	1560.4A	780.2A
No Load Current	78.8A	39.4A
Usable at 208V	150.61A	

BEARING INFORMATION	
DE Bearing	6316
ODE Bearing	6313
Grease Type	Mobil Polyrex EM
DE Regreasing Interval	2400 Hours
ODE Regreasing Interval	3600 Hours
Grease Quantity	26g/12g

ADDITIONAL DATA	
F2 Suitable	Yes
Shaft Material	AISI 1045
Connection Diagram	12 Lead Delta
Approximate Weight	1085 lbs.

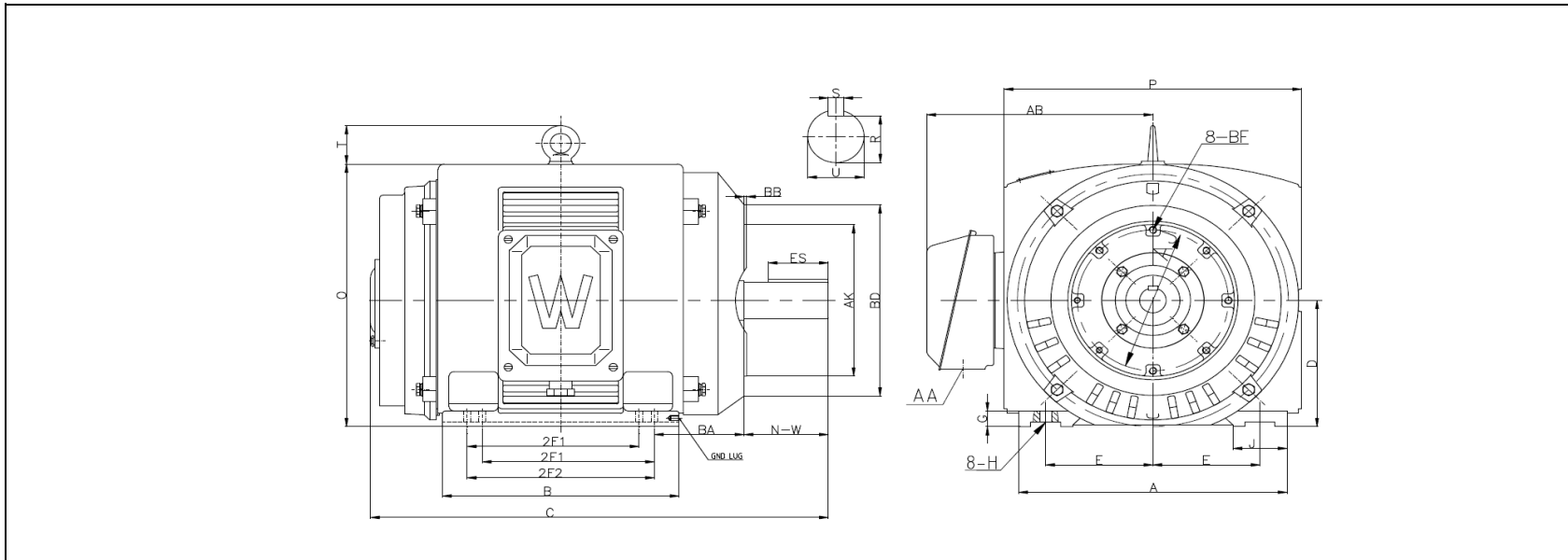
# MOTOR DRAWING

Premium Efficiency Motor: **ODP125-18-405TC**

WorldWide Electric Corporation

1 (800) 808-2131

Worldwideelectric.net



## DIMENSION - INCHES

MOUNTING					A	B	C	D	G	P	O	T	AB
E	2F1	2F2	H	BA									
8	12.25	13.75	0.81	6.62	20	17.6	33.7	10	1.18	21.3	20.3	3	16.93

SHAFT & KEY				
S	ES	R	N-W	U
0.75	5.65	2.45	7.25	2.875

T-BOX	GND LUG
AA	
3	M12*P1.75

FLANGE				
AK	BD	AJ	BF	BB
12.5	15.5	11	8*5/8-11 UNC	0.25

# PERFORMANCE CURVES

Premium Efficiency Motor:

**ODP125-18-405TC**

WorldWide Electric Corporation

1 (800) 808-2131

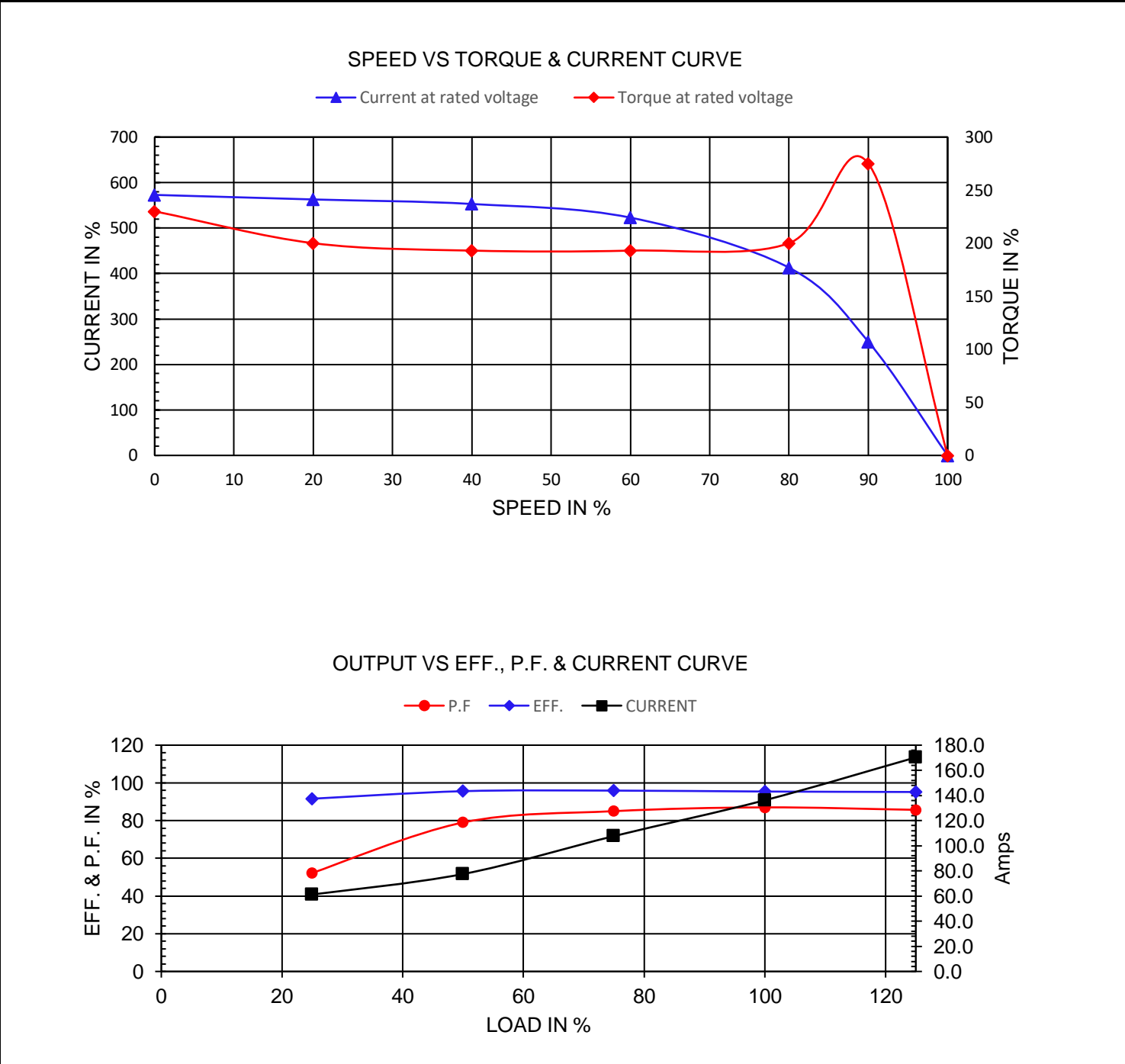
Worldwideelectric.net



Document Generated: 11-Dec-2023  
Document ID:

Customer:

Motor Type	ODP				
Output Rating (HP)	125	FL Speed	1788		
Full Load Torque	353.1 lb.ft	LRT (%FLT)	230	460 volt FLA	136.2
Rotor Wk <sup>2</sup>	0.954 lb-ft <sup>2</sup>	BDT (%FLT)	275	230 volt FLA	272.4



# NAMEPLATE / WIRING

WorldWide Electric Corporation

1 (800) 808-2131

Worldwideelectric.net



Premium Efficiency Motor: **ODP125-18-405TC**

Document Generated: 11-Dec-2023  
Document ID:

Customer:

## SAMPLE NAMEPLATE DATA

		<b>OPEN DRIP PROOF 3 PHASE MOTOR</b>							CC306B																			
Model :		Encl : ODP		SN :		<table border="0"> <tr> <td>7</td><td>8</td><td>9</td> </tr> <tr> <td>6</td><td>4</td><td>5</td> </tr> <tr> <td>12</td><td>10</td><td>11</td> </tr> <tr> <td>1</td><td>2</td><td>3</td> </tr> <tr> <td>L1</td><td>L2</td><td>L3</td> </tr> <tr> <td colspan="3">230 V</td> </tr> </table>					7	8	9	6	4	5	12	10	11	1	2	3	L1	L2	L3	230 V		
7	8	9																										
6	4	5																										
12	10	11																										
1	2	3																										
L1	L2	L3																										
230 V																												
HP :	Poles :	FR:	Ins : F	IP23	Max Amb 40°C	Duty:Cont																						
Hz : 60	CODE :		Hz : 50		Design : B																							
Volts : 230/460	P.F. :		Volts : 190/380		DE BRG :																							
Amps :	Eff : %		Amps :		ODE BRG :																							
RPM :	S.F. : 1.15		RPM :		WT : LBS																							
				S.F. : 1.0		Date :		<table border="0"> <tr> <td>7</td><td>8</td><td>9</td> </tr> <tr> <td>4</td><td>5</td><td>6</td> </tr> <tr> <td>12</td><td>10</td><td>11</td> </tr> <tr> <td>1</td><td>2</td><td>3</td> </tr> <tr> <td>L1</td><td>L2</td><td>L3</td> </tr> <tr> <td colspan="3">460 V</td> </tr> </table>			7	8	9	4	5	6	12	10	11	1	2	3	L1	L2	L3	460 V		
7	8	9																										
4	5	6																										
12	10	11																										
1	2	3																										
L1	L2	L3																										
460 V																												

<b>Model:</b> ODP125-18-405TC		<b>Encl:</b> ODP								
<b>HP:</b> 125	<b>Poles:</b> 4	<b>Frame</b> 404/5TC	<b>Ins Cl:</b> F	<b>IP</b> IP23						
<b>Hz:</b> 60	<b>Code:</b> E	<b>Hz:</b> 50	<b>Design:</b> B							
<b>Volts:</b> 230/460	<b>P.F.:</b> 0.87	<b>Volts:</b> 190/380	<b>DE Brg:</b> 6316							
<b>Amps:</b> 272.4/136.2	<b>Eff:</b> 95.4%	<b>Amps:</b> 332.4/166.2	<b>ODE Brg:</b> 6313							
<b>RPM:</b> 1788	<b>S.F.:</b> 1.15	<b>RPM:</b> 1485	<b>WT:</b> 1085 lbs.							
		<b>S.F.:</b> 1.0								