

DATA SHEET

Premium Efficiency Motor: **ODP125-36-404TSC,**

60 Hz

WorldWide Electric Corporation

1 (800) 808-2131

Worldwideelectric.net



Document Generated: 12-Dec-2023
Document ID:

Customer:

| MOTOR INFORMATION | |
|-------------------------|-----------------------------|
| HP | 125 |
| RPM | 3600 |
| Phase | 3 |
| Frequency | 60 |
| Voltage | 230/460 |
| Frame Size | 404/5TSC |
| Enclosure | ODP |
| Degree of Protection | IP23 |
| Service Factor | 1.15 |
| Poles | 2 |
| Full Load Speed | 3582 |
| Insulation Class | F |
| Temp Rise | 80°C |
| NEMA Code Letter | F |
| Duty Cycle | S1 / Continuous |
| Slip | 0.52% |
| NEMA Design | B |
| Moment of Inertia | 15.334 lb.ft.^2 |
| Locked Rotor Time (Hot) | 12 seconds |
| Sound Pressure Level | 89 dB(A) |
| Number of Starts | 2 Cold / 1 Hot |
| Max Ambient Temperature | 40°C |
| Max Elevation | 1000 m.a.s.l (3300 f.a.s.l) |
| Mounting | F1 |
| Rotation | Bi-Directional |
| Area of Classification | Safe Area |
| Inverter Rating | 10:1 CT / 20:1 VT |
| Standard | NEMA MG 1 |
| Approvals | UL, CE |

| EFFICIENCY/POWER FACTOR | | |
|-------------------------|--------|-------|
| LOAD | EFF | P. F. |
| 100% | 94.1 % | 0.91 |
| 75% | 96.1 % | 0.91 |
| 50% | 95.6 % | 0.87 |

| TORQUE | | |
|--------------|-------|-------|
| FULL LOAD | LRT | BDT |
| 176.6 lb.ft. | 275 % | 315 % |

| AMPERAGE INFORMATION | | |
|----------------------|---------|--------|
| | 230V | 460V |
| Full Load Amps | 257.6A | 128.8A |
| Locked Rotor Amps | 1709.4A | 854.7A |
| No Load Current | 52A | 26A |
| Usable at 208V | 142.42A | |

| BEARING INFORMATION | |
|-------------------------|------------------|
| DE Bearing | 6316 |
| ODE Bearing | 6313 |
| Grease Type | Mobil Polyrex EM |
| DE Regreasing Interval | 2400 Hours |
| ODE Regreasing Interval | 3600 Hours |
| Grease Quantity | 26g/12g |

| ADDITIONAL DATA | |
|--------------------|---------------|
| F2 Suitable | Yes |
| Shaft Material | AISI 1045 |
| Connection Diagram | 12 Lead Delta |
| Approximate Weight | 1083 lbs. |

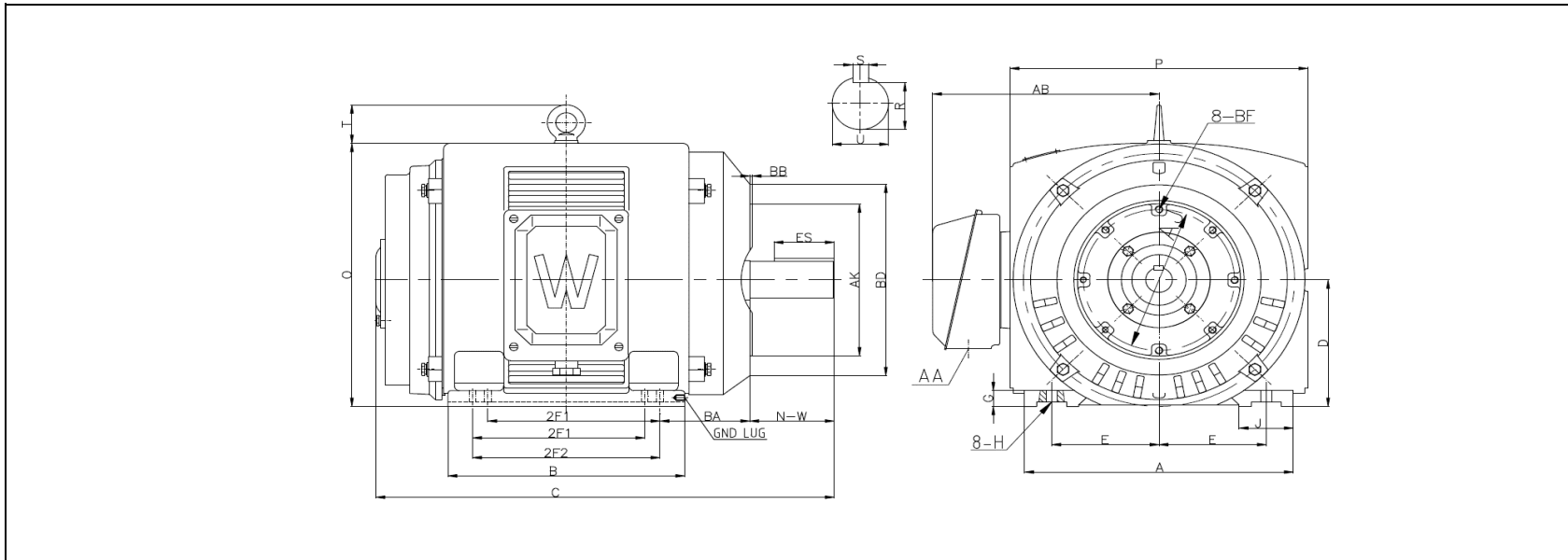
MOTOR DRAWING

Premium Efficiency Motor: **ODP125-36-404TSC**

WorldWide Electric Corporation

1 (800) 808-2131

Worldwideelectric.net



DIMENSION - INCHES

| MOUNTING | | | | | A | B | C | D | G | P | O | T | AB |
|----------|-------|-------|------|------|----|------|------|----|------|------|------|---|-------|
| E | 2F1 | 2F2 | H | BA | | | | | | | | | |
| 8 | 12.25 | 13.75 | 0.81 | 6.62 | 20 | 17.6 | 30.7 | 10 | 1.18 | 21.3 | 20.3 | 3 | 16.93 |

| SHAFT & KEY | | | | |
|-------------|------|-------|------|-------|
| S | ES | R | N-W | U |
| 0.5 | 2.78 | 1.845 | 4.25 | 2.125 |

| T-BOX | GND LUG |
|-------|-----------|
| AA | |
| 3 | M12*P1.75 |

| FLANGE | | | | |
|--------|------|----|--------------|------|
| AK | BD | AJ | BF | BB |
| 12.5 | 15.5 | 11 | 8*5/8-11 UNC | 0.25 |

PERFORMANCE CURVES

WorldWide Electric Corporation

1 (800) 808-2131

Worldwideelectric.net

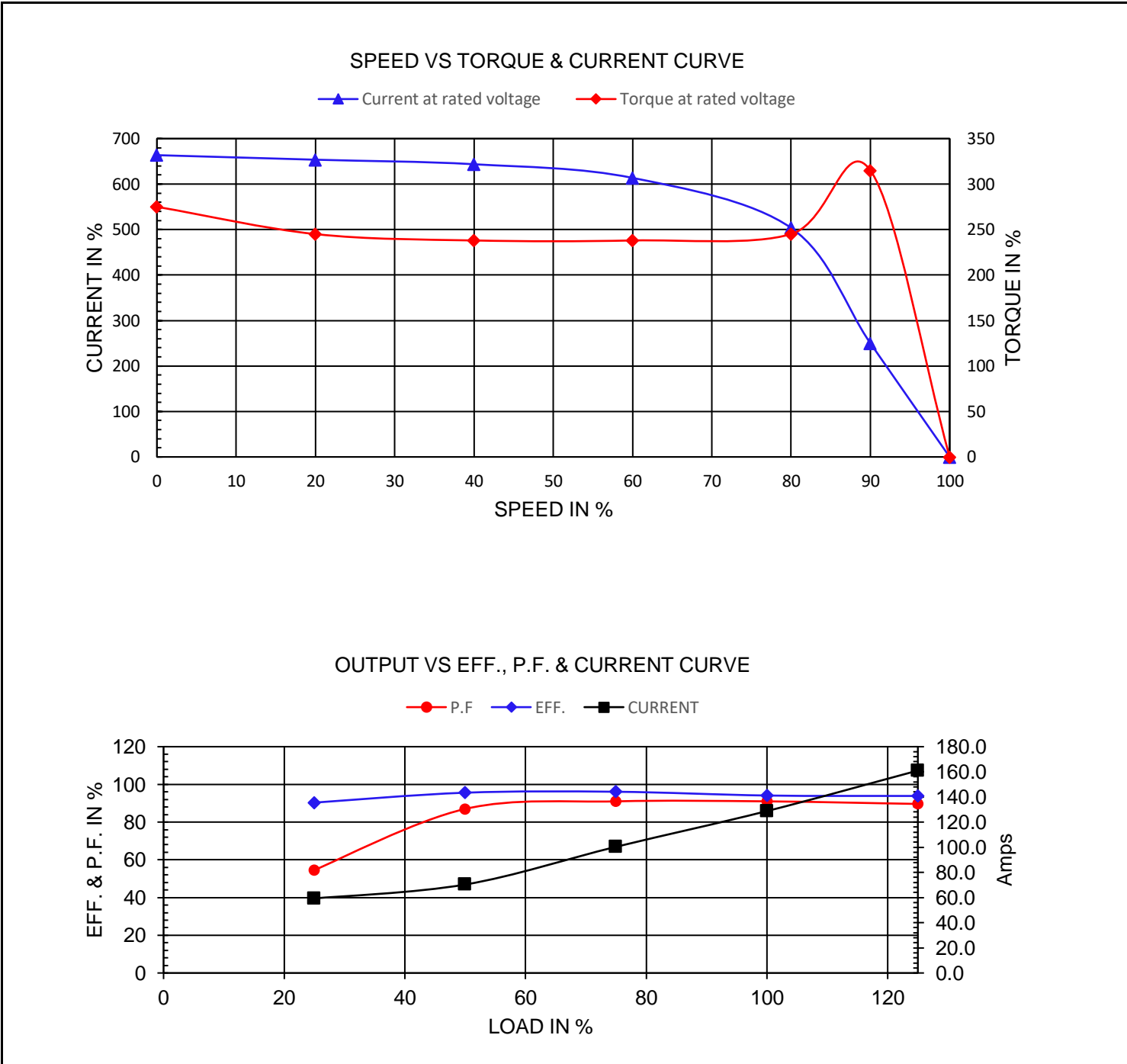


Premium Efficiency Motor:

ODP125-36-404TSC

| | |
|---------------------------------|-----------|
| Document Generated: 12-Dec-2023 | Customer: |
| Document ID: | |

| | | | | | |
|-----------------------|--------------------------|------------|------|--------------|-------|
| Motor Type | ODP | | | | |
| Output Rating (HP) | 125 | FL Speed | 3582 | | |
| Full Load Torque | 176.6 lb.ft | LRT (%FLT) | 275 | 460 volt FLA | 128.8 |
| Rotor Wk ² | 0.941 lb-ft ² | BDT (%FLT) | 315 | 230 volt FLA | 257.6 |



NAMEPLATE / WIRING

WorldWide Electric Corporation

1 (800) 808-2131

Worldwideelectric.net



Premium Efficiency Motor: **ODP125-36-404TSC**

Document Generated: 12-Dec-2023
Document ID:

Customer:

SAMPLE NAMEPLATE DATA

| | | | | | | | | |
|---------------------------------------|-------------------|--|------------------------|-------------|---------------------|------------------|--|--------------|
| | | OPEN DRIP PROOF 3 PHASE MOTOR | | | | | | |
| Model : | | Encl : ODP | | SN : | | | | |
| HP : | Poles : | FR: | Ins : F | IP23 | Max Amb 40°C | Duty:Cont | | |
| Hz : 60 | CODE : | | Hz : 50 | | Design : B | | | |
| Volts : 230/460 | P.F. : | | Volts : 190/380 | | DE BRG : | | | |
| Amps : | Eff : % | | Amps : | | ODE BRG : | | | |
| RPM : | S.F : 1.15 | | RPM : | | WT : LBS | | | |
| | | | S.F : 1.0 | | Date : | | | |
| WorldWide Electric Corporation | | | | | | | | 460 V |

| | | | | | | | |
|--------------------------------|-------------------|--------------------------|----------------------|----------------|--|--|--|
| Model: ODP125-36-404TSC | | Encl: ODP | | | | | |
| HP: 125 | Poles: 2 | Frame 404/5TSC | Ins Cl: F | IP IP23 | | | |
| Hz: 60 | Code: F | Hz: 50 | Design: B | | | | |
| Volts: 230/460 | P.F.: 0.91 | Volts: 190/380 | DE Brg: 6316 | | | | |
| Amps: 257.6/128.8 | Eff: 94.1% | Amps: 314.4/157.2 | ODE Brg: 6313 | | | | |
| RPM: 3582 | S.F.: 1.15 | RPM: 2975 | WT: 1083 lbs. | | | | |
| | | S.F.: 1.0 | | | | | |